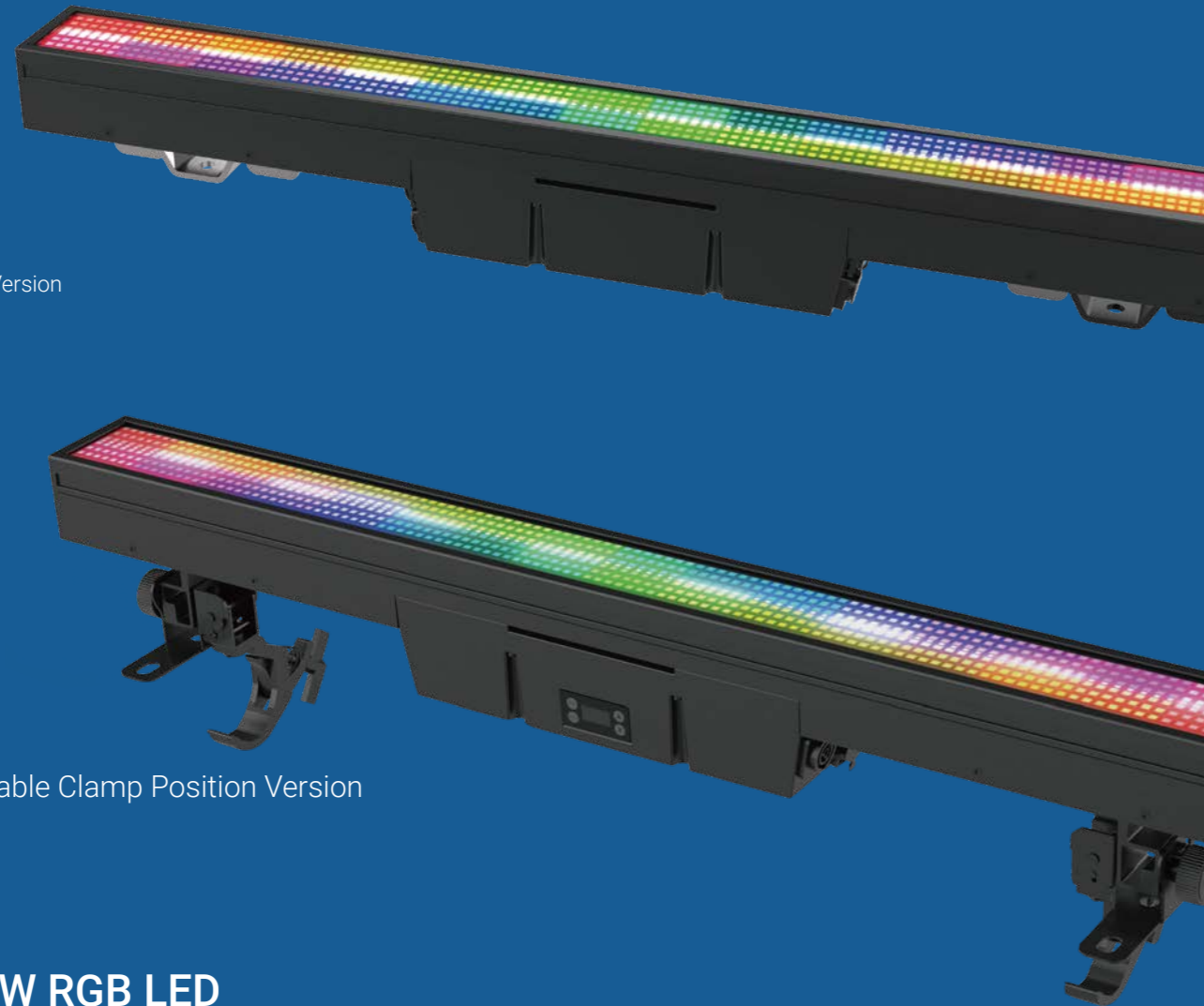


PIXEL LINE IP

STROBE 3 IP



Omega Brackets Version

Sliding Adjustable Clamp Position Version

Light Source

672 x 0.5W RGB LED
112 x 3W CW LED

Beam Angle

RGB Beam Angle: 101°

CW Beam Angle: 108°

Field Angle

RGB Field Angle: 149°

CW Field Angle: 152°

Protection Rating

IP66



Color Mapping



Full Open Transparent



Linear Strobe



Full Open by Frosted

Main Features

Light Source:

672pcs 0.5W RGB LED

(can be divided into 32 controllable sections)

112pcs 3W CW LED

(can be divided into 16 controllable sections)

DMX Controllable Smart Glass technology

Patent No.:

CN216010577U

US11698183B1

DE202023101966U1

FR3134870B3

Outstanding color effects

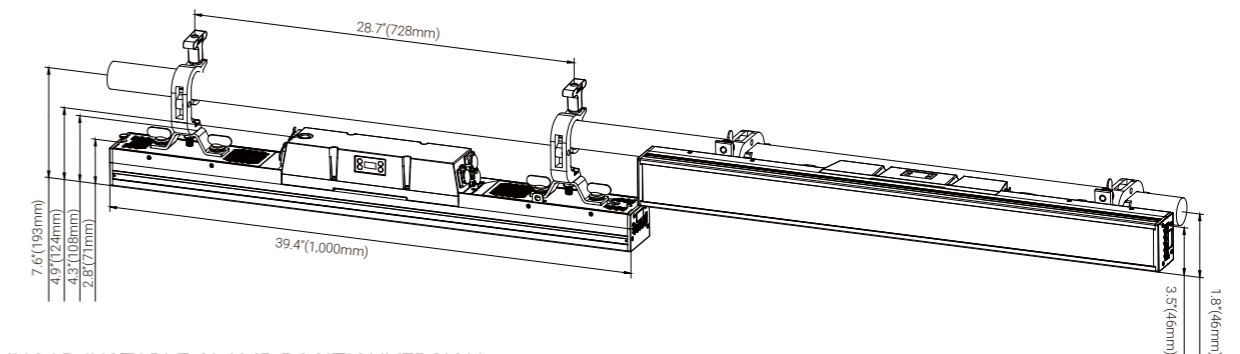
High output strobe effects

Multiple units can be connected tool free

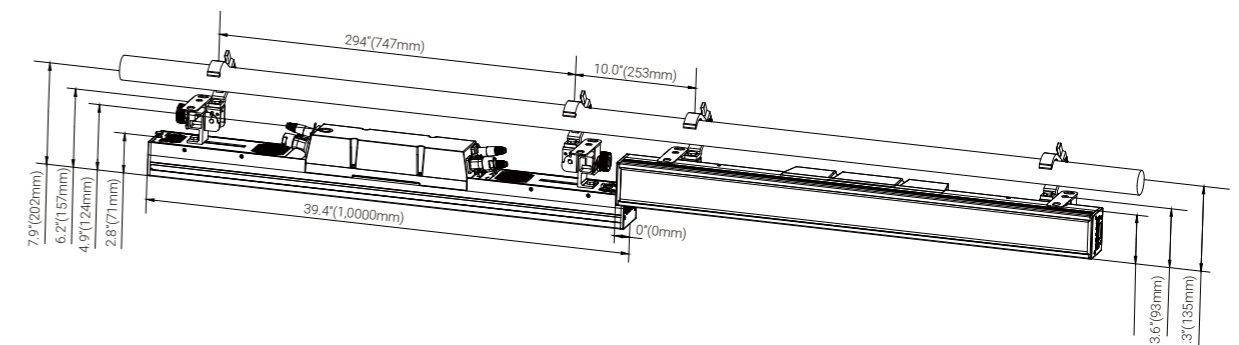
Four dimming curves

Technical Specifications

1. OMEGA BRACKETS VERSION



2. SLIDING ADJUSTABLE CLAMP POSITION VERSION



Version

- Vesion1: STROBE 3 IP (Omega Bracket Mounting)
- Vesion 2: STROBE 3 IPS (Sliding Adjustable Clamp)
- Note: Different vesions cannot be connected together

Light Source

- Light Source:
672 x 0.5W RGB LED
112 x 3W CW LED
- Color Temperature Output of Fixture: 5,500K-7,000K
- Total Lumen Output of Fixture: 21,900 lumens
- Life Expectancy: 30,000 hours*

*Source manufacturer specification

Optical System

- Beam Angle:
RGB Beam Angle: 101°
CW Beam Angle: 108°
- Field Angle:
RGB Field Angle: 149°
CW Field Angle: 152°

Other Effects

- Outstanding strobe effect with variable speed
- Smooth dimming 0-100%
- Outstanding color effects

Control

- 4 touch button control panel
- Display: OLED display
- Protocols: DMX512, RDM, Art-Net, sACN
- DMX Protocol Modes: 11
- Control Channels: 7/15/17/21/33/39/65/68/70/112/117
- Firmware Upgrade: Upgrade via DMX link

Electrical and Connectors

- Input Voltage Range: 100-240Vac; 50/60Hz
- Power Consumption: 420W
- Power In/Out: Waterproof connections
- Data In/Out: 3-pin or 5-pin waterproof XLR, RJ45 connector

Physical Information

- Fixture Dimensions:
Version 1 with Omega Brackets:
1,000 x 90 x 124 mm (39.4" x 3.5" x 4.9")
Weight: 7.3 kg (16.1 lbs)
- Version 2 with Sliding Adjustable Clamp:
1,000 x 192 x 237 mm (39.4" x 7.6" x 9.3")
Weight: 8.3 kg (18.3 lbs)

Packing Information

- Flight Case Dimensions 1 :
1,196 x 580 x 750 mm (47.1" x 22.8" x 29.5")
Weight :
Standard :
G.W.: 126.5 kg (278.9 lbs) (eight-pack loader case)
- Flight Case Dimensions 2 :
1,209 x 565 x 655 mm (47.6" x 22.2" x 25.8")
Weight :
Standard :
G.W.: 115 kg (253.5 lbs) (eight-pack loader case)
- Flight Case Dimensions 3 :
1,220 x 610 x 830 mm (48.0" x 24.0" x 32.7")
Weight :
North American Standard :
G.W.: 140.5 kg (309.8 lbs) (eight-pack loader case)
- Carton Dimensions:
1,085 x 195 x 320 mm (42.7" x 7.7" x 12.6")
Weight: 10.5 kg (23.0 lbs) (one-pack loader carton)

Work Environment

- Maximum Ambient Temperature: 40°C
- Minimum Operating Temperature: -10°C
- Maximum Surface Temperature: 65°C
- Protection Rating: IP66

Installation

- Horizontal or vertical mounting
- Universal working position
- 2, omega brackets (optional with 2 foldable fixed clamps)
- Safety cable attachment point

Included Items

- Digital User Manual
- Power Cable
- 2 omega brackets (optional with 2 foldable fixed clamps)

Optional Accessories (with item code)

- Flight Case 1:
Standard : Eight-pack loader case (63582731)
Flight Case 2:
Standard : Eight-pack loader case (63582662)
Flight Case 3:
North American Standard : Eight-pack loader case (63582905)
- Safety Cable: SW-02 (2060000200)
- Signal Cable: 3-pin waterproof signal cable (3017013468) or
5-pin waterproof signal cable (3017013473)
- Customized Foldable Clamps & Floor Stand w/ Omega Bracket (63582498)
- Customized Floor Stand w/ Omega Bracket (63582956)
- Customized Floor Stand w/o Omega Bracket (63582554)

1.Omega Brackets Version



Customized Floor Stand w/o Omega Bracket (63582554)



Customized Floor Stand w/ Omega Bracket (63582956)



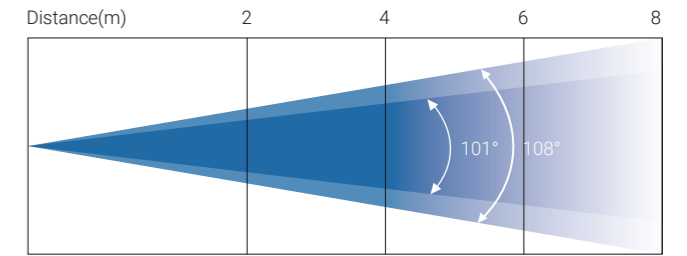
Customized Foldable Clamps & Floor Stand w Omega Bracket (63582498)

2.Sliding Adjustable Clamp Position Version



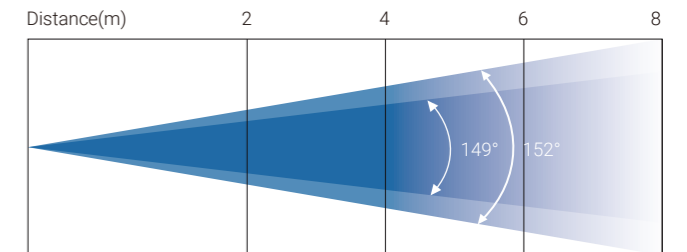
Photometric (Images)

Beam Angle:



	2	4	6	8
101° RGB Lux	1,163	291	129	73
Diameter(m)	4.8	9.7	14.5	19.4
108° CW Lux	2,919	730	324	182
Diameter(m)	5.7	11.0	16.0	21.7

Field Angle:



	2	4	6	8
149° RGB Lux	1,163	291	129	73
Diameter(m)	14.2	28.4	42.6	56.8
152° CW Lux	2,919	730	324	182
Diameter(m)	16.4	32.8	49.0	61.0



Specifications subject to change without notice. 12/19/2024