

THUNDER IP

BL 200 CP IP



Light Source

1,188 x 0.8W RGBW LED

Field Angle

110°

Total Lumen Output of Fixture

39,000 lumens

Protection Rating

IP66

Acme

THUNDER IP



Main Features

LED engine comprised of 1,188 x 0.8W RGBW LED

Field Angle: 110°

Total Lumen Output of Fixture: 39,000 lumens

IP66 rated

Smooth dimming 0-100% (4 user selectable dimming curves)

Variable CTO ranging from 2,500K-8,000K

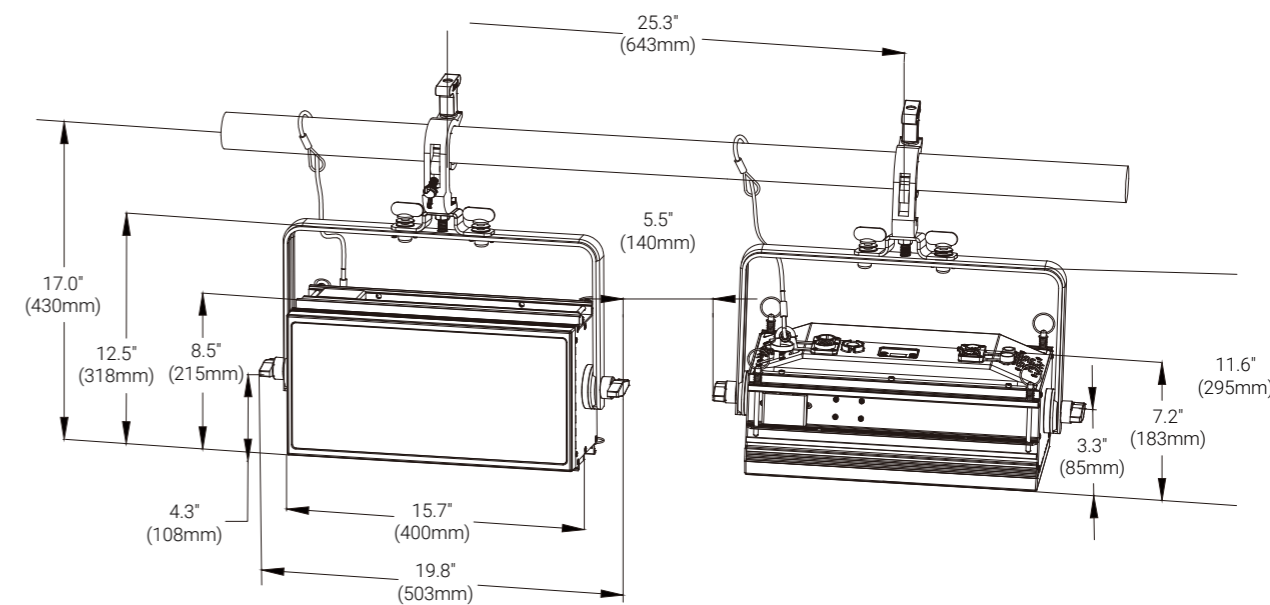
Outstanding strobe effect with variable speed

3 individually controllable LED zones

Integrated interlocking system for combining units

Excellent RGBW color mixing

Technical Specifications



Light Source

- Light Source: 1,188 x 0.8W RGBW LED
- 3 individually controllable LED zones
- Total Lumen Output of Fixture: 39,000 lumens
- Life Expectancy: 20,000 hours*

*Source manufacturer specification

Optical System

- Field Angle: 110°

Colors

- Linear CTO Color Correction: 2,500K-8,000K



Other Effects

- Excellent RGBW color mixing
- Outstanding strobe effect with variable speed
- Smooth dimming 0-100%

Control

- 4 touch button control panel
- Display: LCD display
- Protocols: DMX512, RDM
- DMX Protocol Modes: 5
- Control Channels: 4/8/8(16 bit)/9(16 bit)/16
- Firmware Upgrade: Upgrade via DMX link

Electrical and Connectors

- Input Voltage Range: 100-240Vac; 50/60Hz
- Power Consumption: 860W
- Power In/Out: Waterproof power connector in/out
- Data In/Out: 3-pin or 5-pin waterproof XLR
- Maximum Quantity of Connections:
230V, 50Hz: 4 units
120V, 60Hz: 3 units

Physical Information

- Fixture Dimensions:
503 x 183 x 318 mm (19.8" x 7.2" x 12.5")
- Weight: 10 kg (22.0 lbs)

Packing Information

- Flight Case Dimensions (Four-Pack Loader Case):
1,075 x 565 x 535 mm (42.3" x 22.2" x 21.1")
- Weight:
Standard:
G.W.: 88 kg (194.0 lbs) (four-pack loader case)
- Flight Case Dimensions (Eight-Pack Loader Case):
1,220 x 610 x 690 mm (48.0" x 24.0" x 27.2")
- Weight:
Standard:
G.W.: 141.5 kg (312.0 lbs)
- North American Standard:
G.W.: 148.7 kg (327.8 lbs)
- Carton Dimensions:
575 x 405 x 275 mm (22.6" x 15.9" x 10.8")
- Weight:
G.W.: 13 kg (28.7 lbs) (one-pack loader carton)

Work Environment

- Maximum Ambient Temperature: 40°C
- Minimum Operating Temperature: -10°C
- Maximum Surface Temperature: 65°C
- Protection Rating: IP66

Installation

- Horizontal or vertical mounting
- Universal working position
- 1 clamp for 50mm truss
- 1 omega bracket
- Integrated interlocking system for combining units
- Vertical: Using one small hanging bracket (supplied) with clamp (by others), a maximum of 4 fixtures may be connected
- Using one or two small hanging brackets (supplied) with clamp (by others), a maximum of 2 layers (3 fixtures) may be connected
- Utilizing one large double vertical hanging bracket assembly (sold separately), a maximum of 2 fixtures may be connected
- Safety cable attachment point

Included Items

- Digital user manual
- Power cable
- 1 omega bracket (3002003002)
- Small hanging bracket (50137301701100)
- Large Hanging Bracket w/o Omega Bracket (63582342)

Optional Accessories (With Order Code)

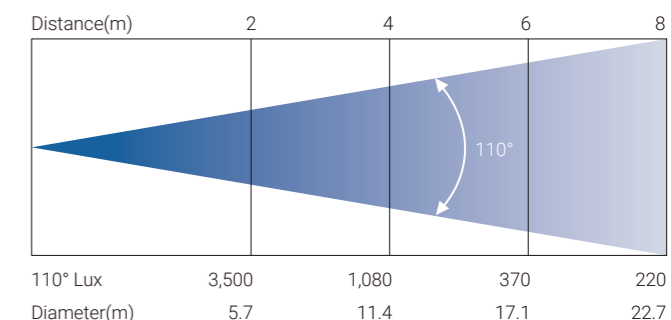
- Flight Case 1:
Standard : Four-pack loader case (63583604)
- Flight Case 2:
Standard : Eight-pack loader case (63583666)
- North American Standard : Eight-pack loader case (63583679)
- Clamps: C-250B (2060001632-B)
- Safety Cable: SW-05 (2060001603-A)
- Signal Cable: 3-pin waterproof signal cable (3017013468) or 5-pin waterproof signal cable (3017013473)
- Large Double Vertical Hanging Bracket Assembly: 63580738



Mounting Options



Photometric (Images)



Specifications subject to change without notice.
12/19/2024