

# SANDANE FROST

PAR 54 IP EF

Light Source

**55 x 6W RGBL LED**

Total Lumen Output of Fixture

**9,400 lumens**

Beam Angle

**18°, 36°, 53°**

Field Angle

**37°, 96°, 128°**

Protection Rating

**IP66**



Acme

SANDANE FROST



## Main Features

Light Source: 55 x 6W RGBL LED

Total Lumen Output of Fixture: 9,400 lumens

IP66 rated, can be outdoor use all year round

Compact size, light weight, high light efficiency, low energy consumption

Double bracket design, and multiple installation methods are available

Optional half or top hat

DMX Controllable Smart Glass technology:

Patent No.:

CN216010577U

US11698183B1

DE202023101966U1

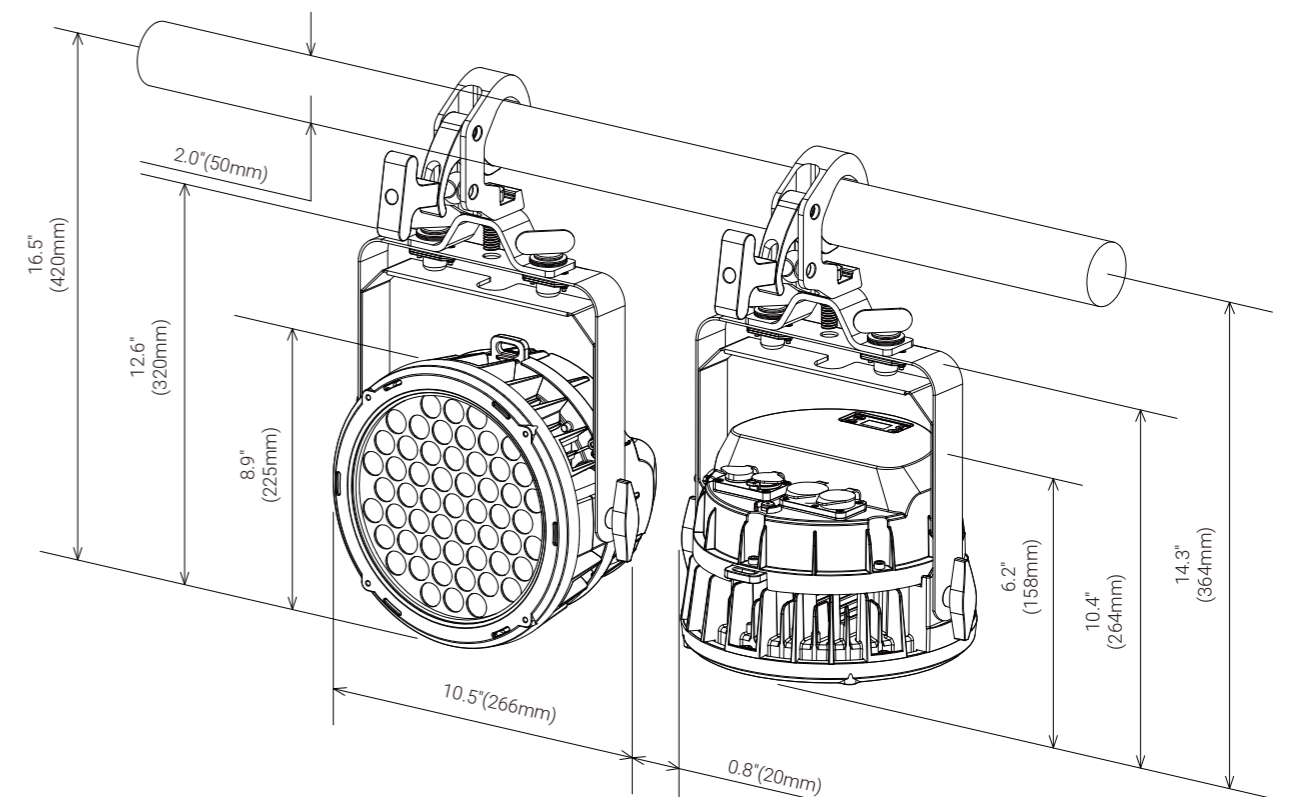
FR3134870B3

Variable CTO ranging from 2,500K-8,000K

Smooth dimming 0-100%

Outstanding strobe effect with variable speed

## Technical Specifications



**Light Source**

- Light Source: 55 x 6W RGBL LED
- Color Temperature Output of Fixture: 8,000K
- Total Lumen Output of Fixture: 9,400 lumens
- Life Expectancy: 20,000 hours\*

\*Source manufacturer specification

**Optical System**

- Beam Angle: 18°, 36°, 53°
- Field Angle: 37°, 96°, 128°

**Colors**

- CTO Color Correction: 2,500K-8,000K



**Other Effects**

- Outstanding strobe effect with variable speed
- Smooth dimming 0-100%
- Frost effect for different flood ranges



Frost effect

**Control**

- 4 touch button control panel
- Display: OLED display
- Operational Modes: DMX control, show mode
- Protocols: DMX512, RDM
- DMX Protocol Modes: 5
- Control Channels: 6/7/8/9/11
- Firmware Upgrade: Upgrade via DMX link

**Electrical and Connectors**

- Input Voltage Range: 100-240Vac; 50/60Hz
- Power Consumption: 215W
- Power In/Out: Waterproof power connector in/out
- Data In/Out: 5-pin waterproof XLR

**Physical Information**

- Fixture Dimensions  
266 x 158 x 320 mm (10.5" x 6.2" x 12.6")
- Weight: 5.0 kg (11.0 lbs)

**Packing Information**

- Flight Case Dimensions:  
1,220 x 610 x 630 mm (48.0" x 24.0" x 24.8")
- Weight:  
Standard:  
G.W.: 95 kg (209.4 lbs) (eight-pack loader case)  
North American Standard:  
G.W.: 104.2 kg (229.7 lbs) (eight-pack loader case)
- Carton Dimensions:  
405 x 355 x 270 mm (15.9" x 14.0" x 10.6")
- Weight: 6.5 kg (14.3 lbs) (one-pack loader carton)

**Work Environment**

- Maximum Ambient Temperature: 40°C
- Minimum Operating Temperature: -10°C
- Maximum Surface Temperature: 65°C
- Protection Rating: IP66

**Installation**

- Horizontally or vertically mounting
- Universal working position
- Dual mounting bracket (with omega bracket and clamp)
- Safety cable attachment point

**Included Items**

- Digital user manual
- Power cable

**Optional Accessories (With Order Code)**

- Signal Cable: 5-pin waterproof signal Cable
- Safety Cable: SW-02 (2060000200)
- Clamp: C-150B (2060001625-C)
- Flight Case:  
Standard: Eight-pack loader case (63583570)  
North American Standard: Eight-pack loader case (63583510)
- Half Hat: 63582245 (black)
- Top Hat: 63582244 (black)
- Outdoors Barndoor: 63582720 (black)

**Optional Half Hat, Top Hat And Barndoor**

1.Top Hat



2.Half Hat

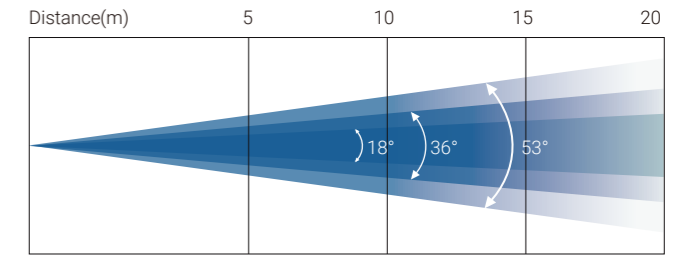


3.Outdoors Barndoor



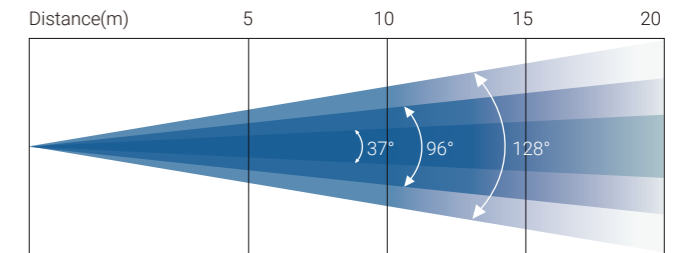
**Photometric (Images)**

Beam Angle:



18° RGLB Lux	1,514	379	168	95
Diameter(m)	1.6	3.2	4.9	6.5
36° RGLB Lux	215	54	24	13
Diameter(m)	3.3	6.5	9.8	13.0
53° RGLB Lux	125	31	19	8
Diameter(m)	5.0	9.9	15.0	19.8

Field Angle:



37° RGLB Lux	1,514	379	168	95
Diameter(m)	3.4	6.7	10.1	13.5
96° RGLB Lux	215	54	24	13
Diameter(m)	11.1	22.2	33.2	44.3
128° RGLB Lux	125	31	19	8
Diameter(m)	20.4	40.7	61.1	81.4



Specifications subject to change without notice.  
12/23/2024