

LINEFORCE 10 IP

CYC 10 IP



Light Source

10 x 120W RGBWAC+UV LEDs

Total Lumen Output of Fixture

21,200 lumens

Beam Angle

14°-55°

Field Angle

28°-133°

Protection Rating

IP66

Acme

LINEFORCE 10 IP



Optional Accessories:
Glare Shield(63583730)

Main Features

LED engine comprised of 10 x 120W RGBWAC+UV LEDs

Beam Angle: 14°-55°

Field Angle: 28°-133°

HCRI Mode: Ra≥92

Total Lumen Output of Fixture: 21,200 lumens

Variable CTO ranging from 2,500K-8,000K

Outstanding strobe effect with variable speed

Smooth dimming 0-100%

IP66 rated

Integrated interlocking system for combining units

Three fan modes to meet the noise requirements of each scenario

Mounted with the floor stands, it achieves 180° tilt movement

With an ultra-narrow bezel design, it achieves a 90% light-to-screen ratio

DMX controllable Smart Glass technology

Patent No.:

CN216010577U

US11698183B1

DE202023101966U1

FR3134870B3

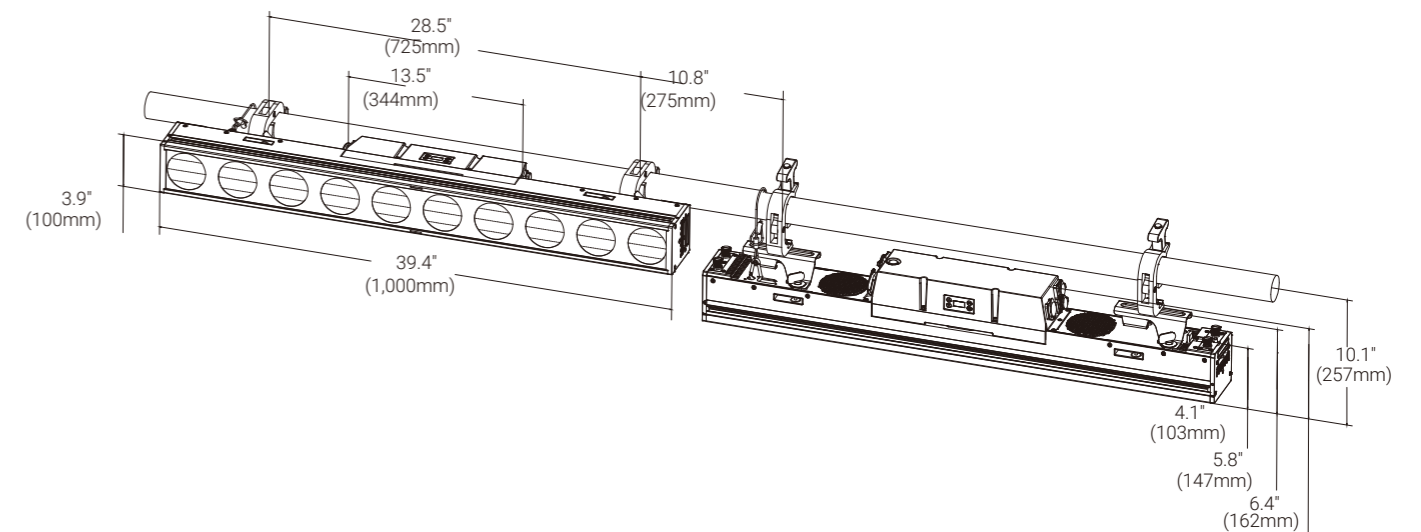
The electronic frost system was divided into four controllable zones, allowing multiple combinations

Tungsten emulation

Individual pixel control and built-in color macro effects

Uniform wash effect

Technical Specifications



Light Source

- Light Source: 10 x 120W RGBWAC+UV LEDs
 - Total Lumen Output of Fixture: 21,200 lumens
 - Life Expectancy: 20,000 hours*
- *Source manufacturer specification

Optical System

- HCRI Mode: Ra≥92
- Beam Angle: 14°-55° Field Angle: 28°-133°
- DMX controllable Smart Glass technology Patent No.:
- CN216010577U
- US11698183B1
- DE202023101966U1
- FR3134870B3

Colors

- Linear CTO Color Correction: 2,500K-8,000K



Other Effects

- Outstanding strobe effect with variable speed
- Smooth dimming 0-100%
- The electronic frost system was divided into four controllable zones, allowing multiple combinations
- Tungsten emulation
- Three fan modes to meet the noise requirements of each scenario
- Mounted with the floor stands, it achieves 180° tilt movement
- With an ultra-narrow bezel design, it achieves a 90% light-to-screen ratio
- Uniform wash effect
- Equipped with an inventive quick-release mechanism that allows you to quickly connect and align multiple fixtures

Control

- 4 button touch control panel
- Display: OLED display
- Protocols: DMX512, RDM, Art-Net, sACN
- DMX Protocol Modes: 2
- Control Channels: 16/79
- Firmware Upgrade: Upgrade via DMX link

Electrical and Connectors

- Input Voltage Range: 100-240Vac; 50/60Hz
- Power Consumption: 625W
- Power In/Out: Waterproof power connector in/out
- Data In/Out: 3-pin or 5-pin waterproof XLR, waterproof RJ45 connector

Physical Information

- Fixture Dimensions: 1,000 x 226 x 229 mm (39.4" x 8.9" x 9.0")
- Weight: 15.6 kg (34.4 lbs)

Packing Information

- Flight Case Dimensions: 1,220 x 610 x 850 mm (48.0" x 24.0" x 33.5")
- Weight: Standard: G.W.: 162 kg (357.2 lbs) (six-pack loader case) North American Standard: G.W.: 197 kg (434.3 lbs) (eight-pack loader case)
- Carton Dimensions: 1,105 x 335 x 200 mm (43.5" x 13.2" x 8.0")
- Weight: G.W.: 17.5 kg (38.6 lbs) (one-pack loader carton)

Work Environment

- Maximum Ambient Temperature: 40°C
- Minimum Operating Temperature: -10°C
- Maximum Surface Temperature: 70°C
- Protection Rating: IP66

Installation

- Horizontal or vertical mounting
- Universal working position
- Horizontal: Utilizing two omega brackets (supplied) and clamps (by others), a maximum of 5 fixtures may be connected
- Vertical: Using one hanging bracket (sold separately) with clamp (by others), a maximum of 3 fixtures may be connected
- Vertical Stand: Mounted to one base stand (sold separately), stand single unit vertically, no other fixtures may be connected
- Floor: Utilizing two omega brackets (supplied) and two floor stands (supplied)
- Integrated interlocking system for combining units
- Safety cable attachment point

Included Items

- Digital user manual
- Power cable
- 2 omega brackets (63583930)
- 2 floor stands (63583843)

1. Horizontal mounting
Utilizing two omega brackets (supplied) and clamps (by others), a maximum of 5 fixtures may be connected



2. Vertical mounting
Using one hanging bracket (sold separately) with clamp (by others), a maximum of 3 fixtures may be connected



3. Vertical Stand mounting
Mounted to one base stand (sold separately), stand single unit vertically, no other fixtures may be connected



4. Floor mounting
Utilizing two omega brackets (supplied) and two floor stands (supplied)



Optional Accessories (With Order Code)

- Flight Case: Standard: Six-pack loader case (63583830) North American Standard: Eight-pack loader case(63583785)
- Hanging Bracket: 63582969
- Base Stand: 63582785
- Glare Shield: 63583730
- Diffuser Filter (10°): 3005006302
- Diffuser Filter (40° x 20°): 3005006303
- Signal Cable: 3-pin waterproof signal cable (3017013468) or 5-pin waterproof signal cable (3017013473)
- Safety Cable: SW-05 (2060001603-A)
- Clamp: C-250B (2060001632-B)

Photometric (Images)

Beam Angle:

Distance m (ft)	1 (3.2)	2 (6.5)	3 (9.8)	4 (13.1)	5 (16.4)
14° Lux	94,800	23,700	10,553	5,925	3,792
Diameter m (ft)	0.3 (1)	0.5 (1.6)	0.7 (2.3)	1 (3.3)	1.2 (3.9)
55° Lux	11,520	2,880	1,280	720	460
Diameter m (ft)	1 (3.3)	2.1 (6.9)	3.1 (10.2)	4.1 (13.4)	5.2 (17.1)

Field Angle:

Distance m (ft)	1 (3.2)	2 (6.5)	3 (9.8)	4 (13.1)	5 (16.4)
28° Lux	94,800	23,700	10,553	5,925	3,792
Diameter m (ft)	0.5 (1.6)	1 (3.3)	1.5 (4.9)	2 (6.6)	2.5 (8.2)
133° Lux	11,520	2,880	1,280	720	460
Diameter m (ft)	4.6 (15.1)	9.2 (30.2)	13.8 (45.3)	18.4 (60.4)	23 (75.4)



Specifications subject to change without notice. 03/28/2025