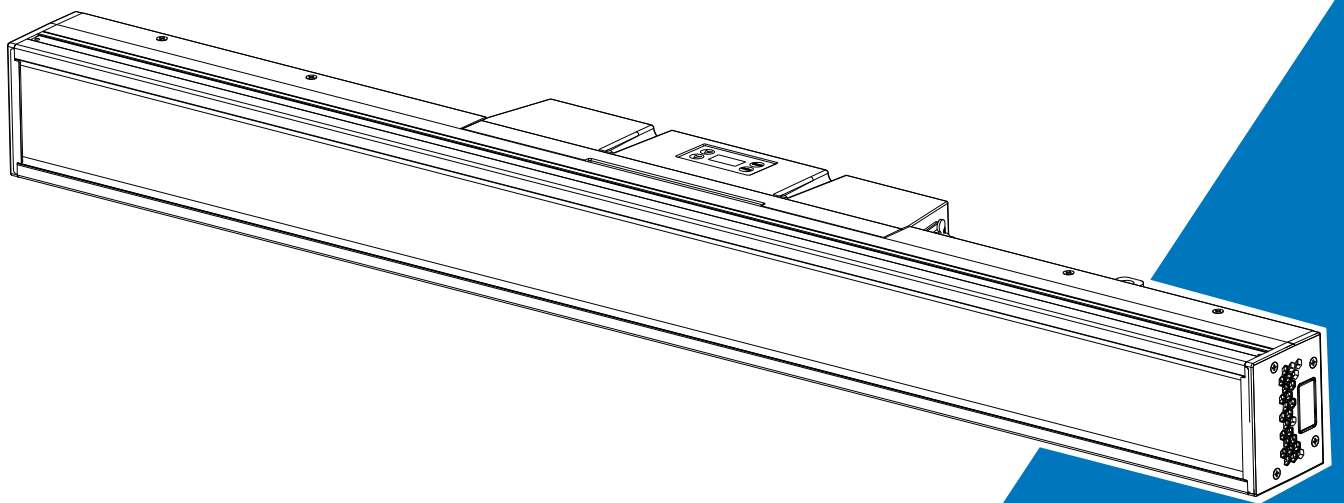




PIXEL LINE IP



User Manual

Please read the instruction carefully before use

CONTENTS

01/ Safety Information.....	2
02/ Technical Specifications	8
03/ Overview.....	10
04/ Connecting Power and Data	11
4.1 Connecting Power.....	11
4.2 Connecting Data.....	12
05/ Fixture Installation.....	13
06/ Operation.....	17
6.1 Control Menu.....	17
6.2 Home Position Adjustment	28
07/ Configuring the Device for DMX Control.....	32
7.1 Address Setting.....	32
7.2 DMX Protocol	33
08/ Error Information	48
09/ Troubleshooting	49
10/ Fixture Cleaning.....	50
11/ Approvals and Certifications	51

01/ Safety Information



Please read the instruction carefully which includes important information about the installation, usage and maintenance.

WARNING

Please keep this User Manual for future consultation. If you sell the unit to another user, be sure that they also receive this instruction manual.

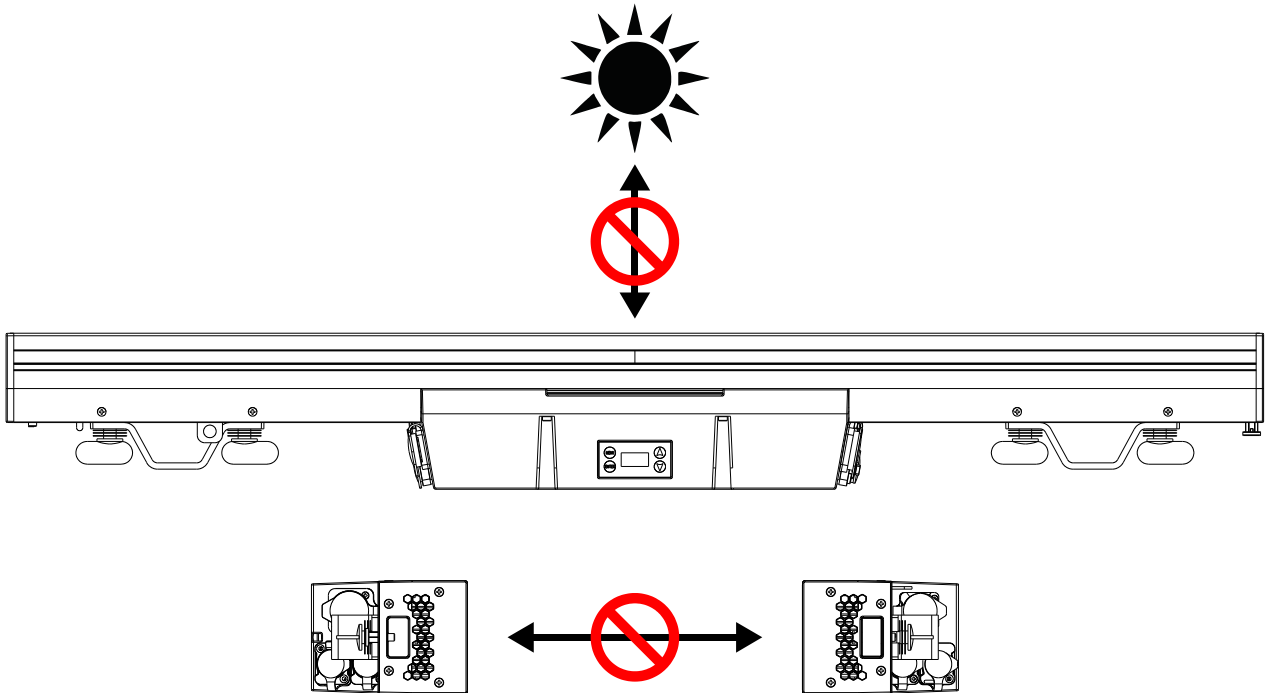
Important:

Damages caused by the disregard of this user manual are not subject to warranty. The dealer will not accept liability for any resulting defects or problems.

- Unpack and check carefully to ensure that there is no transportation damage before using the unit.
- This product is suitable for wet locations. Do not immerse in water.
- DO install and operate by qualified operator.
- DO NOT allow children to operate the fixture.
- Use safety chain when fixing the unit. Handle the unit by carrying its base instead of head only.
- The unit must be installed in a location with adequate ventilation, at least 50cm from adjacent surfaces.
- Be sure that no ventilation slots is blocked, otherwise the unit will be overheated.
- Before operation, ensure that you are connecting this product to the proper voltage in accordance with the specifications in this manual or on the product's specification label.
- It's important to ground the yellow/green conductor to earth in order to avoid electric shock.
- Minimum ambient temperature TA: -10°C. Maximum ambient temperature TA: 40°C. Do not operate this product at a lower or higher temperature.
- DO NOT connect the device to any dimmer pack.
- Keep flammable materials away from the fixture while operating to avoid fire hazard.
- Make sure the power cord is not crimped or damaged; replace it immediately if damaged.
- Unit's surface temperature may reach up to 65°C. DO NOT touch the housing bare-handed during its operation.

- Avoid any flammable liquids, water or metal from entering the unit. Once it happens, cut off the mains power immediately.
- DO NOT operate in a dirty or dusty environment. DO clean the fixture regularly.
- DO NOT touch any wire during operation as there might be a hazard of electric shock.
- Avoid entanglement of the power cord with other wires.
- The minimum distance to objects/surface must be more than 0.5 meters.
- In the event of serious operating problem, stop using the unit immediately.
- Never turn on and off the unit time after time.
- The housing, the lenses, or the ultraviolet filter must be replaced if they are visibly damaged.
- DO NOT open the housing as there are no user serviceable parts inside.
- DO NOT attempt to operate this unit if it becomes damaged. DO NOT attempt any repairs yourself. Repairs carried out by unskilled people can lead to damage or malfunction. Please contact the nearest authorized technical assistance center if needed.
- Disconnect this product from its power source before servicing.
- DO use the original packaging if the device is to be transported.
- Avoid direct eye exposure to the light source while the product is on.
- DO NOT operate this product if you see damage on the housing, shields, or cables. Have the damaged parts replaced by an authorized technician at once.
- The device MUST NOT be switched on immediately if it has been exposed to strong temperature fluctuations (e.g. after transport) as condensation may occur inside. Please leave the device switched off until it has reached to room temperature.

- External sources of light beams from direct sunlight or any other strong light source, which penetrate the front lens of lighting fixtures, can cause severe internal damage. DO NOT expose the fixture front lens to light beams from direct sunlight or any other strong light source from any angle while unpacking, installation, use, and extended idle times outdoors. DO NOT focus a light beam from one lighting fixture directly towards another.



01/ Informations de sécurité



AVERTISSEMENT

Veillez lire attentivement les instructions, car elles contiennent des informations importantes concernant l'installation, l'utilisation et la maintenance.

Veillez conserver ce manuel d'utilisation pour consultation future. Si vous vendez l'appareil à un autre utilisateur, assurez-vous qu'il reçoive également ce manuel d'instructions.

Important:

Les dommages causés par le non-respect de ce manuel d'utilisation ne sont pas couverts par la garantie. Le revendeur n'acceptera aucune responsabilité pour les défauts ou problèmes qui en résulteraient.

- Déballer et vérifier soigneusement qu'il n'y a pas de dommages dus au transport avant d'utiliser l'appareil.
- Ce produit est adapté aux endroits humides. Ne pas immerger dans l'eau.
- FAIRE installer et utiliser par un opérateur qualifié.
- NE PAS laisser les enfants manipuler l'appareil.
- Utiliser une chaîne de sécurité lors de la fixation de l'appareil. Manipuler l'appareil en portant sa base et non uniquement par la tête.
- L'appareil doit être installé dans un endroit bien ventilé, à au moins 50 cm des surfaces adjacentes.
- Assurez-vous qu'aucune fente de ventilation n'est obstruée, sinon l'appareil surchauffera.
- Avant utilisation, assurez-vous de connecter ce produit à la tension appropriée conformément aux spécifications de ce manuel ou à l'étiquette des spécifications du produit.
- Il est important de mettre le conducteur jaune/vert à la terre pour éviter tout risque de choc électrique.
- Température ambiante minimale (TA): -10°C. Température ambiante maximale (TA): 40°C. Ne pas utiliser ce produit à une température inférieure ou supérieure.
- NE PAS connecter l'appareil à un gradateur (dimmer pack).
- Éloigner les matériaux inflammables de l'appareil pendant son fonctionnement pour éviter tout risque d'incendie.

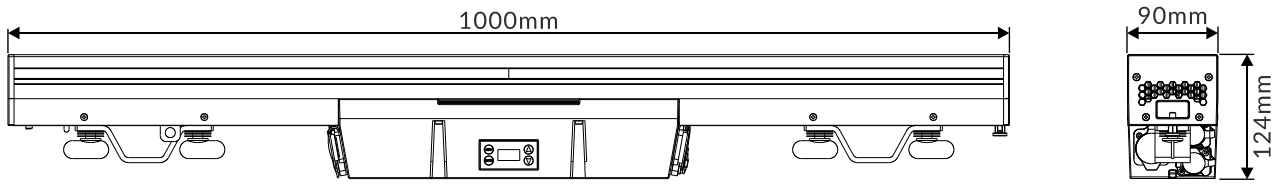
- Vérifier que le cordon d'alimentation n'est ni écrasé ni endommagé; le remplacer immédiatement s'il est endommagé.
- La température de surface de l'appareil peut atteindre jusqu'à 65°C. NE PAS toucher le boîtier à mains nues pendant son fonctionnement.
- Évitez que des liquides inflammables, de l'eau ou des objets métalliques ne pénètrent dans l'appareil. Si cela se produit, coupez immédiatement l'alimentation électrique.
- NE PAS utiliser l'appareil dans un environnement sale ou poussiéreux. Nettoyez régulièrement l'appareil.
- NE PAS toucher de fils pendant le fonctionnement, car cela pourrait présenter un risque de choc électrique.
- Évitez que le cordon d'alimentation ne s'emmêle avec d'autres fils.
- La distance minimale par rapport aux objets/surfaces doit être de plus de 0.5 mètres.
- En cas de problème de fonctionnement grave, cessez immédiatement d'utiliser l'appareil.
- Ne jamais allumer et éteindre l'appareil à plusieurs reprises.
- Le boîtier, les lentilles ou le filtre ultraviolet doivent être remplacés s'ils sont visiblement endommagés.
- NE PAS ouvrir le boîtier, car il ne contient aucune pièce pouvant être réparée par l'utilisateur.
- NE PAS tenter d'utiliser cet appareil s'il est endommagé. NE PAS tenter de réparations vous-même. Les réparations effectuées par des personnes non qualifiées peuvent entraîner des dommages ou un dysfonctionnement. Veuillez contacter le centre d'assistance technique agréé le plus proche si nécessaire.
- Débranchez l'appareil de sa source d'alimentation avant toute maintenance.
- UTILISEZ l'emballage d'origine si l'appareil doit être transporté.
- Évitez une exposition directe des yeux à la source lumineuse lorsque l'appareil est allumé.
- NE PAS utiliser ce produit si vous constatez des dommages sur le boîtier, les protections ou les câbles. Faites remplacer les pièces endommagées par un technicien agréé immédiatement.

- L'appareil NE DOIT PAS être allumé immédiatement s'il a été exposé à de fortes variations de température (par exemple après un transport), car de la condensation pourrait se former à l'intérieur. Veuillez laisser l'appareil éteint jusqu'à ce qu'il ait atteint la température ambiante.
- Les sources externes de rayons lumineux, comme la lumière directe du soleil ou toute autre source lumineuse intense, qui pénètrent à travers la lentille frontale des appareils d'éclairage, peuvent causer des dommages internes graves. NE PAS exposer la lentille frontale de l'appareil à des rayons lumineux provenant de la lumière directe du soleil ou de toute autre source lumineuse intense, sous quelque angle que ce soit, lors du déballage, de l'installation, de l'utilisation ou de périodes d'inactivité prolongées à l'extérieur. NE PAS diriger un faisceau lumineux d'un appareil d'éclairage directement vers un autre.

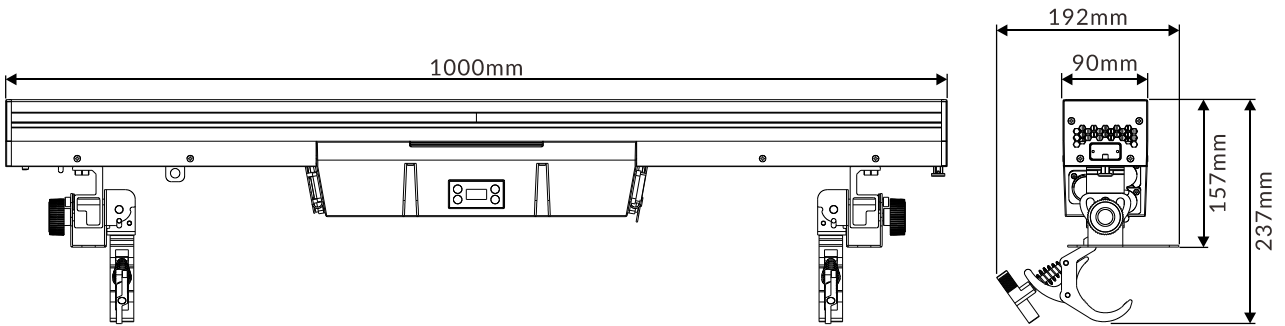
02/ Technical Specifications

AC Power	100-240Vac; 50/60Hz	
Max. Power Consumption	420W	
Light Source	672x0.5W RGB LED	
	112x3W CW LED	
Beam Angle	101° (RGB)	
	108° (CW)	
Field Angle	149° (RGB)	
	152° (CW)	
Control and Programming	DMX Channels	7/15/21/39/112/17/33/65/68/117/70
	Protocols	DMX512
		RDM
		Art-Net
sACN		
Firmware Update	via DMX	
Construction	Display	OLED display
	DMX and RDM Data In/Out	5-pin IP XLR (optional with 3-pin IP XLR)
		RJ45 Connectors
	Power In/Out	Waterproof Power Connector in/out
Protection Rating	IP66	
Dynamic Effects	32 x RGB LED zones with individual control	
	16 x CW LED zones with individual control	
	0-100% continuous dimming and strobe effects	
	Choice of four dimming curves	
	Outstanding color mixing	
	Frost: Variable 0%-100%	
	Equipped with an inventive quick-release mechanism that allows you to quickly connect and align multiple fixtures	
2 x sliding adjustable clamps for 50mm truss (version with sliding adjustable clamps)		
Dimensions	1000x90x124mm (version with omega brackets)	39.4"x3.5"x4.9"
	1000x192x237mm (version with sliding adjustable clamps)	39.4"x7.6"x9.3"
Weight	7.3 kg (version with omega brackets)	16.1 lbs
	8.3 kg (version with sliding adjustable clamps)	18.3 lbs

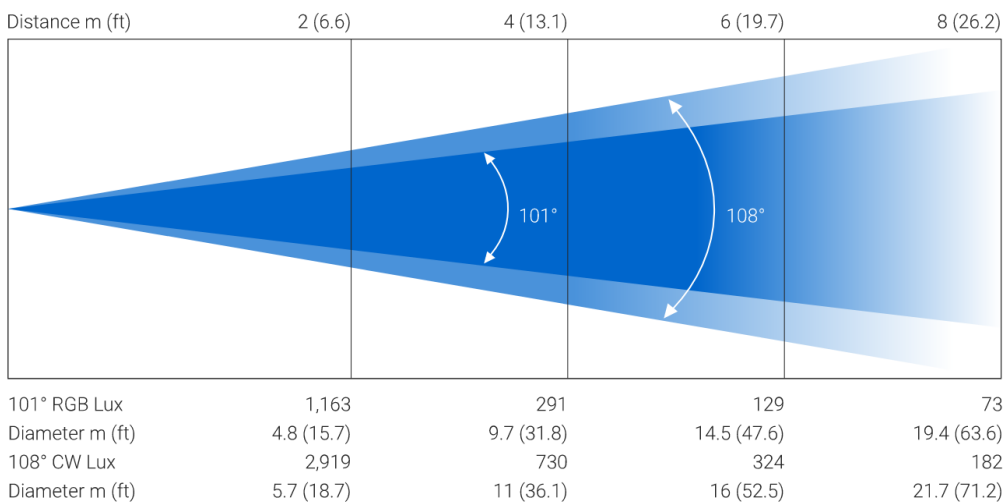
Version with omega brackets:



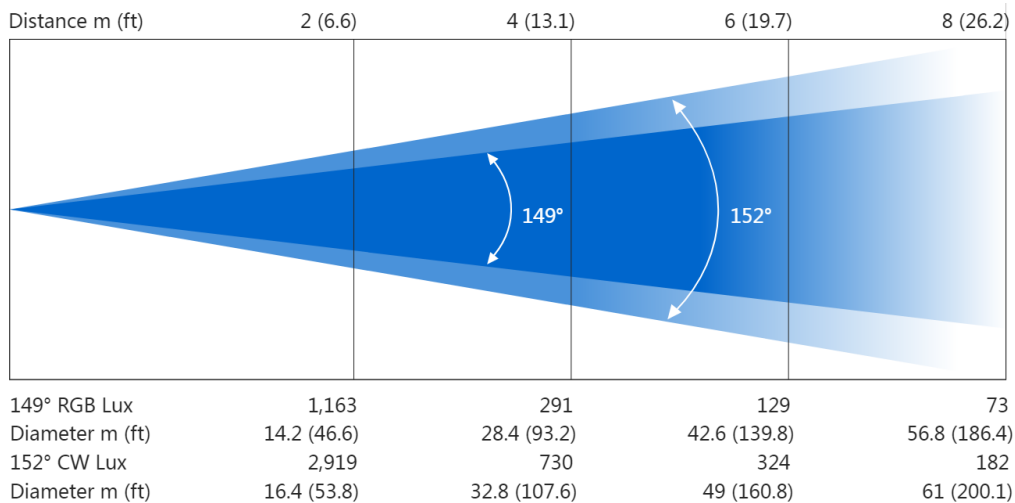
Version with sliding adjustable clamps:



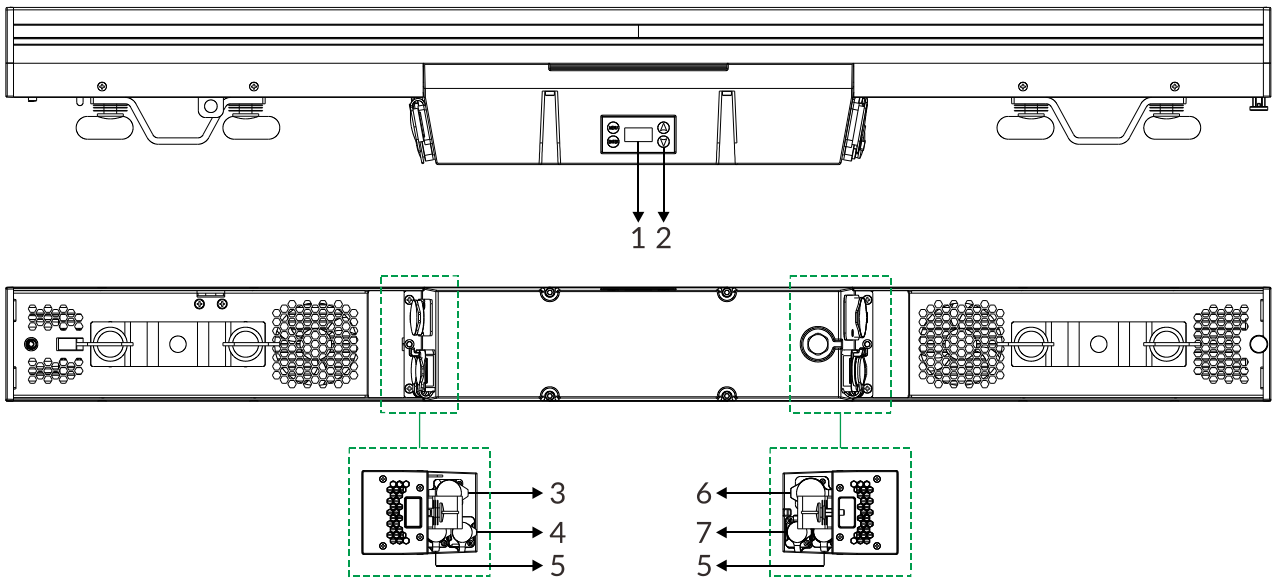
Photometric Diagram (Beam Angle):



Photometric Diagram (Field Angle):



03/ Overview



1. Display	To show the various menus and the selected function	
2. Buttons	MENU	To enter into menu backward or leave the menu
	▲ UP	To go backward to move up in the menu
	▼ DOWN	To go forward to move down in the menu
	ENTER	To perform the desired functions
3. POWER IN	To connect to supply power	
4. DMX IN	For DMX512 link, use 5-pin XLR cable to link the unit and DMX controller to input DMX signal (optional with 3-pin IP XLR)	
5. ETHERNET	Transfers fixture's information to a main controller	
6. POWER OUT	To connect to the next fixture	
7. DMX OUT	For DMX512 link, use 5-pin XLR cable to link the next units to output DMX signal (optional with 3-pin IP XLR)	

04/ Connecting Power and Data

4.1 Connecting Power

This fixture can operate on any 100-240Vac; 50/60Hz AC mains power supply.

The maximum power consumption is 420W.

The fixture must be grounded/earthed and able to be isolated from AC power. The AC power supply must incorporate a fuse or circuit breaker for fault protection.

Wiring and connection work must be carried out by a qualified electrician.

The power cable color coding is given in the figure below:

Wire	Color (US)	Wire	Color (EU)	Symbol	Conductor
	black		brown	L	live
	white		blue	N	neutral
	green		yellow/green	\perp or \oplus	ground (earth)

Power cord set should be used: Listed 5-15P or 6-15P plug molded with SJTW flexible cord with rating: 300V, 105°C, VW-1, 16AWGx3C, molded with attachment plug and cord connector model SAC3FX with rating 250VAC, 16A by NINGBO HAISHU DISTRICT SEETRONIC ELECTRONIC CO. LTD. The length of power cord shall be at least 914mm (It is to be measured from the face of the attachment plug to the face of the Cord Connector).

CAUTION!

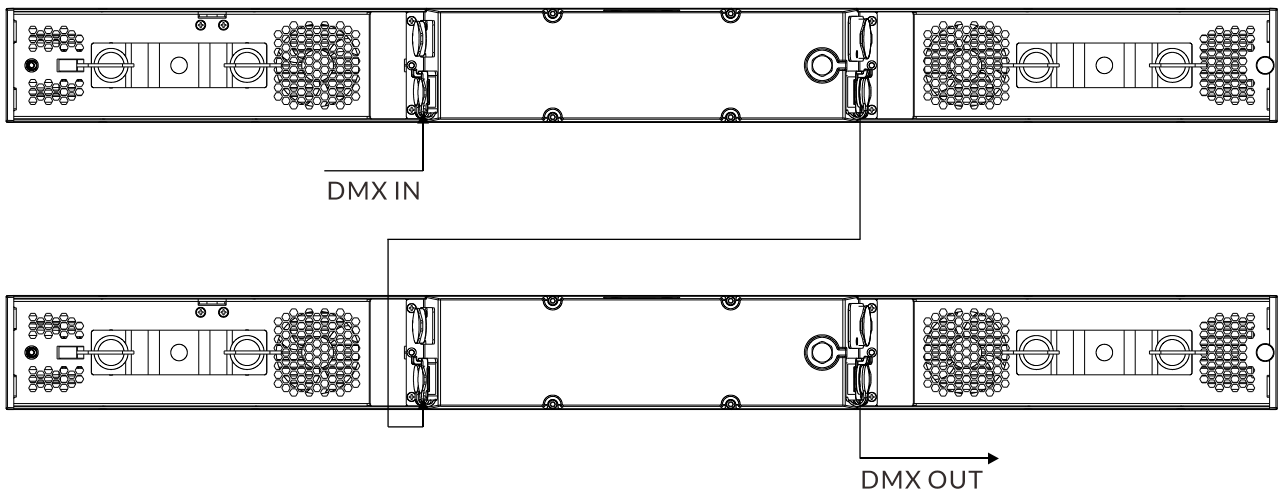
DO NOT CONNECT THE FIXTURE TO AN ELECTRICAL DIMMER SYSTEM AS DOING SO MAY CAUSE DAMAGE.

4.2 Connecting Data

The fixture is equipped with 5-pin (or 3-pin) XLR sockets for DMX input and output. Use a high-quality DMX cable designed for RS-485 and 5-pin (or 3-pin) XLR-plugs and connectors in order to connect the controller with the fixture or one fixture with another. For outdoor installations, use only IP-rated XLR connectors suitable for outdoor use.

Building a serial DMX chain:

Connect the DMX data output from the controller to the fixture's data input socket. Connect the DMX output of the first fixture in the DMX chain with the DMX input of the next fixture. Always connect one output with the input of the next fixture until all fixtures are connected. Up to 32 fixtures can be connected to the same DMX link. Terminate the DMX out cable of the last fixture in the data link with a 120 ohm DMX terminator.



05/ Fixture Installation

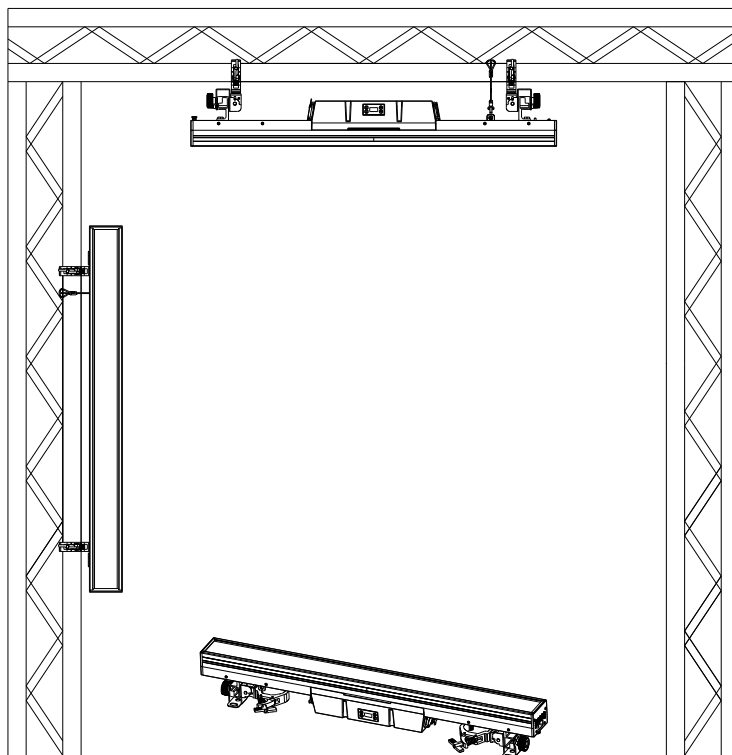
The fixture is IP66-rated and designed for both indoor and outdoor events. This means that it is protected from:

- ▶ Dust, to the degree that dust cannot enter the device in sufficient quantities as to interfere with its operation.
- ▶ Water jets from any direction.

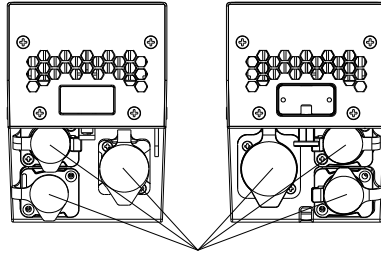
DO install and operate by qualified operator. Fixture(s) should be installed in areas outside walking paths, seating areas, or away from areas where unauthorized personnel might reach the fixture by hand. NEVER stand directly below the fixture(s) when rigging, removing or servicing.

Always ensure that the unit is firmly fixed to avoid vibration and slipping off during operation. Ensure that the trussing or area of installation must be able to hold 10 times the weight without any deformation. Always attach a safety cable that can hold at least 12 times the weight of the fixture whenever installing this fixture in a suspended environment to ensure that the fixture will not fall if the clamp fails.

This fixture is fully operational in three different mounting positions: hanging on trussing, mounted sideways on trussing, or standing on the floor. Always use and install a safety cable as a safety measure to prevent accidental damage and/or injury in the event the clamp fails.



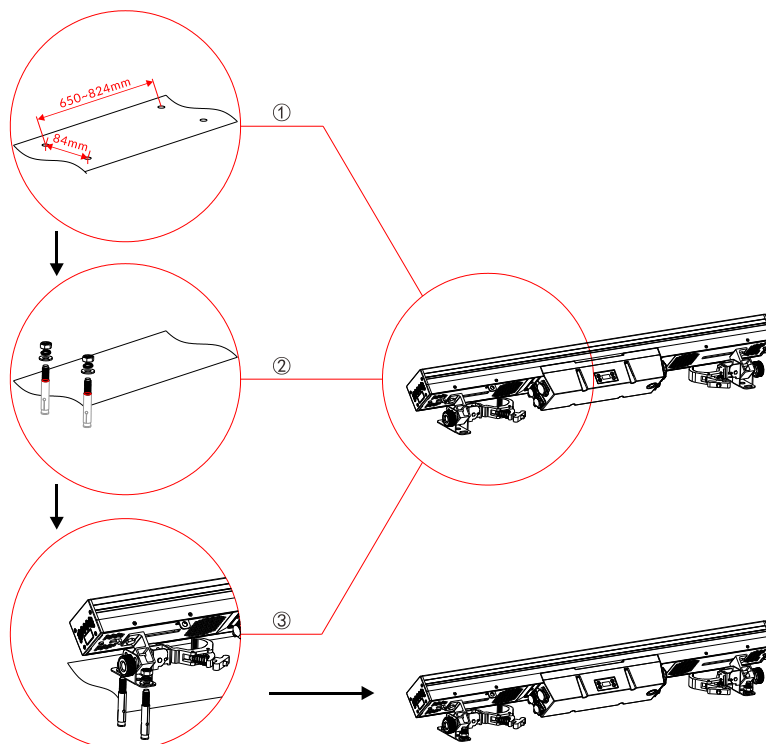
- Use only IP-rated power cords and connectors suitable for outdoor use.
- Visually check panel connectors on accidental water leaks and dust before connecting related cable connectors.
If some water appears in panel connectors, do not connect cable connectors, especially power!
- Fixtures require regular maintenance.
Carefully check panel connectors for corrosion and scorching, and replace them promptly if damaged.



All unused panel connectors have to be sealed by the rubber caps to avoid contact with water, especially seawater.

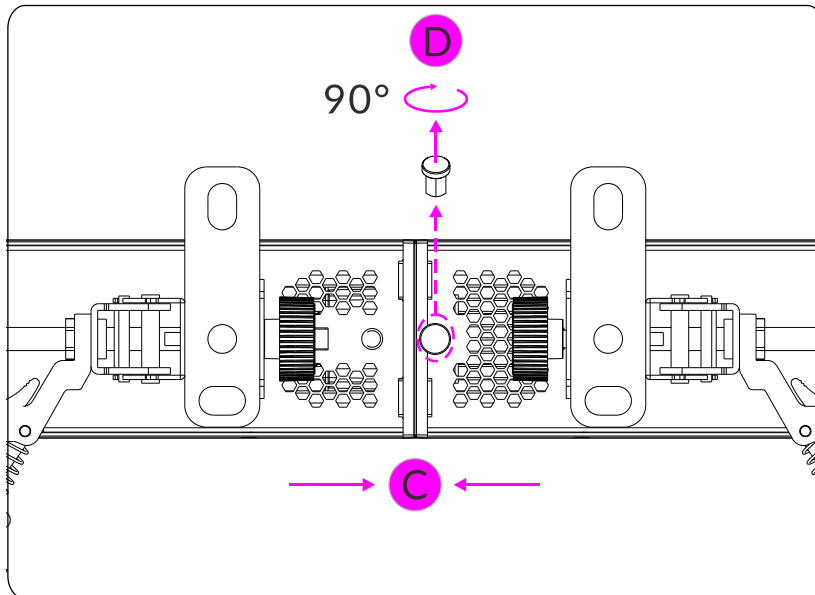
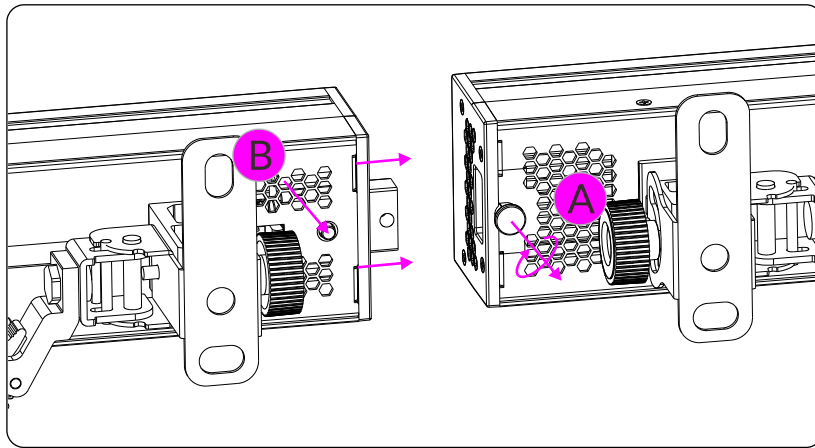
Stand the fixture on the floor:

1. Drill four expansion screw holes (for M12 expansion screws) on the ground or a wall according to the size shown in Figure ①.
2. As shown in Figure ②, unscrew the washers and nuts of the expansion screws, and insert the expansion screw tubes and screws into the drilled screw holes.
3. As shown in Figure ③, align the holes on the floor stands of the fixture with the four screws, then put the washers and nuts of the expansion screws in turn and tighten them with a wrench.
4. After tightening the nuts, check whether the fixture is installed firmly, then adjust the fixture to the required angle through the floor stand knobs.



Connecting and aligning multiple fixtures:

- A. Pull the locking pin and turn it over 90° so it stays unlocked.
- B. Push the button: automatically the slide comes out completely.
- C. Place both fixtures nicely against each other in line so that the slide fits nicely into the other fixture.
- D. When this is done, pull the locking pin and turn it again over 90°, until the pin fits in the hole of the slide and locks both fixtures together.

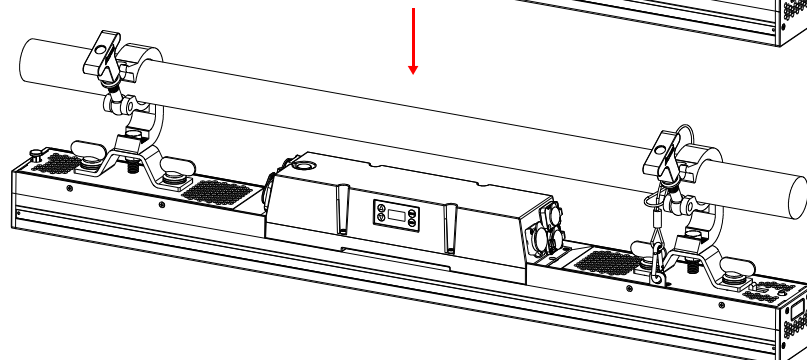
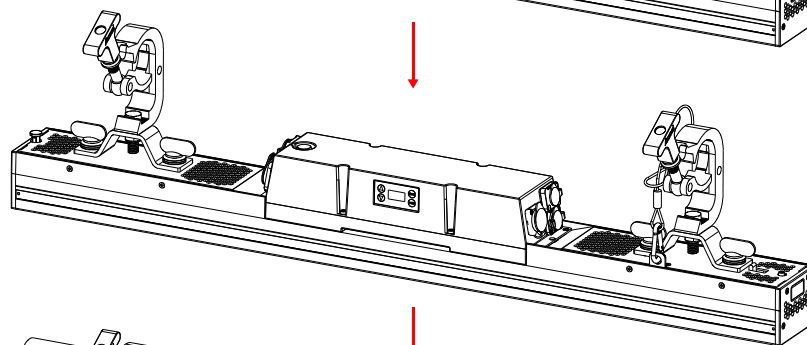
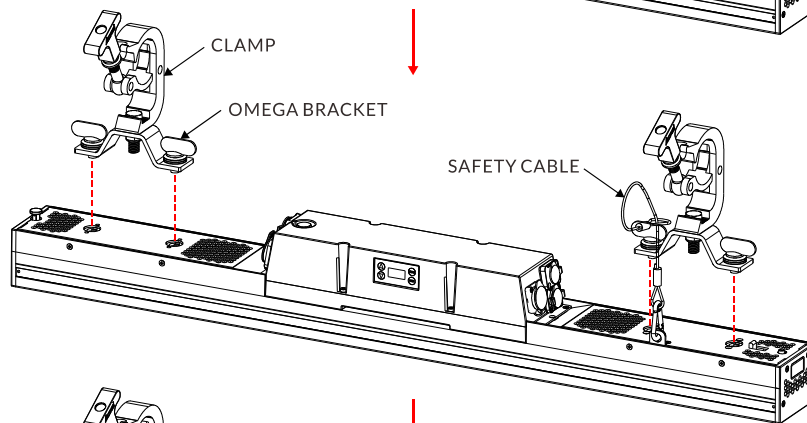
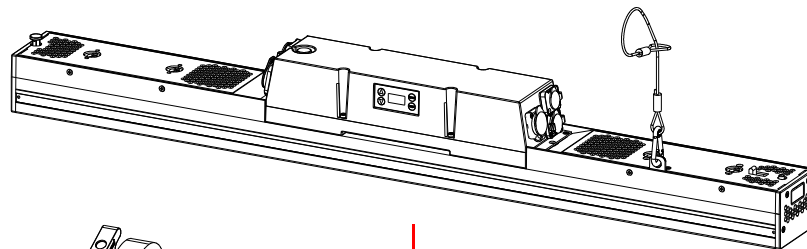
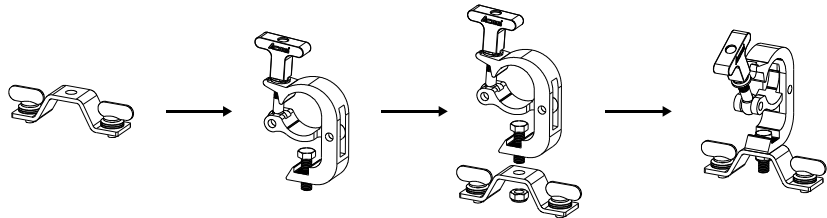
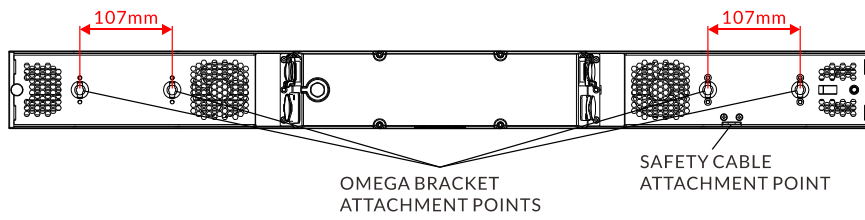


If you need to connect more fixtures, repeat the steps above.

To detach the fixtures, simply reverse the steps mentioned above.

Note: Hold down the button and pull the slide back simultaneously to retract it to its original position.

Steps for installing clamps to the fixture:



06/ Operation

6.1 Control Menu

- ▶ To access the control menus, press the [MENU] button.
- ▶ Navigate the menu structure, using the [ENTER], [▲ UP] and [▼ DOWN] buttons.
- ▶ To select a menu option or to confirm a selection, press the [ENTER] button.
- ▶ To return to a higher level in the menu structure without making a change, press the [MENU] button, or wait 30 seconds.

The screen locks after 30 seconds of inactivity.
Press and hold the [MENU] button to unlock the screen.

The main functions are shown below:

MAIN MENU	SUBMENU	CHOICES/VALUES	
DMX Settings	DMX Address	1-506 (7 CH)	(Default=1)
		1-498 (15 CH)	
		1-492 (21 CH)	
		1-474 (39 CH)	
		1-401 (112 CH)	
		1-496 (17 CH)	
		1-480 (33 CH)	
		1-448 (65 CH)	
		1-445 (68 CH)	
		1-396 (117 CH)	
	1-443 (70 CH)		
	Channel Mode	7 CH	
		15 CH	
		21 CH	
		39 CH	
		112 CH	
		17 CH	
		33 CH	
		65 CH	
		68 CH	
117 CH			
70 CH			

MAIN MENU	SUBMENU	CHOICES/VALUES		
	No DMX Status	Hold		
		Blackout		
		Manual		
	View DMX Value			
	Connect Option	Auto		
		DMX		
		Art-Net		
		sACN		
	Network	IP Address	Default 1:002.xxx.xxx.xxx	
			Default 2:010.xxx.xxx.xxx	
		Manual: xxx.xxx.xxx.xxx		
		Subnet Mask	xxx.xxx.xxx.xxx	
	Art-Net Settings	Net	0-127	(Default=0)
		Sub-Net	0-15	(Default =0)
		Universe	0-15	(Default =0)
	sACN Settings	sACN Universe	1-32000	(Default =1)
sACN Priority		0-200	(Default =100)	
Fixture Settings	Dimmer Curve	Linear		
		Square Law		
		Inv SQ Law		
		S Curve		
	Dimmer Speed	Fast		
		Smooth		
	White Balance	Red 1	125-255	
		Green 1	125-255	
		Blue 1	125-255	
		Red 2	125-255	
		Green 2	125-255	
		Blue 2	125-255	
	Invert Pixel Order	Disable		
		Enable		
Display Settings	Display Invert	No		
		Yes		
	Temperature Unit	°C		
		°F		
	Language	English		
		Chinese		

MAIN MENU	SUBMENU	CHOICES/VALUES		
Fixture Test	Auto Test			
	Manual Mode	Red	0-255	
		Green	0-255	
		Blue	0-255	
		White	0-255	
		Dimmer	0-255	
		Dimmer Fine	0-255	
		Duration	0-255	
		Rate	0-255	
		Frost	0-255	
Information	Fixture Use Hour			
	LED Use Hour	Total LED Hour		
		LED On Hour		
		LED Hours Reset	Password=050	
	Temperature		Current	Max temp
		LED 1		
		LED 2		
	Fan State	LED_Fan_1		
		LED_Fan_2		
	Firmware Version			
	RDM UID			
	Error Logs	Fixture Errors		
		Reset Error Log	No	
Yes			Password=050	
Special Functions	Factory Restore	No		
		Yes		

DMX Settings

Enter the control menu and select **DMX Settings**, press ENTER. Use the UP/DOWN button to select **DMX Address**, **Channel Mode**, **No DMX Status**, **View DMX Value**, **Connect Option**, **Network**, **Art-Net Settings** or **sACN Settings**.

DMX Address

Select **DMX Address**, press ENTER.

Use UP/DOWN button to select an address, confirm your selection with ENTER.

CHANNEL MODE	DMX ADDRESS
7 CH	1-506
15 CH	1-498
21 CH	1-492
39 CH	1-474
112 CH	1-401
17 CH	1-496
33 CH	1-480
65 CH	1-448
68 CH	1-445
117 CH	1-396
70 CH	1-443

To exit the menu, press MENU, or wait 30 seconds.

Channel Mode

Select **Channel Mode**, press ENTER.

Use UP/DOWN button to select between **7 CH**, **15 CH**, **21 CH**, **39 CH**, **112 CH**, **17 CH**, **33 CH**, **65 CH**, **68 CH**, **117 CH** and **70 CH**, confirm your selection with ENTER.

To exit the menu, press MENU, or wait 30 seconds.

No DMX Status

Select **No DMX Status**, press ENTER.

Use UP/DOWN button to select one of the following status:

Hold (The device continues to operate in the current mode with the last active DMX values until the signal returns)

Blackout (Fixture blacks out if DMX signal stops)

Manual (The device accepts the DMX value stored in the 'Manual Mode' menu)

Confirm your selection with ENTER.

To exit the menu, press MENU, or wait 30 seconds.

View DMX Value

Select **View DMX Value**, press ENTER.

Use UP/DOWN button to select the desired DMX channel, for which the value is to be displayed.

To exit the menu, press MENU, or wait 30 seconds.

Connect Option

Select **Connect Option**, press ENTER.

Use UP/DOWN button to select **Auto**, **DMX**, **Art-Net** or **sACN**, confirm your selection with ENTER.

To exit the menu, press MENU, or wait 30 seconds.

Network

Select **Network**, press ENTER.

Use UP/DOWN button to select **IP Address** or **Subnet Mask**, confirm your selection with ENTER.

To exit the menu, press MENU, or wait 30 seconds.

Art-Net Settings

Select **Art-Net Settings**, press ENTER.

Use UP/DOWN button to select **Net**, **Sub-Net** or **Universe**, confirm your selection with ENTER.

To exit the menu, press MENU, or wait 30 seconds.

sACN Settings

Select **sACN Settings**, press ENTER.

Use UP/DOWN button to select **sACN Universe** or **sACN Priority**, confirm your selection with ENTER.

To exit the menu, press MENU, or wait 30 seconds.

Fixture Settings

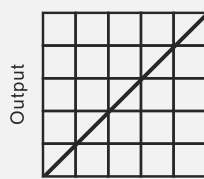
Enter the control menu and select **Fixture Settings**, press ENTER. Use the UP/DOWN button to select **Dimmer Curve**, **Dimmer Speed**, **White Balance** or **Invert Pixel Order**.

Dimmer Curve

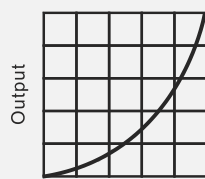
Select **Dimmer Curve**, press ENTER.

Use UP/DOWN button to select **Linear**, **Square Law**, **Inv SQ Law** or **S Curve**, confirm your selection with ENTER.

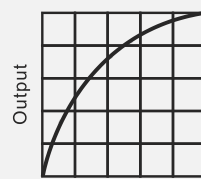
Dimmer Modes



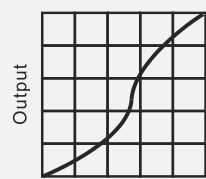
Optically Linear



Square Law



Inverse Square Law



S-curve

To exit the menu, press MENU, or wait 30 seconds.

Dimmer Speed

Select **Dimmer Speed**, press ENTER.

Use UP/DOWN button to select **Fast** or **Smooth**, confirm your selection with ENTER.

To exit the menu, press MENU, or wait 30 seconds.

White Balance

Select **White Balance**, press ENTER.

Use UP/DOWN button to select **Red 1, Green 1, Blue 1** or **Red 2, Green 2, Blue 2**, confirm your selection with ENTER.

Use UP/DOWN button to select a value between **125** and **255**, confirm your selection with ENTER.

To exit the menu, press MENU, or wait 30 seconds.

Invert Pixel Order

Select **Invert Pixel Order**, press ENTER.

Use UP/DOWN button to select **Disable** or **Enable**, confirm your selection with ENTER.

To exit the menu, press MENU, or wait 30 seconds.

Display Settings

Enter the control menu and select **Display Settings**, press ENTER. Use the UP/DOWN button to select **Display Invert, Temperature Unit** or **Language**.

Display Invert

Select **Display Invert**, press ENTER.

Use UP/DOWN button to select **No** (display normal) or **Yes** (display inverted), confirm your selection with ENTER.

To exit the menu, press MENU, or wait 30 seconds.

Temperature Unit

Select **Temperature Unit**, press ENTER.

Use UP/DOWN button to select **°C** or **°F**, confirm your selection with ENTER.

To exit the menu, press MENU, or wait 30 seconds.

Language

Select **Language**, press ENTER.

Use UP/DOWN button to select **English** or **Chinese**, confirm your selection with ENTER.

To exit the menu, press MENU, or wait 30 seconds.

Fixture Test

Enter the control menu and select **Fixture Test**, press ENTER. Use the UP/DOWN button to select **Auto Test** or **Manual Mode**.

Auto Test

Select **Auto Test**, press ENTER.

The device immediately performs an automatic self-test.

To end the automatic self-test and exit the menu, press MENU, or wait 30 seconds.

Manual Mode

Select **Manual Mode**, press ENTER.

Use UP/DOWN button to select the channel for which the manual test is to be performed, confirm your selection with ENTER.

Use UP/DOWN button to select a value, confirm your selection with ENTER.

To exit the menu, press MENU, or wait 30 seconds.

(The device returns to its original DMX state after the manual test. The test values are saved automatically when the device is switched off.)

Information

Enter the control menu and select **Information**, press ENTER. Use the UP/DOWN button to select **Fixture Use Hour**, **LED Use Hour**, **Temperature**, **Fan State**, **Firmware Version**, **RDM UID** or **Error Logs**.

Fixture Use Hour

Select **Fixture Use Hour**, press ENTER.
The operating hours is displayed.
To exit the menu, press MENU, or wait 30 seconds.

LED Use Hour

Select **LED Use Hour**, press ENTER.
Use UP/DOWN button to select **Total LED Hour** (total time) or **LED On Hour** (current switch-on time), confirm your selection with ENTER.
The total time or current switch-on time is displayed.
Use UP/DOWN button to select **LED Hours Reset**, confirm your selection with ENTER.
Use UP/DOWN button to set the password 050, confirm your selection with ENTER. The LED operating hours is reset.
To exit the menu, press MENU, or wait 30 seconds.

Temperature

Select **Temperature**, press ENTER.
The device temperature is displayed.
To exit the menu, press MENU, or wait 30 seconds.

Fan State

Select **Fan State**, press ENTER.
The fan status is displayed.
To exit the menu, press MENU, or wait 30 seconds.

Firmware Version

Select **Firmware Version**, press ENTER.
The firmware version is displayed.
To exit the menu, press MENU, or wait 30 seconds.

RDM UID

Select **RDM UID**, press ENTER.
The RDM UID is displayed.
To exit the menu, press MENU, or wait 30 seconds.

Error Logs

Select **Error Logs**, press ENTER.
Use UP/DOWN button to select **Fixture Errors**, confirm your selection with ENTER.
The error list is displayed.
Use UP/DOWN button to select **Reset Error Log**, confirm your selection with ENTER.
If you wish to reset the relevant error logs, select **Yes**. If you do not wish to reset anything, select **No**. Confirm your selection with ENTER.
If you select **Yes**, use UP/DOWN button to set the password 050, confirm your selection with ENTER. The relevant error logs are reset.
To exit the menu, press MENU, or wait 30 seconds.

Special Functions

Enter the control menu and select **Special Functions**, press ENTER. Use the UP/DOWN button to select **Factory Restore**.

Factory Restore

Select **Factory Restore**, press ENTER.
If you wish to reset the device to the factory settings, select **Yes**. If you do not wish to reset anything, select **No**. Confirm your selection with ENTER.
To exit the menu, press MENU, or wait 30 seconds.

RDM functions: Certain menus of the device and functions can be called up via the RDM protocol.

The parameter IDs are implemented as follows for different commands:

Parameter ID	Command 'Discovery'	Command 'Set'	Command 'Get'
DISC_UNIQUE_BRANCH	√		
DISC_MUTE	√		
DISC_UN_MUTE	√		
DEVICE_INFO			√
SUPPORTED_PARAMETERS			√
SOFTWARE_VERSION_LABEL			√
DMX_START_ADDRESS		√	√
IDENTIFY_DEVICE		√	√
DEVICE_MODEL_DESCRIPTION			√
PARAMETER_DESCRIPTION			√
MANUFACTURER_LABEL			√
DEVICE_LABEL		√	√
FACTORY_DEFAULTS		√	√
BOOT_SOFTWARE_VERSION_ID			√
BOOT_SOFTWARE_VERSION_LABEL			√
DMX_PERSONALITY		√	√
DMX_PERSONALITY_DESCRIPTION			√
SLOT_INFO			√
SLOT_DESCRIPTION			√
SENSOR_DEFINITION			√
SENSOR_VALUE			√
DEVICE_HOURS			√
INVERT_PIXEL_ORDER		√	√
RESET_DEVICE		√	

√ -Command implemented for the respective parameter ID

6.2 Home Position Adjustment

- ▶ To access the control menus, press the [MENU] button.
- ▶ To access the offset menus, long-press the [ENTER] button.
- ▶ Navigate the offset menus, using the [ENTER], [▲ UP] and [▼ DOWN] buttons.
- ▶ To select a menu option or to confirm a selection, press the [ENTER] button.
- ▶ To return to a higher level in the menu structure without making a change, press the [MENU] button, or wait 30 seconds.

OFFSET MENU	VALUES
RED-A	0-255
GREEN-A	0-255
BLUE-A	0-255
WHITE-A	0-255
RED-B	0-255
GREEN-B	0-255
BLUE-B	0-255
WHITE-B	0-255
Red 1	0-255
Green 1	0-255
Blue 1	0-255
.....
Red 32	0-255
Green 32	0-255
Blue 32	0-255
White 1	0-255
.....
White 16	0-255

RED-A

Select **RED-A**, press ENTER.

Use UP/DOWN button to select a value between 0 and 255, confirm your selection with ENTER.

To exit the offset menu, press MENU, or wait 30 seconds.

GREEN-A

Select **GREEN-A**, press ENTER.

Use UP/DOWN button to select a value between 0 and 255, confirm your selection with ENTER.

To exit the offset menu, press MENU, or wait 30 seconds.

BLUE-A

Select **BLUE-A**, press ENTER.

Use UP/DOWN button to select a value between 0 and 255, confirm your selection with ENTER.

To exit the offset menu, press MENU, or wait 30 seconds.

WHITE-A

Select **WHITE-A**, press ENTER.

Use UP/DOWN button to select a value between 0 and 255, confirm your selection with ENTER.

To exit the offset menu, press MENU, or wait 30 seconds.

RED-B

Select **RED-B**, press ENTER.

Use UP/DOWN button to select a value between 0 and 255, confirm your selection with ENTER.

To exit the offset menu, press MENU, or wait 30 seconds.

GREEN-B

Select **GREEN-B**, press ENTER.

Use UP/DOWN button to select a value between 0 and 255, confirm your selection with ENTER.

To exit the offset menu, press MENU, or wait 30 seconds.

BLUE-B

Select **BLUE-B**, press ENTER.

Use UP/DOWN button to select a value between 0 and 255, confirm your selection with ENTER.

To exit the offset menu, press MENU, or wait 30 seconds.

WHITE-B

Select **WHITE-B**, press ENTER.

Use UP/DOWN button to select a value between 0 and 255, confirm your selection with ENTER.

To exit the offset menu, press MENU, or wait 30 seconds.

Red 1

Select **Red 1**, press ENTER.

Use UP/DOWN button to select a value between 0 and 255, confirm your selection with ENTER.

To exit the offset menu, press MENU, or wait 30 seconds.

Green 1

Select **Green 1**, press ENTER.

Use UP/DOWN button to select a value between 0 and 255, confirm your selection with ENTER.

To exit the offset menu, press MENU, or wait 30 seconds.

Blue 1

Select **Blue 1**, press ENTER.

Use UP/DOWN button to select a value between 0 and 255, confirm your selection with ENTER.

To exit the offset menu, press MENU, or wait 30 seconds.

.....

Red 32

Select **Red 32**, press ENTER.

Use UP/DOWN button to select a value between 0 and 255, confirm your selection with ENTER.

To exit the offset menu, press MENU, or wait 30 seconds.

Green 32

Select **Green 32**, press ENTER.

Use UP/DOWN button to select a value between 0 and 255, confirm your selection with ENTER.

To exit the offset menu, press MENU, or wait 30 seconds.

Blue 32

Select **Blue 32**, press ENTER.

Use UP/DOWN button to select a value between 0 and 255, confirm your selection with ENTER.

To exit the offset menu, press MENU, or wait 30 seconds.

White 1

Select **White 1**, press ENTER.

Use UP/DOWN button to select a value between 0 and 255, confirm your selection with ENTER.

To exit the offset menu, press MENU, or wait 30 seconds.

.....

White 16

Select **White 16**, press ENTER.

Use UP/DOWN button to select a value between 0 and 255, confirm your selection with ENTER.

To exit the offset menu, press MENU, or wait 30 seconds.

07/ Configuring the Device for DMX Control

7.1 Address Setting

All fixtures should be given a DMX starting address when operating with a DMX controller, in order to ensure that the correct fixture responds to the correct control signal. Incorrect settings will result in unpredictable responses from the lighting controller.

You can set the same starting address for all fixtures or a group of fixtures, or set different addresses for each individual fixture.

Setting all fixtures to the same DMX address will cause all fixtures to react in the same way. In this case, please note that changing the settings of one channel will affect all the fixtures simultaneously.

If you set each fixture to a different DMX address, each unit will “listen” starting at the channel number you have set, based on the quantity of DMX channels of each fixture. That means changing the settings of one channel will only affect the selected fixture.

For example, if the first fixture is set to 7 ch DMX mode with a start DMX address of 1, the following fixture in the DMX chain should then be set to a DMX address of 8. As the first fixture uses all the first 7 DMX channels, the next available channel is 8 ($7+1=8 \gg 8$).

See the chart below for more details:

Channel Mode	Unit 1 Address	Unit 2 Address	Unit 3 Address	Unit 4 Address	Unit xxx Address
7 channels	1	8	15	22
15 channels	1	16	31	46
21 channels	1	22	43	64
39 channels	1	40	79	118
112 channels	1	113	225	337
17 channels	1	18	35	52
33 channels	1	34	67	100
65 channels	1	66	131	196
68 channels	1	69	137	205
117 channels	1	118	235	352
70 channels	1	71	141	211

7.2 DMX Protocol

7ch (Mode 1) / 15ch (Mode 2) / 21ch (Mode 3):

CHANNEL			VALUE	FUNCTION
7ch	15ch	21ch		
1	1	1	000-255	RED 0%→100%
2	2	2	000-255	GREEN 0%→100%
3	3	3	000-255	BLUE 0%→100%
4	4		000-255	WHITE 0%→100%
				COLOR MACRO
			000-009	Null
			010-017	Color 1
			018-024	Color 2
			025-032	Color 3
			033-039	Color 4
			040-047	Color 5
			048-054	Color 6
			055-061	Color 7
			062-069	Color 8
			070-076	Color 9
			077-084	Color 10
			085-091	Color 11
			092-099	Color 12
			100-106	Color 13
	5	4	107-113	Color 14
			114-121	Color 15
			122-128	Color 16
			129-136	Color 17
			137-143	Color 18
			144-151	Color 19
			152-158	Color 20
			159-165	Color 21
			166-173	Color 22
			174-180	Color 23
			181-188	Color 24
			189-195	Color 25
			196-203	Color 26
			204-210	Color 27
			211-217	Color 28
			218-225	Color 29
			226-232	Color 30

			233-240 241-247 248-255	Color 31 Color 32 Color 33
5	6		000-005 006-255	DIMMER Null 0%→100%
6	7		000-255	DIMMER FINE
	8		000-255	STROBE DURATION
	9		000-006 007-255	STROBE RATE Blackout Strobe from Slow to Fast
	10		000-005 006-050 051-100 101-150 151-200 201-255	STROBE Null Ramp up Ramp down Ramp up-down Lightning Random
		5	000-005 006-255	DIMMER (RGB) Null 0%→100%
		6	000-255	DIMMER FINE (RGB)
		7	000-255	STROBE DURATION (RGB)
		8	000-006 007-255	STROBE RATE (RGB) Blackout Strobe from Slow to Fast
		9	000-005 006-050 051-100 101-150 151-200 201-255	STROBE (RGB) Null Ramp up Ramp down Ramp up-down Lightning Random
	11	10	000-023 024-031 032-039 040-047 048-055 056-063 064-071 072-079 080-087 088-095	MACRO (RGB) Null Macro 1 Macro 2 Macro 3 Macro 4 Macro 5 Macro 6 Macro 7 Macro 8 Macro 9

			096-103 104-111 112-119 120-127 128-135 136-143 144-151 152-159 160-167 168-175 176-183 184-191 192-199 200-207 208-215 216-223 224-231 232-239 240-247 248-255	Macro 10 Macro 11 Macro 12 Macro 13 Macro 14 Macro 15 Macro 16 Macro 17 Macro 18 Macro 19 Macro 20 Macro 21 Macro 22 Macro 23 Macro 24 Macro 25 Macro 26 Macro 27 Macro 28 Macro 29
		11	000-127 128-255	MACRO SPEED (RGB) Normal, Slow to Fast Inversion, Slow to Fast
		12	000-255	FADE (RGB) 0%→100%
		13	000-005 006-255	DIMMER (W) Null 0%→100%
		14	000-255	DIMMER FINE (W)
		15	000-255	STROBE DURATION (W)
		16	000-006 007-255	STROBE RATE (W) Blackout Strobe from Slow to Fast
		17	000-005 006-050 051-100 101-150 151-200 201-255	STROBE (W) Null Ramp up Ramp down Ramp up-down Lightning Random
	12	18	000-090 091-105 106-120 121-135 136-150	MACRO (W) Null Macro 1 Macro 2 Macro 3 Macro 4

			151-165 166-180 181-195 196-210 211-225 226-240 241-255	Macro 5 Macro 6 Macro 7 Macro 8 Macro 9 Macro 10 Macro 11
		19	000-127 128-255	MACRO SPEED (W) Normal, Slow to Fast Inversion, Slow to Fast
		20	000-255	FADE (W) 0%→100%
	13		000-127 128-255	MACRO SPEED Normal, Slow to Fast Inversion, Slow to Fast
	14		000-255	FADE 0%→100%
7	15	21	000-255	FROST 0%→100%

39ch (Mode 4) / 112ch (Mode 5) / 17ch (Mode 6) / 33ch (Mode 7) / 65ch (Mode 8) / 117ch (Mode 10):

CHANNEL						VALUE	FUNCTION
39ch	112ch	17ch	33ch	65ch	117ch		
1	1	1	1	1	6	000-255	RED 1 0%→100%
2	2	2	2	2	7	000-255	GREEN 1 0%→100%
3	3	3	3	3	8	000-255	BLUE 1 0%→100%
4	4	4	4	4	9	000-255	RED 2 0%→100%
5	5	5	5	5	10	000-255	GREEN 2 0%→100%
6	6	6	6	6	11	000-255	BLUE 2 0%→100%
7	7	7	7	7	12	000-255	RED 3 0%→100%
8	8	8	8	8	13	000-255	GREEN 3 0%→100%
9	9	9	9	9	14	000-255	BLUE 3 0%→100%
10	10	10	10	10	15	000-255	RED 4 0%→100%
11	11	11	11	11	16	000-255	GREEN 4 0%→100%
12	12	12	12	12	17	000-255	BLUE 4 0%→100%
13	13		13	13	18	000-255	RED 5 0%→100%
14	14		14	14	19	000-255	GREEN 5 0%→100%
15	15		15	15	20	000-255	BLUE 5 0%→100%
16	16		16	16	21	000-255	RED 6 0%→100%
17	17		17	17	22	000-255	GREEN 6 0%→100%
18	18		18	18	23	000-255	BLUE 6 0%→100%
19	19		19	19	24	000-255	RED 7 0%→100%

20	20		20	20	25	000-255	GREEN 7 0%→100%
21	21		21	21	26	000-255	BLUE 7 0%→100%
22	22		22	22	27	000-255	RED 8 0%→100%
23	23		23	23	28	000-255	GREEN 8 0%→100%
24	24		24	24	29	000-255	BLUE 8 0%→100%
	25			25	30	000-255	RED 9 0%→100%
	26			26	31	000-255	GREEN 9 0%→100%
	27			27	32	000-255	BLUE 9 0%→100%
	28			28	33	000-255	RED 10 0%→100%
	29			29	34	000-255	GREEN 10 0%→100%
	30			30	35	000-255	BLUE 10 0%→100%
	31			31	36	000-255	RED 11 0%→100%
	32			32	37	000-255	GREEN 11 0%→100%
	33			33	38	000-255	BLUE 11 0%→100%
	34			34	39	000-255	RED 12 0%→100%
	35			35	40	000-255	GREEN 12 0%→100%
	36			36	41	000-255	BLUE 12 0%→100%
	37			37	42	000-255	RED 13 0%→100%
	38			38	43	000-255	GREEN 13 0%→100%
	39			39	44	000-255	BLUE 13 0%→100%
	40			40	45	000-255	RED 14 0%→100%
	41			41	46	000-255	GREEN 14 0%→100%

	42			42	47	000-255	BLUE 14 0%→100%
	43			43	48	000-255	RED 15 0%→100%
	44			44	49	000-255	GREEN 15 0%→100%
	45			45	50	000-255	BLUE 15 0%→100%
	46			46	51	000-255	RED 16 0%→100%
	47			47	52	000-255	GREEN 16 0%→100%
	48			48	53	000-255	BLUE 16 0%→100%
	49				54	000-255	RED 17 0%→100%
	50				55	000-255	GREEN 17 0%→100%
	51				56	000-255	BLUE 17 0%→100%
	52				57	000-255	RED 18 0%→100%
	53				58	000-255	GREEN 18 0%→100%
	54				59	000-255	BLUE 18 0%→100%
	55				60	000-255	RED 19 0%→100%
	56				61	000-255	GREEN 19 0%→100%
	57				62	000-255	BLUE 19 0%→100%
	58				63	000-255	RED 20 0%→100%
	59				64	000-255	GREEN 20 0%→100%
	60				65	000-255	BLUE 20 0%→100%
	61				66	000-255	RED 21 0%→100%
	62				67	000-255	GREEN 21 0%→100%
	63				68	000-255	BLUE 21 0%→100%

	64				69	000-255	RED 22 0%→100%
	65				70	000-255	GREEN 22 0%→100%
	66				71	000-255	BLUE 22 0%→100%
	67				72	000-255	RED 23 0%→100%
	68				73	000-255	GREEN 23 0%→100%
	69				74	000-255	BLUE 23 0%→100%
	70				75	000-255	RED 24 0%→100%
	71				76	000-255	GREEN 24 0%→100%
	72				77	000-255	BLUE 24 0%→100%
	73				78	000-255	RED 25 0%→100%
	74				79	000-255	GREEN 25 0%→100%
	75				80	000-255	BLUE 25 0%→100%
	76				81	000-255	RED 26 0%→100%
	77				82	000-255	GREEN 26 0%→100%
	78				83	000-255	BLUE 26 0%→100%
	79				84	000-255	RED 27 0%→100%
	80				85	000-255	GREEN 27 0%→100%
	81				86	000-255	BLUE 27 0%→100%
	82				87	000-255	RED 28 0%→100%
	83				88	000-255	GREEN 28 0%→100%
	84				89	000-255	BLUE 28 0%→100%
	85				90	000-255	RED 29 0%→100%

	86				91	000-255	GREEN 29 0%→100%
	87				92	000-255	BLUE 29 0%→100%
	88				93	000-255	RED 30 0%→100%
	89				94	000-255	GREEN 30 0%→100%
	90				95	000-255	BLUE 30 0%→100%
	91				96	000-255	RED 31 0%→100%
	92				97	000-255	GREEN 31 0%→100%
	93				98	000-255	BLUE 31 0%→100%
	94				99	000-255	RED 32 0%→100%
	95				100	000-255	GREEN 32 0%→100%
	96				101	000-255	BLUE 32 0%→100%
					1	000-005 006-255	DIMMER Null 0%→100%
					2	000-255	STROBE DURATION
					3	000-006 007-255	STROBE RATE Blackout Strobe from Slow to Fast
					4	000-005 006-050 051-100 101-150 151-200 201-255	STROBE Null Ramp up Ramp down Ramp up-down Lightning Random
25						000-005 006-255	DIMMER (RGB) Null 0%→100%
26						000-255	DIMMER FINE (RGB)
27						000-255	STROBE DURATION (RGB)
28						000-006	STROBE RATE (RGB) Blackout

						007-255	Strobe from Slow to Fast
29						000-005 006-050 051-100 101-150 151-200 201-255	STROBE (RGB) Null Ramp up Ramp down Ramp up-down Lightning Random
30	97	13	25	49	102	000-255	WHITE 1 0%→100%
31	98	14	26	50	103	000-255	WHITE 2 0%→100%
32	99	15	27	51	104	000-255	WHITE 3 0%→100%
33	100	16	28	52	105	000-255	WHITE 4 0%→100%
	101		29	53	106	000-255	WHITE 5 0%→100%
	102		30	54	107	000-255	WHITE 6 0%→100%
	103		31	55	108	000-255	WHITE 7 0%→100%
	104		32	56	109	000-255	WHITE 8 0%→100%
	105			57	110	000-255	WHITE 9 0%→100%
	106			58	111	000-255	WHITE 10 0%→100%
	107			59	112	000-255	WHITE 11 0%→100%
	108			60	113	000-255	WHITE 12 0%→100%
	109			61	114	000-255	WHITE 13 0%→100%
	110			62	115	000-255	WHITE 14 0%→100%
	111			63	116	000-255	WHITE 15 0%→100%
	112			64	117	000-255	WHITE 16 0%→100%
34						000-005 006-255	DIMMER (W) Null 0%→100%
35						000-255	DIMMER FINE (W)

36						000-255	STROBE DURATION (W)
37						000-006 007-255	STROBE RATE (W) Blackout Strobe from Slow to Fast
38						000-005 006-050 051-100 101-150 151-200 201-255	STROBE (W) Null Ramp up Ramp down Ramp up-down Lightning Random
39		17	33	65	5	000-255	FROST 0%→100%

68ch (Mode 9) / 70ch (Mode 11):

CHANNEL		VALUE	FUNCTION
68ch	70ch		
1	1	000-005 006-255	DIMMER Null 0%→100%
2	2	000-007 008-127 128-130 131-250 251-255	STROBE (RGB) Null Strobe from Slow to Fast Null Random Null
3	3	000-007 008-127 128-130 131-250 251-255	STROBE (W) Null Strobe from Slow to Fast Null Random Null
4	4	000-255	FROST 0%→100%
5	5	000-255	RED 1 0%→100%
6	6	000-255	GREEN 1 0%→100%
7	7	000-255	BLUE 1 0%→100%
8	8	000-255	RED 2 0%→100%
9	9		GREEN 2

		000-255	0%→100%
10	10	000-255	BLUE 2 0%→100%
11	11	000-255	RED 3 0%→100%
12	12	000-255	GREEN 3 0%→100%
13	13	000-255	BLUE 3 0%→100%
14	14	000-255	RED 4 0%→100%
15	15	000-255	GREEN 4 0%→100%
16	16	000-255	BLUE 4 0%→100%
17	17	000-255	RED 5 0%→100%
18	18	000-255	GREEN 5 0%→100%
19	19	000-255	BLUE 5 0%→100%
20	20	000-255	RED 6 0%→100%
21	21	000-255	GREEN 6 0%→100%
22	22	000-255	BLUE 6 0%→100%
23	23	000-255	RED 7 0%→100%
24	24	000-255	GREEN 7 0%→100%
25	25	000-255	BLUE 7 0%→100%
26	26	000-255	RED 8 0%→100%
27	27	000-255	GREEN 8 0%→100%
28	28	000-255	BLUE 8 0%→100%
29	29	000-255	RED 9 0%→100%
30	30	000-255	GREEN 9 0%→100%

31	31	000-255	BLUE 9 0%→100%
32	32	000-255	RED 10 0%→100%
33	33	000-255	GREEN 10 0%→100%
34	34	000-255	BLUE 10 0%→100%
35	35	000-255	RED 11 0%→100%
36	36	000-255	GREEN 11 0%→100%
37	37	000-255	BLUE 11 0%→100%
38	38	000-255	RED 12 0%→100%
39	39	000-255	GREEN 12 0%→100%
40	40	000-255	BLUE 12 0%→100%
41	41	000-255	RED 13 0%→100%
42	42	000-255	GREEN 13 0%→100%
43	43	000-255	BLUE 13 0%→100%
44	44	000-255	RED 14 0%→100%
45	45	000-255	GREEN 14 0%→100%
46	46	000-255	BLUE 14 0%→100%
47	47	000-255	RED 15 0%→100%
48	48	000-255	GREEN 15 0%→100%
49	49	000-255	BLUE 15 0%→100%
50	50	000-255	RED 16 0%→100%
51	51	000-255	GREEN 16 0%→100%
52	52	000-255	BLUE 16 0%→100%

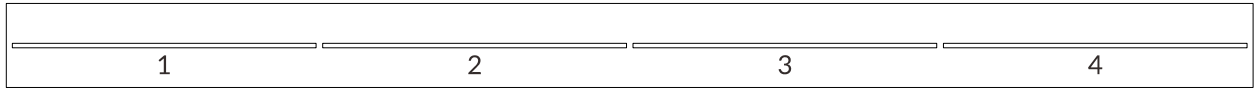
53	53	000-255	WHITE 1 0%→100%
54	54	000-255	WHITE 2 0%→100%
55	55	000-255	WHITE 3 0%→100%
56	56	000-255	WHITE 4 0%→100%
57	57	000-255	WHITE 5 0%→100%
58	58	000-255	WHITE 6 0%→100%
59	59	000-255	WHITE 7 0%→100%
60	60	000-255	WHITE 8 0%→100%
61	61	000-255	WHITE 9 0%→100%
62	62	000-255	WHITE 10 0%→100%
63	63	000-255	WHITE 11 0%→100%
64	64	000-255	WHITE 12 0%→100%
65	65	000-255	WHITE 13 0%→100%
66	66	000-255	WHITE 14 0%→100%
67	67	000-255	WHITE 15 0%→100%
68	68	000-255	WHITE 16 0%→100%
	69	000-255	FADE (RGB) 0%→100%
	70	000-255	FADE (W) 0%→100%

LED PIXEL ZONES:

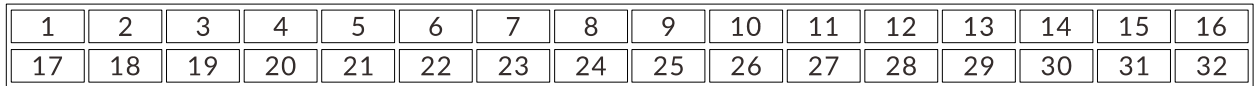
39-channel (RGB)



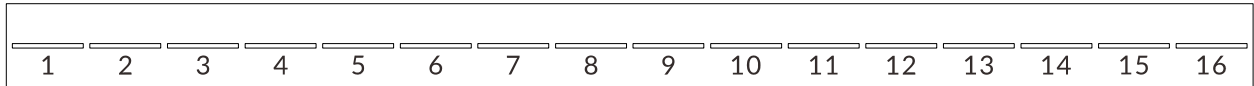
39-channel (W)



112/117-channel (RGB)



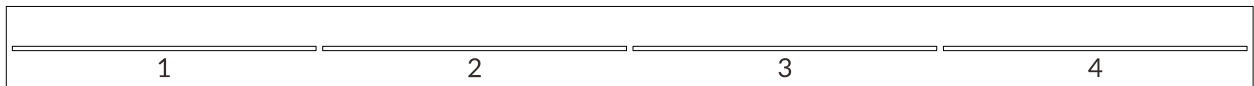
112/117-channel (W)



17-channel (RGB)



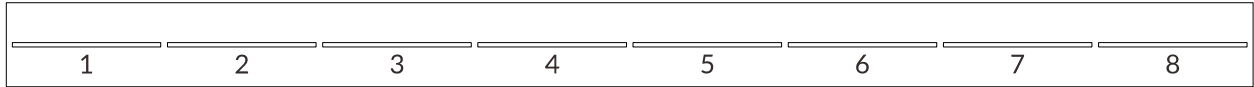
17-channel (W)



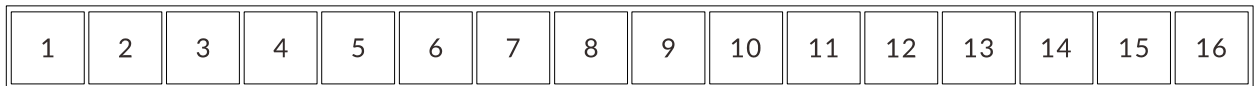
33-channel (RGB)



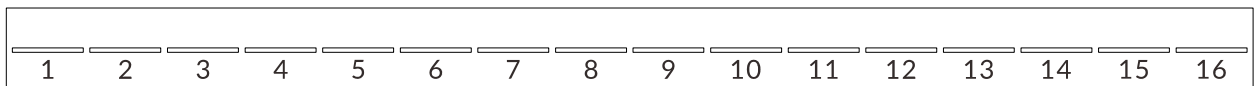
33-channel (W)



65/68/70-channel (RGB)



65/68/70-channel (W)



08/ Error Information

Error codes are shown continuously in the display when the fixture fails and they will not disappear until the fixture is repaired.

LED Fan Error

Check whether the fan is not running.
Check whether the fan leads are installed in place or disconnected.
Check whether the fan is damaged.
Check whether there are obstacles in the fan operating range.
Check whether the fan circuit on the motherboard breaks down.
Check whether the component is damaged.
Check whether the fan is out of order.

Led Temp. Error

Check whether the temperature detecting board is normal.
Check whether the components of the temperature detecting board are damaged.
Check whether the lead on the temperature detecting board is installed in place or disconnected.

LED Timeout Error

LED Too Hot Off

When the fixture temperature reaches 72°C, it will automatically turn off to protect the fixture.

09/ Troubleshooting

Problem	Potential cause(s)	Remedies
Fixture does not respond or appears to be off.	No power to the fixture.	Confirm that the power is switched on and cables are plugged in.
	No output from PSU.	Replace the PSU.
Fixture suddenly turned off.	Power was turned off.	Check the power supply, switches and breakers.
Light output cuts out intermittently.	Fixture is too hot.	Check fixture's stored error messages for more information. Allow fixture to cool. Clean fixture. Reduce ambient temperature.
Fixture suddenly stopped responding.	DMX cables were disconnected.	Inspect DMX cables.
Fixture operates irregularly / abnormal.	Incorrect DMX address or DMX mode.	Inspect and enter the correct DMX address or mode.
	DMX link is not terminated.	Install a XLR 120ohm DMX termination at the end of the DMX link.
	Bad data link.	Replace or repair defective cables and/or connections.
	One of the fixtures is defective and is disturbing data transmission on the link.	Track and isolate the corrupted fixture. Have the fixture serviced by a qualified technician.

10/ Fixture Cleaning

Regular cleaning is very important for fixture life and performance. Buildup of dust, dirt, smoke particles, fog fluid residues, etc. degrades the fixture's light output and cooling ability. Cleaning schedules for lighting fixtures vary greatly depending on the operating environment. It is therefore impossible to specify precise cleaning intervals for the fixture. Environmental factors that may result in a need for frequent cleaning include:

- ▶ Use of smoke or fog machines.
- ▶ High airflow rates (near air conditioning vents, for example).
- ▶ Airborne dust (from stage effects, building structures and fittings or the natural environment at outdoor events, for example).

If one or more of these factors is present, inspect fixtures within their first few hours of operation to see whether cleaning is necessary. Check again at frequent intervals. This procedure will allow you to assess cleaning requirements in your particular situation.

Follow these precautions when cleaning the fixture:

- ▶ Work in a clean, dry, well-lit area.
- ▶ Use gentle pressure only. A soft lint-free cloth dampened with a solution of water and a mild detergent is recommended, under no circumstances should alcohol, solvents or abrasives be used! Use care when cleaning optical components: surfaces are fragile and easily scratched.

11/ Approvals and Certifications

This product has been tested and found to comply with the following standards:

- 2014/30/EU - Electromagnetic Compatibility (EMC)
- 2014/35/EU - Low Voltage Directive (LVD)
- cETLus Approved (Control #5000057)



The information in this document is subject to change without notice.

For the latest information, visit www.acmelighting.com.



www.acmelighting.com