

HUELINE 16 IP

HL 16 IP



Light Source

16 x 25W RGBWAC+UV LEDs

Beam Angle

21°-49°

Field Angle

45°-109°

Total Lumen Output of Fixture

5,600 lumens

Protection Rating

IP66

Acme

HUELINE 16 IP



Main Features

LED engine comprised of 16 x 25W RGBWAC+UV LEDs

Multi-spectrum light source
16 individually controllable LEDs,
each with adjustable frost effects
Beam Angle: 21°-49°
Field Angle: 45°-109°
Total Lumen Output of Fixture: 5,600 lumens

Outstanding color mixing

Variable CTO ranging from 2,500K-8,000K
Outstanding strobe effect with variable speed
Smooth dimming 0-100%

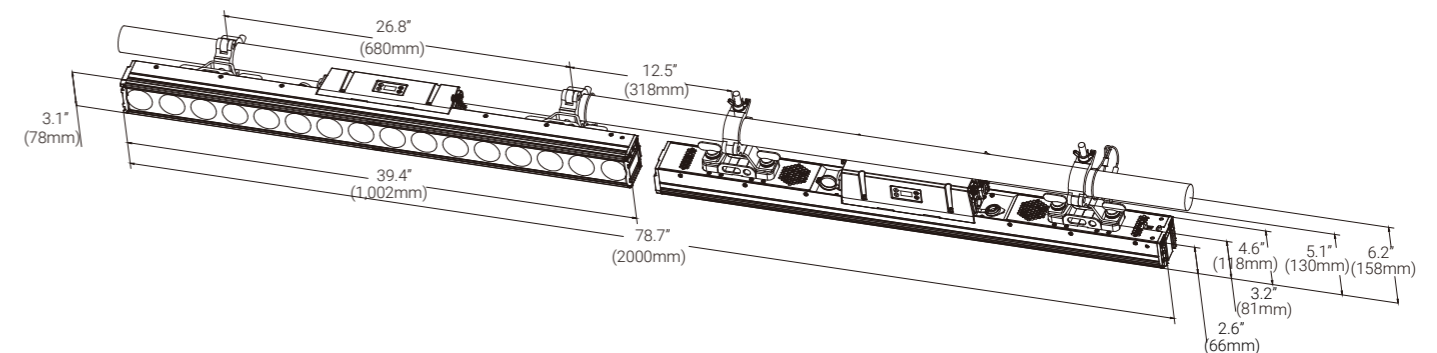
Tungsten emulation

Incorporating UV LED can create unique stage effects
The unique deep red and deep blue light sources allows
a wider color gamut
With an ultra-narrow bezel, it achieves a 90% light-to-screen ratio
for an expansive visual experience

Mounted with the floor stands, it achieves 180° tilt movement

Integrated interlocking system for combining units
Multiple installation methods are possible with optional accessories
Equipped with an optional diffuser filter and glare shield
for additional wash effects
IP66 rated

Technical Specifications



Light Source

- Light Source: 16 x 25W RGBWAC+UV LEDs
- Total Lumen Output of Fixture: 5,600 lumens
- 16 individually controllable LEDs, each with frost effects
- Life Expectancy: 20,000 hours*

*Source manufacturer specification

Optical System

- Beam Angle: 21°-49°
- Field Angle: 45°-109°
- HCRI Mode: Ra≥92
- DMX Controllable Smart Glass technology Patent No.:
- CN216010577U
- US11698183B1
- DE202023101966U1
- FR3134870B3

Colors

- Linear CTO Color Correction: 2,500K-8,000K



Other Effects

- Tungsten emulation
- Outstanding color mixing
- Outstanding strobe effect with variable speed
- Smooth dimming 0-100%
- Dimming Frequency: 12kHz
- The unique deep red and deep blue light sources allows a wider color gamut
- With an ultra-narrow bezel, it achieves a 90% light-to-screen ratio for an expansive visual experience
- Equipped with an inventive quick-release mechanism that allows you to quickly connect and align multiple fixtures

Pan & Tilt

- Tilt Movement: 180° (mounted with the floor stands)

Control

- 4 touch button control panel
- Display: OLED display
- Protocols: DMX512, RDM, Art-Net, sACN
- DMX Protocol Modes: 2
- Control Channels: 16/133
- Firmware Upgrade: Upgrade via DMX link

Electrical and Connectors

- Input Voltage Range: 100-240Vac; 50/60Hz
- Power Consumption: 190W
- Power In/Out: Waterproof power connector in/out
- Data In/Out: 3-pin or 5-pin waterproof XLR, waterproof RJ45 connector

Physical Information

- Fixture Dimensions: 1,002 x 148 x 193 mm (39.5" x 5.8" x 7.6")
- Weight: 9.6 kg (21.2 lbs)

Packing Information

- Flight Case Dimensions: 1,220 x 610 x 845 mm (48.0" x 24.0" x 33.3")
- Weight: Standard: G.W.: 159 kg (350.5 lbs) (ten-pack loader case)
- North American Standard: G.W.: 170 kg (374.8 lbs) (ten-pack loader case)
- Carton Dimensions: 1,100 x 265 x 185 mm (43.5" x 10.4" x 7.3")
- Weight: G.W.: 11.5 kg (25.4 lbs) (one-pack loader carton)

Work Environment

- Maximum Ambient Temperature: 40°C
- Minimum Operating Temperature: -10°C
- Maximum Surface Temperature: 65°C
- Protection Rating: IP66

Installation

- Horizontal or vertical mounting
- 2 omega brackets
- Horizontal: Utilizing two omega brackets (supplied) and clamps (by others)
- Floor: Utilizing two omega brackets (supplied) and two floor stands (supplied)
- Safety cable attachment point

Included Items

- Digital user manual
- Power cable
- 2 omega brackets (3002003002)
- 2 floor stands (63583845)

1. Horizontal

Utilizing two omega brackets (supplied) and clamps (by others)



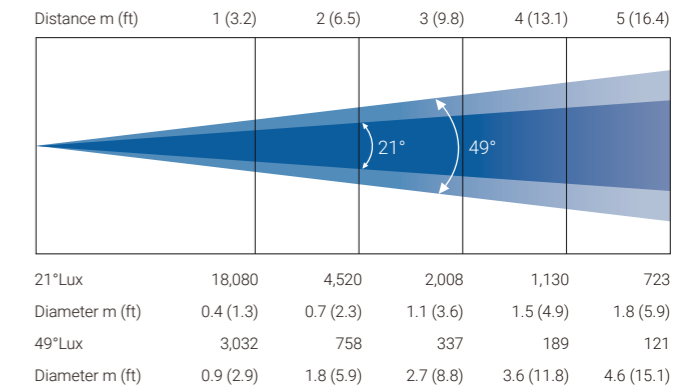
2. Floor

Utilizing two omega brackets (supplied) and two floor stands (supplied)

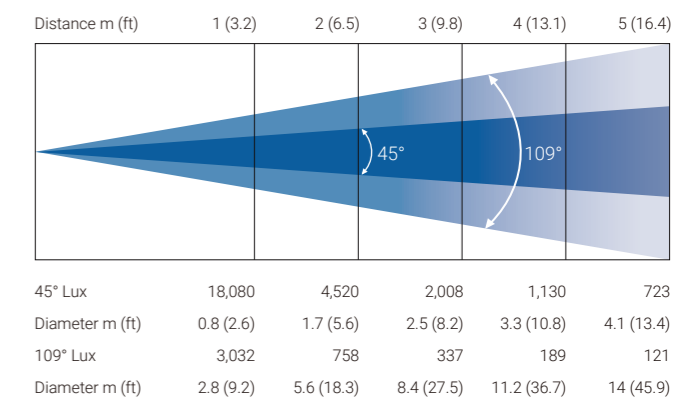


Photometric (Images)

Beam Angle:



Field Angle:



Optional Accessories (With Order Code)

- Flight Case: Standard : Ten-pack loader case (63583828) North American Standard : Ten-pack loader case (63583784)
- Clamp : C-250B (2060001632-B),C-300 (2060001000)
- Safety Cable: SW-05 (2060001603-A)
- Signal Cable: 3-pin waterproof signal cable (3017013468) or 5-pin waterproof signal cable (3017013473)
- Glare Shield: 63583846
- Diffuser Filter (40° x 20°): 3005006304



Specifications subject to change without notice. 05/05/2025