

*Note: This product isn't sold in North America.

SAGITTA IP

XP 400 BEAM IP



Light Source

PHILIPS MSD Platinum 18R LL

Diameter of Frontal Lens

170 mm

Beam Angle

2°

Protection Rating

IP66



SAGITTA IP



Main Features

Light Source: PHILIPS MSD Platinum 18R LL

170 mm diameter frontal lens

Beam Angle: 2°

Total Lumen Output of Fixture: 9,900 lumens

Color Temperature Output of Fixture: 7,800K

Variable CTO ranging from 2,800K-7,000K

1 Static Gobo Wheel:

10 gobos and 3 effect gobos, plus open

1 Color Wheel: 14 colors, plus open

1 FX Wheel: 3 effect gobos, overlapping with static gobo wheel

2 Combinable Rotating and Indexable Prisms:

1 x 8-facet circular prism,

1 x 24-facet circular prism, rotatable and overlayable in both directions

1 frost filter

2 diffuser filters

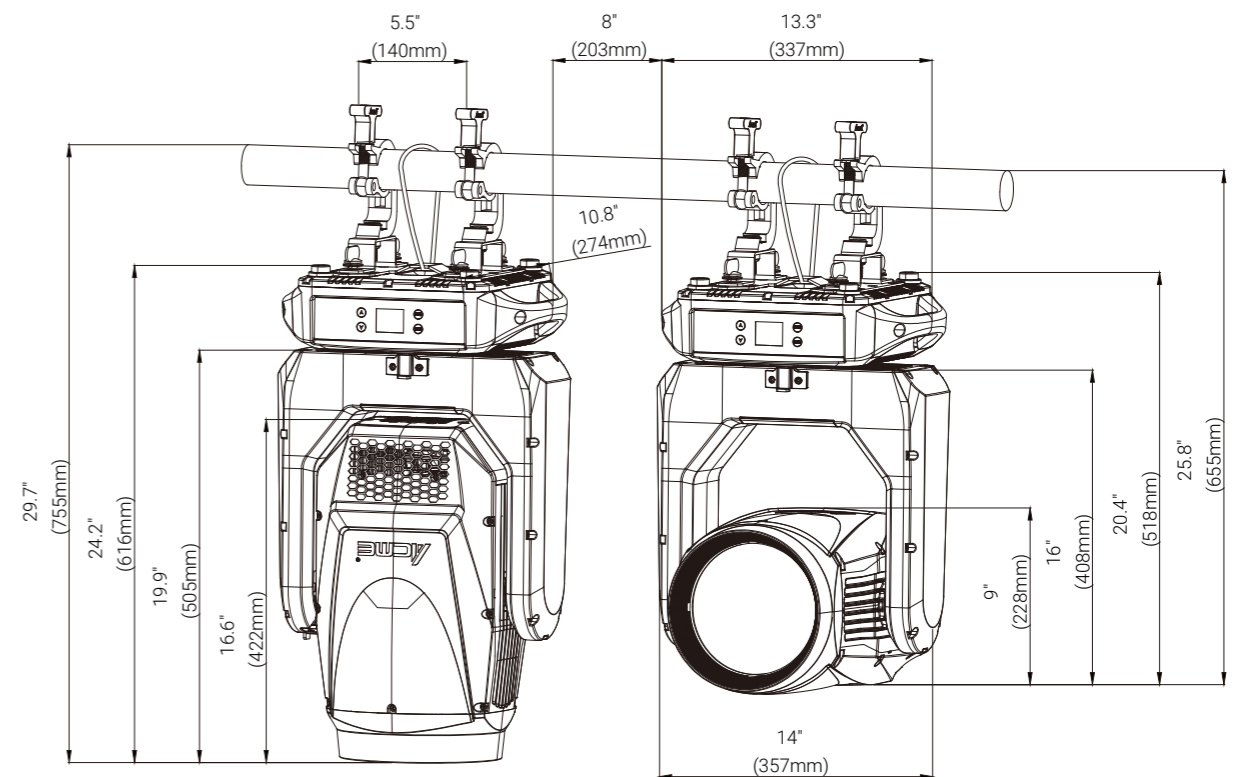
Motorized focus

Outstanding strobe effect with variable speed

Smooth dimming 0-100%

IP66 rated

Technical Specifications



Light Source

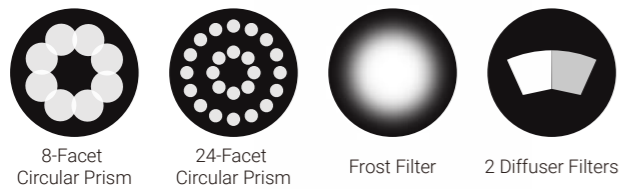
- Light Source: PHILIPS MSD Platinum 18R LL
- Color Temperature Output of Fixture: 7,800K
- Total Lumen Output of Fixture: 9,900 lumens
- Life Expectancy: 6,000 hours*

*Source manufacturer specification

Optical system

- Beam Angle: 2°
- Diameter of Frontal Lens: 170 mm

Prism / Frost Filter / Diffuser Filter

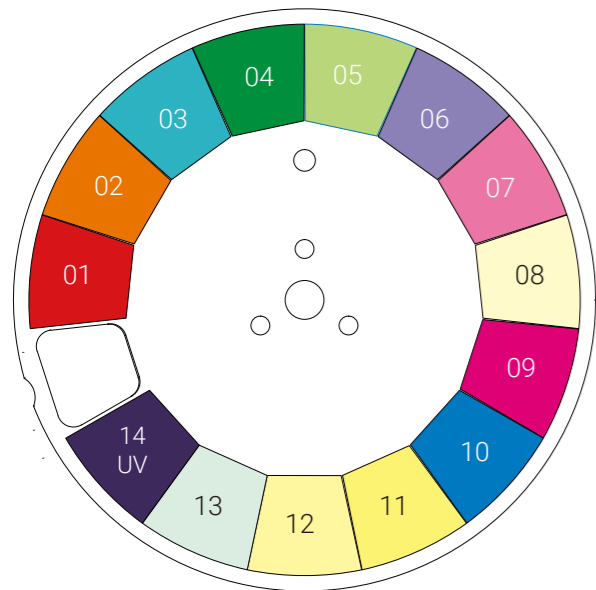


Colors

- Linear CTO Color Correction: 2,800K-7,000K



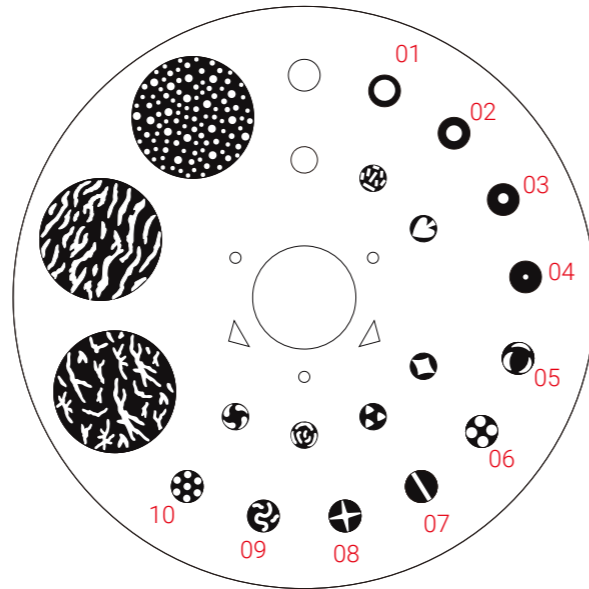
- 1 Color Wheel: 14 colors, plus open



Color Wheel

Static Gobos

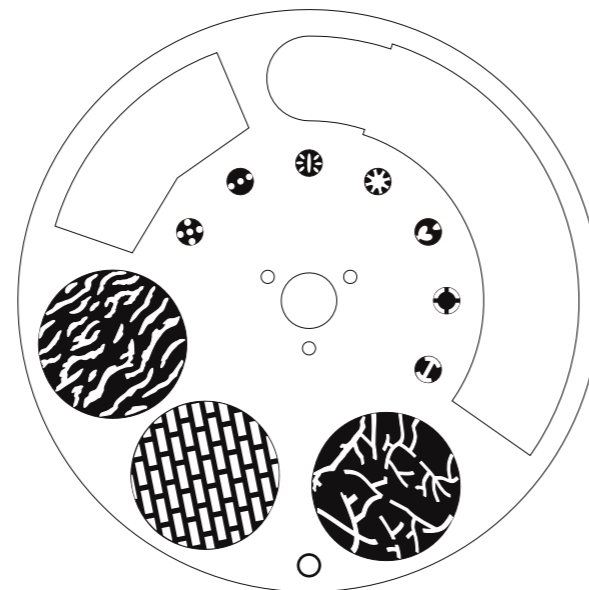
- 1 Static Gobo Wheel: 10 gobos and 3 effect gobos, plus open



Static Gobo Wheel

FX Wheel

- 1 FX Wheel: 3 effect gobos, overlapping with static gobo wheel
- Provide two softening effects



FX Wheel

Other Effects

- Outstanding strobe effect with variable speed
- Motorized focus
- Smooth dimming 0-100%

Pan & Tilt

- Pan Movement: 540°
- Tilt Movement: 270°
- Automatic Pan/Tilt position correction
- Resolution: 16 bit

Control

- 4 button touch control panel
- Display: LCD display
- Protocols: DMX512, RDM, Art-Net, sACN
- DMX Protocol Modes: 2
- Control Channels: 19/20
- Firmware Upgrade: Upgrade via DMX link or USB disk

Electrical and Connectors

- Input Voltage Range: 100-240Vac; 50/60Hz
- Power Consumption: 570W
- Power In/Out: Waterproof Power connector in/out
- Data In/Out: 3-pin or 5-pin waterproof XLR, RJ45 connectors

Physical Information

- Fixture Dimensions: 357 x 274 x 616 mm (14.0" x 10.8" x 24.0")
- Weight: 24 kg (53 lbs)

Packing Information

- Flight Case Dimensions: 930 x 580 x 875 mm (36.6" x 12.8" x 34.5")
- Weight: Standard: G.W.: 105 kg (231.5 lbs) (two-pack loader case)
- Carton Dimensions: 550 x 475 x 645 mm (21.7" x 18.7" x 25.4")
- Weight: 30 kg (66.1 lbs) (one-pack loader carton)

Work Environment

- Maximum Ambient Temperature: 40°C
- Minimum Operating Temperature: -10°C
- Maximum Surface Temperature: 85°C
- Protection Rating: IP66

Installation

- Horizontal or vertical mounting
- Universal working position
- 2 omega brackets
- Safety cable attachment point

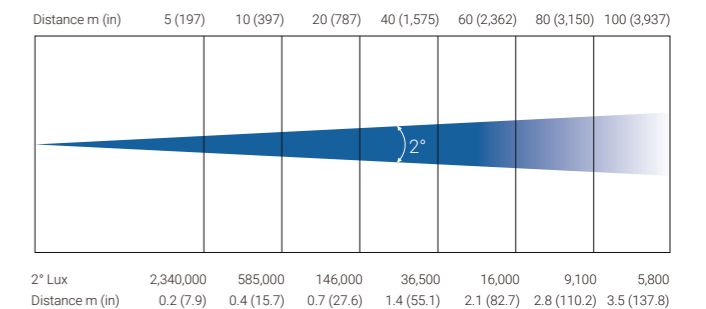
Included Items

- Digital user manual
- Power cable
- 2 omega brackets (3002003003)

Optional Accessories (With Order Code)

- Clamps: C-250B (2060001632-B)
- Safety Cable: SW-02 (2060000200)
- Signal Cable: 3-pin waterproof signal cable (3017013468) or 5-pin waterproof signal cable (3017013473)

Photometric (Images)



Specifications subject to change without notice.

***Note: This product isn't sold in North America.**

09/09/2025