

O₂xygen

CM 400Z



Light Source
7 x OSRAM 40W RGBW LEDs

Beam Angle
4.5°-36.5°

Field Angle
8.5°-56.5°

Total Lumen Output of Fixture
3,170 lumens



Main Features

Light Source: 7 x OSRAM 40W RGBW LEDs

- Powerful beam and wash effects
- Individual pixel control
- Beam Angle: 4.5°-36.5°
- Field Angle: 8.5°-56.5°

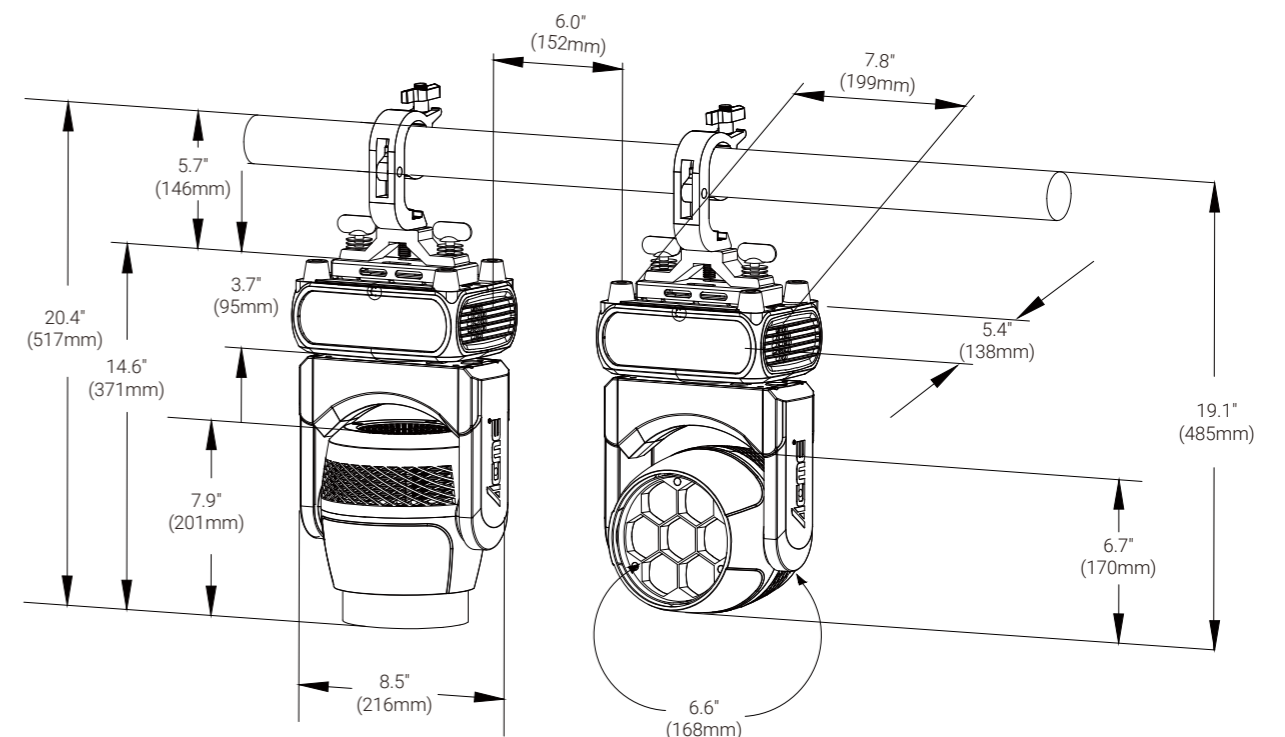
Variable CTO: 2,500K-8,000K

- Uniform RGBW color mixing and color effects
- Automated color correction system to ensure a consistent output
- Motorized linear zoom system
- Outstanding strobe effect with variable speed
- Smooth dimming 0-100%

Compact design

- Fast and silent operation
- Flicker free operation

Technical Specifications



Light Source

- Light Source: 7 x OSRAM 40W RGBW LEDs
- Life Expectancy: 20,000 hours* manufacturer specification

Optical System

- Advanced optical system for uniform beam and wash effects
- High-efficiency, smooth zoom system, ratio 8:1
- Beam Angle: 4.5°-36.5°
- Field angle: 8.5°-56.5°
- Total Lumen Output of Fixture: 3,170 lumens

Colors

- Uniform RGBW color mixing and color effects
- Linear CTO Color Correction: 2,500K-8,000K



Other Effects

- Motorized linear zoom system
- Automated color correction system to ensure a consistent output
- Outstanding strobe effect with variable speed
- Smooth dimming 0-100%

Pan & Tilt

- Pan/Tilt Resolution: Moving-head operated with 16 bit resolution
- Pan Movement: 540°
- Tilt Movement: 230°
- Automatic Pan/Tilt position correction

Control

- 4 touch button control panel
- Display: OLED display
- Protocols: DMX512, RDM
- DMX Protocol Modes: 2
- Control Channels: 17/37
- Firmware Upgrade: Upgrade via DMX link

Electrical and Connectors

- Power supply with electronic auto-ranging
- Input Voltage Range: 100-240Vac; 50/60Hz
- Power Consumption: 340W
- Power In/Out: Power connector in/out
- Data In/Out: 3-pin or 5-pin XLR

Physical Information

- Fixture Dimensions: 216 x 165 x 343 mm (8.5" x 6.5" x 13.5")
- Weight: 6.3 kg (13.9 lbs)

Packing Information

- Flight Case Dimensions 1: 1,105 x 530 x 600 mm (43.5" x 20.9" x 23.6")
- Weight : Standard : G.W.: 102 kg (224.9 lbs) (eight-pack loader case)
- Flight Case Dimensions 1: 1,220 x 610 x 610 mm (48.0" x 24.0" x 24.0")
- Weight : North American Standard : G.W.: 116 kg (255.7 lbs) (eight-pack loader case)
- Carton Dimensions: 315 x 255 x 425 mm (12.4" x 10.0" x 16.7")
- Weight : G.W.: 7.8 kg (17.2 lbs) (onr-pack loader carton)

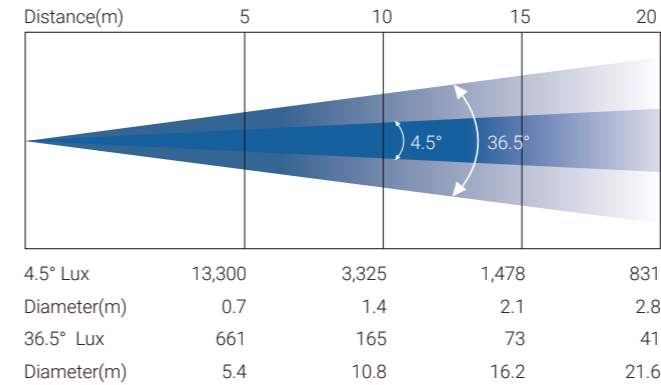
Work Environment

- Maximum Ambient Temperature: 40°C
- Minimum Operating Temperature: 0°C
- Maximum Surface Temperature: 65°C
- Protection Rating: IP20

Installation

- Horizontally or vertically mounting
- Universal working position
- 2 x 1/4-turn locking point under the base
- 1 x omega bracket
- Safety cable attachment point

Photometric (Images)



Specifications subject to change without notice.
11/03/2025