

HUE 6 IP

Outdoor Moving Profile with Enhanced Color Range

SPEC SHEET



Foshan YiFeng Electric Industrial Co.,Ltd.

No.898, Gaoming Avenue East, Hecheng Blvd, Gaoming District, Foshan, Guangdong, China.

Web: www.acmelighting.com Email: sales@acmelighting.com

All rights reserved by Acme®. Features, specifications and appearance are subject to change without notice.

REV: 03/02/2026

Acme®

HUE 6 IP

Outdoor Moving Profile with Enhanced Color Range

SPEC SHEET

FIXTURE OVERVIEW

- The ACME **HUE 6 IP** moving profile is the first luminaire in the HUE series, designed to bring stories to life on stage. Combining BEAM, SPOT, WASH, and FRAMING in one IP66-rated unit, the fixture delivers vibrant color with an enhanced color range and deep saturated colors due to its additive engine outperforming equivalent wattage white engine fixtures with CMY color mixing.
- Equipped with a 600W RGBAL LED engine, the **HUE 6 IP** delivers 13,000 lumens of output through its 160 mm frontal lens, ensuring striking stage presence. With an 8:1 zoom ratio and a zoom range of 6° to 50°, it transitions seamlessly from crisp beams to wide, even washes. The virtual CMY and CTO, both controlled via DMX, enable precise color mixing and adjustable color temperatures for enhanced atmosphere control. Its high CRI (Ra≥90) brings every color to life, rendering all skin tones flawlessly.
- Featuring five-color LED mixing technology, the fixture delivers professional color performance with up to 51 rich color presets. A five-color wheel further enhances saturation beyond the capabilities of LED mixing alone. By combining the 51 color presets with the physical color wheel, the fixture achieves an ultra-wide color gamut, producing richer, more saturated colors. This enhanced color range gives lighting designers the freedom to create expressive looks.
- Designed for all around versatility, the fixture features a static gobo wheel, a rotating gobo wheel, dual rotating prisms, two combinable frost filters for soft-edge effects, and four full blackout shutter blades for precise beam shaping. The graphic animation wheel with continuous bi-directional rotation as well as bidirectional insertion, delivers dynamic effects with both vertical and horizontal movement.
- From theatrical performances to opera and professional stage productions, the **HUE 6 IP** paints the stage in rich, expressive colors and shapes the light for every scene.



FEATURE HIGHLIGHTS

- LED engine comprised of 600W RGBAL LED
- 160 mm diameter frontal lens
- Zoom Range: 6°-50°
- Fixture Luminous Output: 13,000 lumens
- Color Temperature Output of Fixture: 6,200K
- CRI≥90
- Virtual CMY color mixing
- Virtual CTO: 2,500K-8,000K
- 1 Static Gobo Wheel: 7 gobos, plus open
- 1 Rotating Gobo Wheel: 7 gobos, plus open
- Virtual Color Wheel: 51 color presets
- Color Wheel: 5 colors, plus open
- 2 Combinable Rotating and Indexable Prisms:
 - 1 x 4-facet circular prism, 1 x 4-facet linear prism, rotatable in both directions
- 1 combinable light frost filter and 1 combinable medium frost filter
- 4 rotating full blackout framing shutter blades with individually controllable; ±60° rotation of the framing system module
- Outstanding strobe effect with variable speed
- Motorized focus system
- Motorized linear Iris
- Smooth dimming 0-100% (4 user selectable dimming curves)
- IP66 rated

Foshan YiFeng Electric Industrial Co.,Ltd.

No.898, Gaoming Avenue East, Hecheng Blvd, Gaoming District, Foshan, Guangdong, China.

Web: www.acmelighting.com Email: sales@acmelighting.com

All rights reserved by Acme®. Features, specifications and appearance are subject to change without notice.

REV: 03/02/2026

Acme®

TECHNICAL SPECIFICATIONS

Light Source

- Light Source: 600W RGBAL LED engine
- Color Temperature Output of Fixture: 6,200K
- Life Expectancy: 20,000 hours*
- *Source manufacturer specification

Photometric Data

- Light Engine Luminous Output: 30,000 lumens
- Fixture Luminous Output: 13,000 lumens
- CCT: 6,200K (+/- 200K)
- CRI \geq 90
- TM-30 Rf (IES TM-30-15 Fidelity Index): 90
- TM-30 Rg (IES TM-30-15 Fidelity Index): 101
- TLCI: 91
- Peak Luminous Intensity: 445,000 cd

Optical System

- Zoom Range: 6°-50°
- Diameter of Frontal Lens: 160 mm

Control & Program

- 4 touch button control panel
- Display: LCD display
- Protocols: DMX512, RDM, Art-Net, sACN
- Setting and Addressing: Display menu, RDM
- DMX Modes: 4
- DMX Channels: 43/45/46/50
- Firmware Upgrade: Upgrade via DMX link or USB stick

Pan & Tilt

- Pan: 540°
- Tilt: 270°
- Automatic Pan/Tilt position correction
- Resolution: 16 bit
- Fixation: Pan/Tilt lock

Color Mixing

- Virtual CMY color mixing

Color Correction

- Virtual CTO: 2,500K-8,000K

Color Wheel

- Virtual Color Wheel: 51 color presets
- Color Wheel: 5 colors, plus open

Static Gobo Wheel

- 1 Static Gobo Wheel: 7 gobos, plus open

Rotating Gobo Wheel

- 1 Rotating Gobo Wheel: 7 gobos, plus open
- Gobo Diameter: 24 mm
- Image Diameter: 20 mm
- Gobo Thickness: 1.1 mm
- Coating: Black high-temperature coating
- Material: Borofloat

Gobo Animation

- A graphic animation wheel with continuous rotation in both directions, offering excellent vertical and horizontal movement. It can be used alone or in combination with gobos to create the splendid water wave & flame effect

Framing

- Shutter Blades: 4 blades, each with separate movement and full blackout
- Rotation: $\pm 60^\circ$ of the complete framing system

Iris

- Motorized linear Iris

Frost

- 1 combinable light frost filter and 1 combinable medium frost filter

Focus

- Motorized focus system

HUE 6 IP

Outdoor Moving Profile with Enhanced Color Range

SPEC SHEET

TECHNICAL SPECIFICATIONS

Prism

- 2 Combinable Rotating and Indexable Prisms:
1 x 4-facet circular prism, 1 x 4-facet linear prism, rotatable in both directions

Electrical

- Input Voltage Range: 100-240Vac; 50/60Hz
- Power Consumption: 820W
- Power In/Out: Waterproof power connector in/out
- Data In/Out: 3-pin or 5-pin waterproof XLR, waterproof RJ45 connector

Physical

- Weight: 32 kg (70.6 lbs)
- Length (Head): 476 mm (18.7")
- Length (Base): 380 mm (14.9")
- Width (Across Yoke): 379 mm (14.9")
- Height (Head Up): 658 mm (25.9")

Construction

- Housing: Aluminum-magnesium alloy and nylon
- Color: Black
- Protection Rating: IP66

Work Environment

- Maximum Ambient Temperature: 45°C
- Minimum Operating Temperature: -20°C
- Maximum Surface Temperature: 75°C

Acoustic Data

- Noise Level (Standard Mode):
44 dB(A) @ 1 m
- Noise Level (Quiet Mode):
40 dB(A) @ 1 m

Installation

- Universal working position
- 2 omega brackets
- Safety cable attachment point

Approvals

- CE compliant
EMC directive 2014/30/EU
LVD directive 2014/35/EU
- cETLus compliant
UL 1573
- UKCA compliant
Electromagnetic Compatibility Regulations 2016
Electrical Equipment (Safety) Regulations 2016



HUE 6 IP

Outdoor Moving Profile with Enhanced Color Range

SPEC SHEET

INCLUDED ITEMS

Included Items

- Digital user manual
- Power cable
- 2 omega brackets (3002003002)

ORDERING INFORMATION

Optional Accessories (With Order Code)

- Flight Case:
 - Standard : Two-pack loader case (63584232)
 - North American Standard:
 - Two-pack loader case (63584290)
- Signal Cable:
 - 3-pin waterproof signal cable (3017013468) or
 - 5-pin waterproof signal cable (3017013473)
- Safety Cable: SW-05 (2060001603-E), waterproof RJ45
- Clamp: C-250B (2060001632-B)

Carton Dimensions

- Width: 610 mm (24.0")
- Depth: 490 mm (19.3")
- Height: 715 mm (28.2")
- Weight:
 - G.W.: 38 kg (83.8 lbs) (one-pack loader carton)



3-pin/5-pin waterproof
signal cable: 3017013468/3017013473



SW-05: 2060001603-E



C-250B: 2060001632-B



Standard : Two-pack loader case (63584232)

Foshan YiFeng Electric Industrial Co.,Ltd.

No.898, Gaoming Avenue East, Hecheng Blvd, Gaoming District, Foshan, Guangdong, China.

Web: www.acmelighting.com Email: sales@acmelighting.com

All rights reserved by Acme®. Features, specifications and appearance are subject to change without notice.

REV: 03/02/2026

Acme®

HUE 6 IP

Outdoor Moving Profile with Enhanced Color Range

SPEC SHEET

(STANDARD) FLIGHT CASE

APPLICABLE MODELS

- ARES IP (XP 500 BEAM IP)
- ZEUS (XP 500 BSW IP)
- HUE 6 IP (HUE 6 IP)
- PHOTON HYBRID 500 (XL 500 BSW IP)

ORDER CODE

- 63584297 ARES IP (XP 500 BEAM IP)
- 63584148 ZEUS (XP 500 BSW IP)
- 63584232 HUE 6 IP (HUE 6 IP)
- 63584351 PHOTON HYBRID 500 (XL 500 BSW IP)

CASE WEIGHT

- 49 kg (108.1 lbs)

MEAS

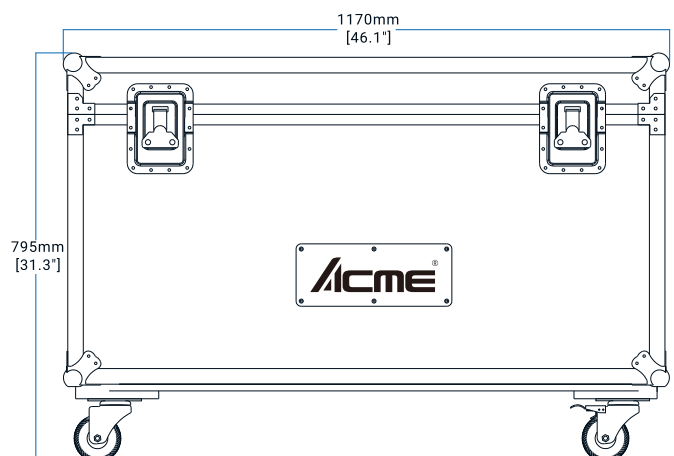
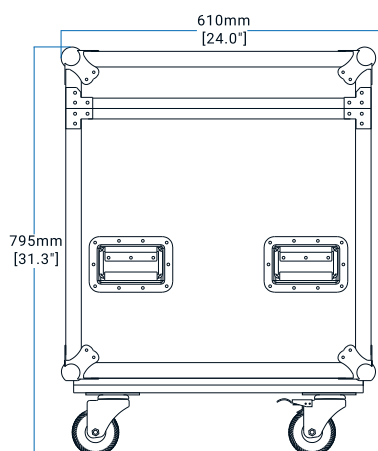
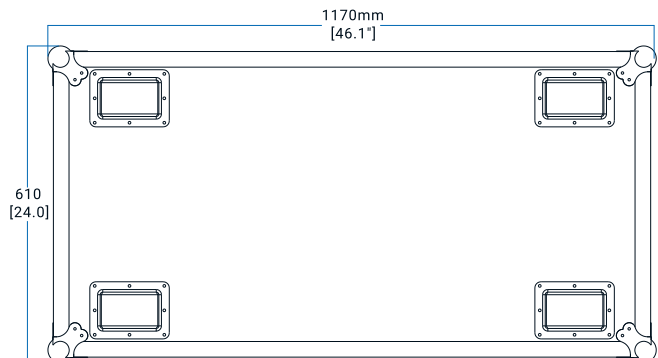
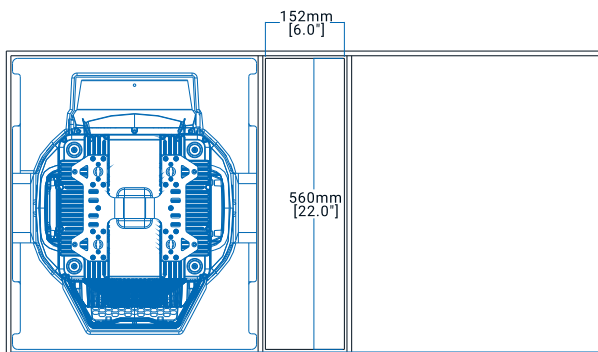
- 1,170 x 610 x 795 mm (46.1" x 24.0" x 31.3")

LOADING Q'TY

- Two-pack loader case

MAXIMUM STACKING

- 2 stacks



ACASE by ACME Version: 20260123-C

Foshan YiFeng Electric Industrial Co.,Ltd.

No.898, Gaoming Avenue East, Hecheng Blvd, Gaoming District, Foshan, Guangdong, China.

Web: www.acmelighting.com Email: sales@acmelighting.com

All rights reserved by Acme®. Features, specifications and appearance are subject to change without notice.

REV: 03/02/2026

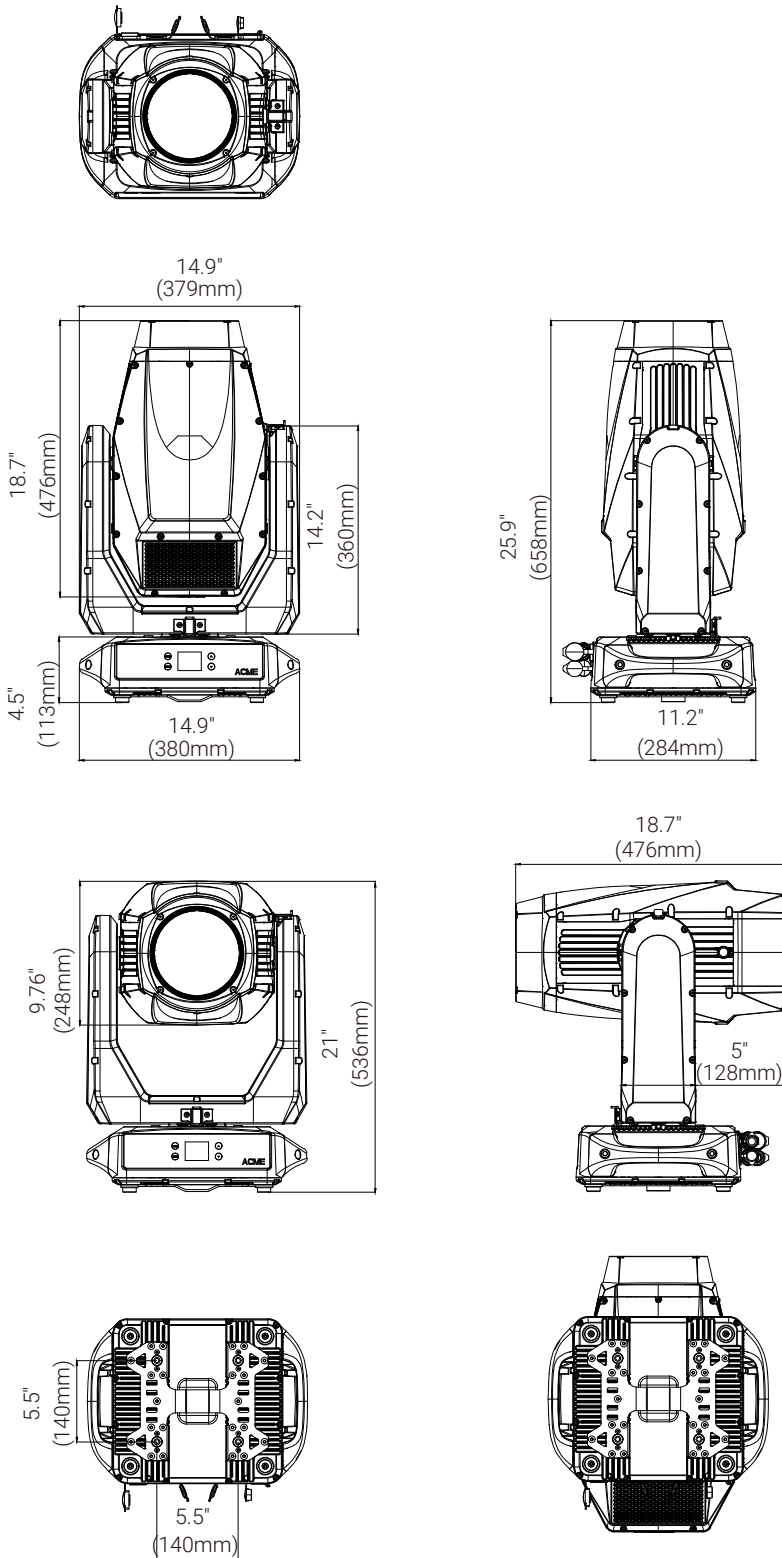
ACME®

HUE 6 IP

Outdoor Moving Profile with Enhanced Color Range

SPEC SHEET

DIMENSIONS



Foshan YiFeng Electric Industrial Co.,Ltd.

No.898, Gaoming Avenue East, Hecheng Blvd, Gaoming District, Foshan, Guangdong, China.

Web: www.acmelighting.com Email: sales@acmelighting.com

All rights reserved by Acme®. Features, specifications and appearance are subject to change without notice.

REV: 03/02/2026

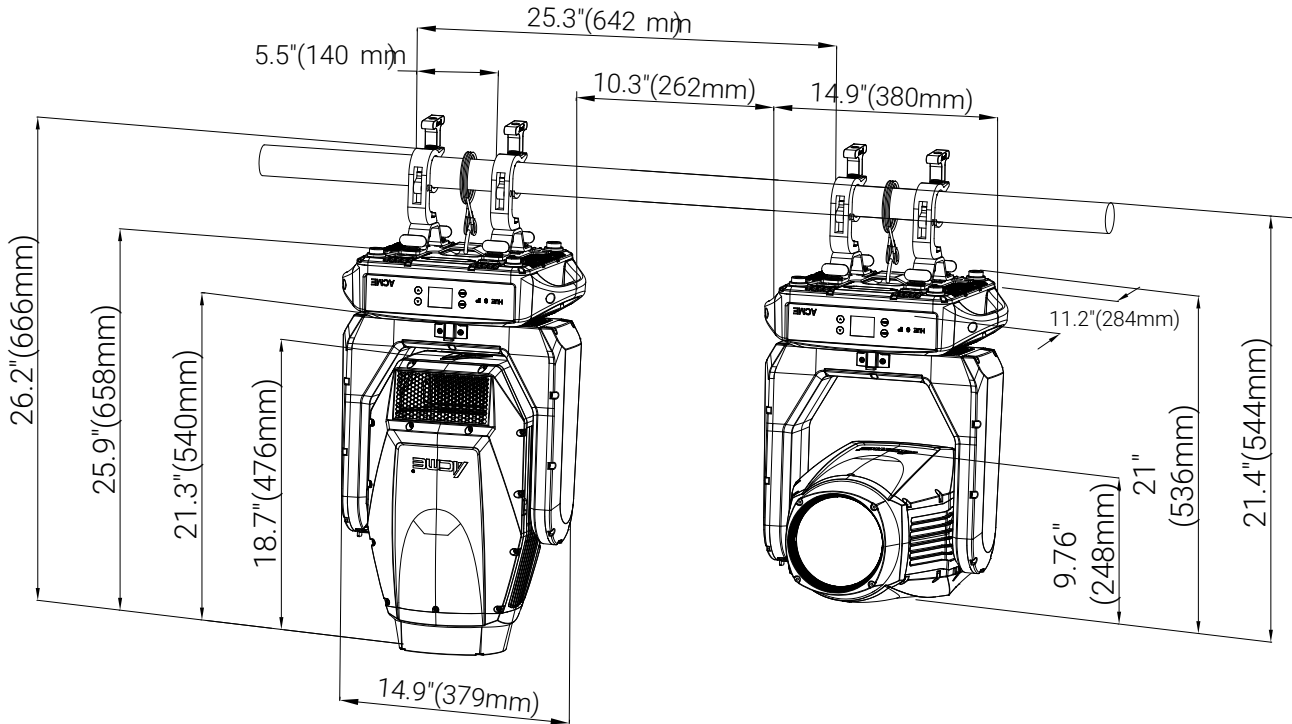
Acme®

HUE 6 IP

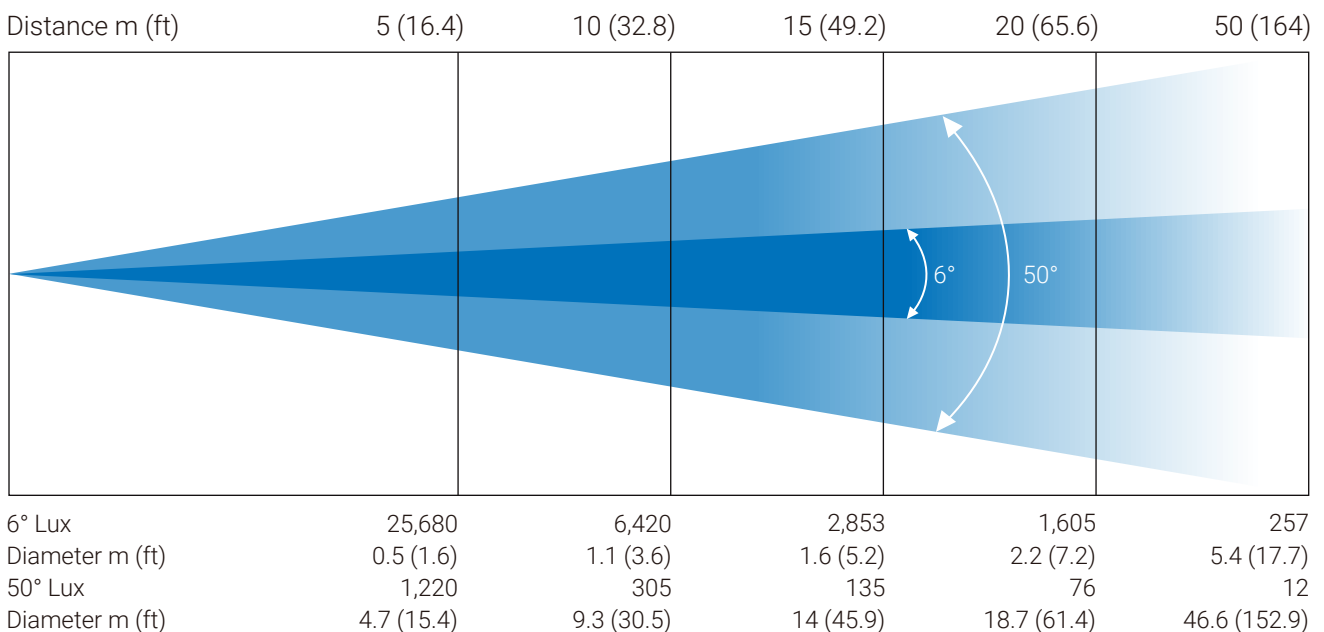
Outdoor Moving Profile with Enhanced Color Range

SPEC SHEET

HANGING DIMENSIONS



PHOTOMETRIC



Foshan YiFeng Electric Industrial Co.,Ltd.

No.898, Gaoming Avenue East, Hecheng Blvd, Gaoming District, Foshan, Guangdong, China.

Web: www.acmelighting.com Email: sales@acmelighting.com

All rights reserved by Acme®. Features, specifications and appearance are subject to change without notice.

REV: 03/02/2026



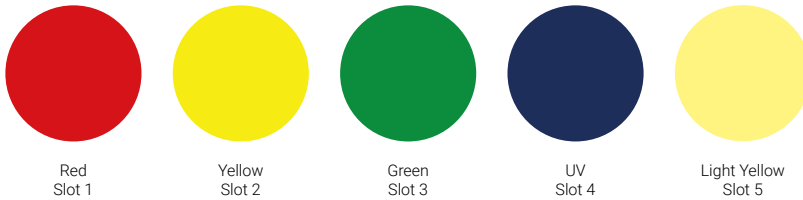
HUE 6 IP

Outdoor Moving Profile with Enhanced Color Range

SPEC SHEET

DYNAMIC EFFECTS

Color Wheel



Virtual color wheel



HUE 6 IP

Outdoor Moving Profile with Enhanced Color Range

SPEC SHEET

DYNAMIC EFFECTS

Static Gobo Wheel



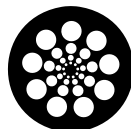
Slot 1



Slot 2



Slot 3



Slot 4



Slot 5



Slot 6

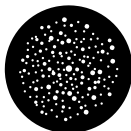


Slot 7

Rotating Gobo Wheel



Slot 1



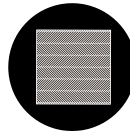
Slot 2



Slot 3



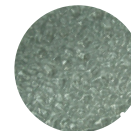
Slot 4



Slot 5



Slot 6

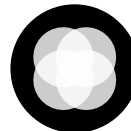


Slot 7

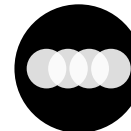
Virtual CMY color mixing



Prism/Frost Filter



1 x 4-Facet Circular Prism



1 x 4-Facet Linear Prism



1 Light Frost Filter

Virtual CTO

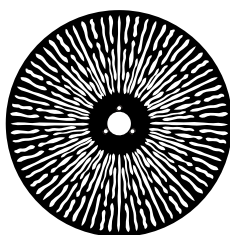


2,500K-8,000K



1 Medium Frost Filter

Animation Wheel



Framing/Iris



Framing Module



Linear Iris