

# SUPERNOVA LT

Outdoor Moving Profile – Ultimate Long-Throw Power

**SPEC SHEET**



Foshan YiFeng Electric Industrial Co.,Ltd.

No.898, Gaoming Avenue East, Hecheng Blvd, Gaoming District, Foshan, Guangdong, China.

Web: [www.acmelighting.com](http://www.acmelighting.com) Email: [sales@acmelighting.com](mailto:sales@acmelighting.com)

All rights reserved by Acme®. Features, specifications and appearance are subject to change without notice.

REV: 26/02/2026

**Acme**®

# SUPERNOVA LT

Outdoor Moving Profile — Ultimate Long-Throw Power

**SPEC SHEET**

## FIXTURE OVERVIEW

- As a revolutionary evolution of the SUPERNOVA, the all-new ACME **SUPERNOVA LT** is the first long-throw luminaire in ACME range. It delivers unmatched brightness, ultra-intense beams, and a larger lens, setting a new standard in high performance lighting.
- Equipped with an industry-leading 1,800W LED engine, the **SUPERNOVA LT** delivers a jaw-dropping 70,000 lumens of output with even beam distribution. The fixture develops an ultra-large 245 mm frontal lens, bringing high impact visuals to any production. Its advanced optical system is designed to meet any creative needs. With three switchable zoom modes, it offers designers complete flexibility from wide coverage to extreme long-throw precision. In standard optical zoom mode, the fixture is capable of 3.6° to 52.5° coverage. While using the beam aperture, it can narrow the coverage for 1.9° to 25°. In the long-throw mode, it delivers an ultra-tight 0.9° to 5° beam with crisp, precise beams.
- The **SUPERNOVA LT** elevates every scene with a variable CTO, allowing color temperature adjustment from 2,700K to 6,700K, seamlessly shifting from warm tones to crisp daylight balance. A high CRI mode (Ra≥95) ensures natural, accurate color reproduction, bringing out every detail with stunning clarity. To unlock limitless color possibilities, the fixture combines a CMY color mixing system for smooth transitions, with dual color wheels for rich, vibrant hues.
- Take creativity to the next level. The **SUPERNOVA LT** is packed with effects to inspire designers. It features dual rotating gobo wheels, each with six gobos, and an animation wheel capable of both horizontal and vertical movement. These rotating gobos can be paired with two rotating prisms—a 4-facet circular prism and a 4-facet linear prism—to create dynamic, multi-layered lighting effects. Its combinable light and medium frost filters soften beam edges for smooth, even washes, creating magical effects across the stage. Featuring a ±60° rotating framing module with four independent shutter blades, the fixture enables precise beam shaping, fast positioning, and instant full blackout, adding visual depth and dramatic impact to any stage.
- Engineered for reliable long-term outdoor performance, the IP66-rated **SUPERNOVA LT** features a sunlight protection mode accessible via the menu. When this mode is enabled, the fixture automatically adjusts its head direction upon power-off, shielding the optics from direct sunlight—even without signal control.
- The **SUPERNOVA LT** supports an optional camera enclosure, designed for integration with third-party remote follow spot systems. With the optional follow spot kit—including a follow spot handle and control pad—users can manually control the light, dimming levels, and color temperature, recreating the experience of a traditional follow spot.
- Redefining performance, optical excellence, and output—the **SUPERNOVA LT** stands as the ultimate large-format lighting solution. Engineered for professionals who demand the best, it dominates any high-impact lighting application.



# SUPERNOVA LT

Outdoor Moving Profile – Ultimate Long-Throw Power

**SPEC SHEET**

## FEATURE HIGHLIGHTS

- LED engine comprised of 1,800W LED engine
- 245 mm diameter frontal lens
- Zoom Range:  
Standard Optical Zoom: 3.6°-52.5°  
Using Beam Aperture: 1.9° - 25°  
Long-Throw Mode: 0.9° - 5°
- Fixture Luminous Output:  
Standard Mode: 70,000 lumens  
Quiet Mode: 51,000 lumens  
Theater Mode: 37,100 lumens
- Color Temperature Output of Fixture: 6,700K (native)
- Standard Mode: Ra≥70, HCRI Mode: Ra≥95
- Linear CMY color mixing
- Variable CTO ranging from 2,700K-6,700K
- Outstanding strobe effect with variable speed
- 2 Rotating Gobo Wheels:  
Rotating Gobo Wheel 1: 6 gobos, plus open  
Rotating Gobo Wheel 2: 6 gobos, plus open
- 2 Color Wheels:  
Color Wheel 1: 5 colors, plus open  
Color Wheel 2: 3 colors + CRI, plus open
- 1 graphic animation wheel with continuous rotation in both directions, offering excellent vertical and horizontal movement
- 2 combinable rotating and indexable prisms
- 1 combinable light frost filter and 1 combinable medium frost filter
- 4 rotating full blackout framing shutter blades with individually controllable; ±60° rotation of the framing system module
- Smooth dimming 0-100% (4 user selectable dimming curves)
- IP66 rated

## TECHNICAL SPECIFICATIONS

### Model

- Model Name: SUPERNOVA LT
- Model Code: XA 2000 BSWF IP LT

### Light Source

- Light Source: 1,800W LED engine
- Color Temperature Output of Fixture: 6,700K (native)
- Life Expectancy: 20,000 hours\*
- \*Source manufacturer specification

### Photometric Data

- Light Engine Luminous Output: 120,000 lumens
- Fixture Luminous Output:  
Standard Mode: 70,000 lumens  
Quiet Mode: 51,000 lumens  
Theater Mode: 37,100 lumens
- CCT: 6,700K (+/- 200K)
- Standard Mode: Ra≥70, HCRI Mode: Ra≥95

- TM-30 Rf (IES TM-30-15 Fidelity Index): 73
- TM-30 Rg (IES TM-30-15 Fidelity Index): 93
- TLCI: 47
- CQS: 71
- Peak Luminous Intensity: 7,720,000 cd

### Optical System

- Zoom Range:  
Standard Optical Zoom: 3.6°-52.5°  
Using Beam Aperture: 1.9° - 25°  
Long-Throw Mode: 0.9° - 5°
- Diameter of Frontal Lens: 245 mm

### Control & Program

- 4 touch button control panel
- Display: LCD display
- Protocols: DMX512, RDM, Art-Net, sACN,NFC
- DMX Protocol Modes: 4

Foshan YiFeng Electric Industrial Co.,Ltd.

No.898, Gaoming Avenue East, Hecheng Blvd, Gaoming District, Foshan, Guangdong, China.

Web: www.acmelighting.com Email: sales@acmelighting.com

All rights reserved by Acme®. Features, specifications and appearance are subject to change without notice.

REV: 26/02/2026



# SUPERNOVA LT

Outdoor Moving Profile – Ultimate Long-Throw Power

**SPEC SHEET**

## TECHNICAL SPECIFICATIONS

- Control Channels: 23/32/34/43
- Firmware Upgrade: Upgrade via DMX link or USB stick

### Pan & Tilt

- Pan: 540°
- Tilt: 246°
- Automatic Pan/Tilt position correction
- Resolution: 16 bit
- Pan/Tilt lock

### Color Mixing

- Linear CMY color mixing

### Color Correction

- Linear CTO Color Correction: 2,700K-6,700K

### Color Wheel

- 2 Color Wheels:
  - Color Wheel 1: 5 colors, plus open
  - Color Wheel 2: 3 colors + CRI, plus open

### Rotating Gobo Wheel

- 2 Rotating Gobo Wheels:
  - Rotating Gobo Wheel 1: 6 gobos, plus open
    - Gobo Diameter 1: 34 mm,
    - Image Diameter 1: 26.5 mm
  - Rotating Gobo Wheel 2: 6 gobos, plus open
    - Gobo Diameter 2: 34 mm,
    - Image Diameter 2: 26.5 mm
- Coating: Black coating
- Material: Borofloat

### Gobo Animation

- A graphic animation wheel with continuous rotation in both directions, offering excellent vertical and horizontal movement. It can be used alone or in combination with gobos to create water and flame effects

### Framing

- Shutter Blades: 4 blades, each with separate movement and full blackout
- Rotation:  $\pm 60^\circ$  of the complete framing system

### Iris

- Motorized linear Iris

### Frost

- 1 combinable light frost filter and 1 combinable medium frost filter

### Prism

- 2 Combinable Rotating and Indexable Prisms:
  - 1 x 4-facet circular prism, 1 x 4-facet linear prism, rotatable in both directions

### Electrical

- Input Voltage Range: 180-240Vac; 50/60Hz
- Power Consumption: 2,200W
- Power In/Out: Waterproof power connector in/out
- Data In/Out: 3-pin or 5-pin waterproof XLR, RJ45 connector

### Physical

- Weight: 63.8 kg (140.7 lbs)
- Length (Head): 701 mm (27.6")
- Length (Base): 465 mm (18.3")
- Width (Across Yoke): 544 mm (21.4")
- Height (Head Up): 893 mm (18.3")

### Construction

- Housing: Aluminum-magnesium alloy and nylon
- Color: Black
- Protection Rating: IP66

### Work Environment

- Maximum Ambient Temperature: 45°C
- Minimum Operating Temperature: -20°C
- Maximum Surface Temperature: 80°C

### Acoustic Data

- Standard Mode: Noise Level: 51.6 dB(A)
- Quiet Mode: Noise Level: 46.4 dB(A)
- Theater Mode: Noise Level: 43.1 dB(A)

# SUPERNOVA LT

Outdoor Moving Profile – Ultimate Long-Throw Power

**SPEC SHEET**

## TECHNICAL SPECIFICATIONS

### Installation

- Vertical mounting
- 2 omega brackets
- Safety cable attachment point

### Approvals

- CE compliant  
EMC directive 2014/30/EU  
LVD directive 2014/35/EU
- cETLus compliant  
UL 1573  
CSA C22.2 #166
- UKCA compliant  
Electromagnetic Compatibility Regulations 2016  
Electrical Equipment (Safety) Regulations 2016



## INCLUDED ITEMS

### Included Items

- QR code on fixture to receive digital user manual
- Power cable
- 2 omega brackets (3002003003)

# SUPERNOVA LT

Outdoor Moving Profile – Ultimate Long-Throw Power

**SPEC SHEET**

## ORDERING INFORMATION

### Optional Accessories

(With Order Code)

- Flight Case:
  - Standard: One-pack loader case (63584312)
  - North American Standard: TBD
- SUPERNOVA LT Camera Enclosure: 63584189
- SUPERNOVA LT Follow Spot Kit: 63584190
- SUPERNOVA LT Follow Spot Handle Only: 63584218
- SUPERNOVA LT Follow Spot Control Pad Only: 63584219
- Signal Cable:
  - 3-pin waterproof signal cable (3017013468) or
  - 5-pin waterproof signal cable (3017013473)
- Safety Cable: SW-05 (2060001603-E)
- Clamp: C-250B (2060001632-B)

### Carton Dimensions

- Width: 830 mm (32.6")
- Depth: 575 mm (22.6")
- Height: 805 mm (31.7")
- Weight:
  - G.W.: 70.5 kg(155.4lbs)(one-pack loader carton)



3-pin/5-pin waterproof  
signal cable: 3017013468/3017013473



SW-05: 2060001603-E



C-250B: 2060001632-B



SUPERNOVA LT Camera  
Enclosure: 63584189



SUPERNOVA LT Follow  
Spot Kit: 63584190



SUPERNOVA LT Follow Spot  
Handle Only: 63584218



SUPERNOVA LT Follow Spot  
Control Pad Only: 63584219



Standard (One-pack loader  
case): 63584312

# SUPERNOVA LT

Outdoor Moving Profile – Ultimate Long-Throw Power

**SPEC SHEET**

## (STANDARD) FLIGHT CASE

### APPLICABLE MODELS

- SUPERNOVA LT (XA 2000 BSWF IP LT)

### ORDER CODE

- 63584312 SUPERNOVA LT (XA 2000 BSWF IP LT)

### CASE WEIGHT

- 77 kg (169.8 lbs)

### MEAS

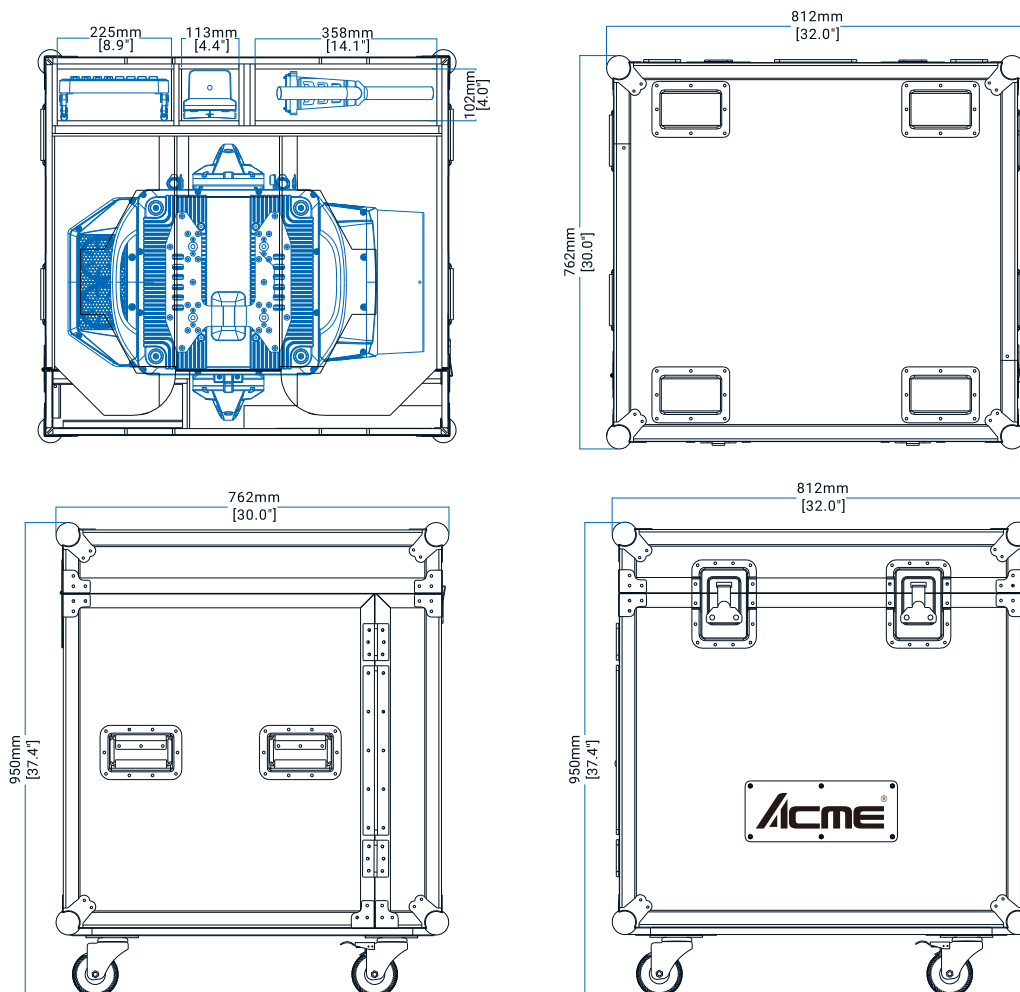
- 812 x 762 x 950 mm (32.0" x 30.0" x 37.4")

### LOADING Q'TY

- One-pack loader case

### MAXIMUM STACKING

- 2 stacks



ACASE by ACME Version: 20251222-A

Foshan YiFeng Electric Industrial Co.,Ltd.

No.898, Gaoming Avenue East, Hecheng Blvd, Gaoming District, Foshan, Guangdong, China.

Web: [www.acmelighting.com](http://www.acmelighting.com) Email: [sales@acmelighting.com](mailto:sales@acmelighting.com)

All rights reserved by Acme®. Features, specifications and appearance are subject to change without notice.

REV: 26/02/2026

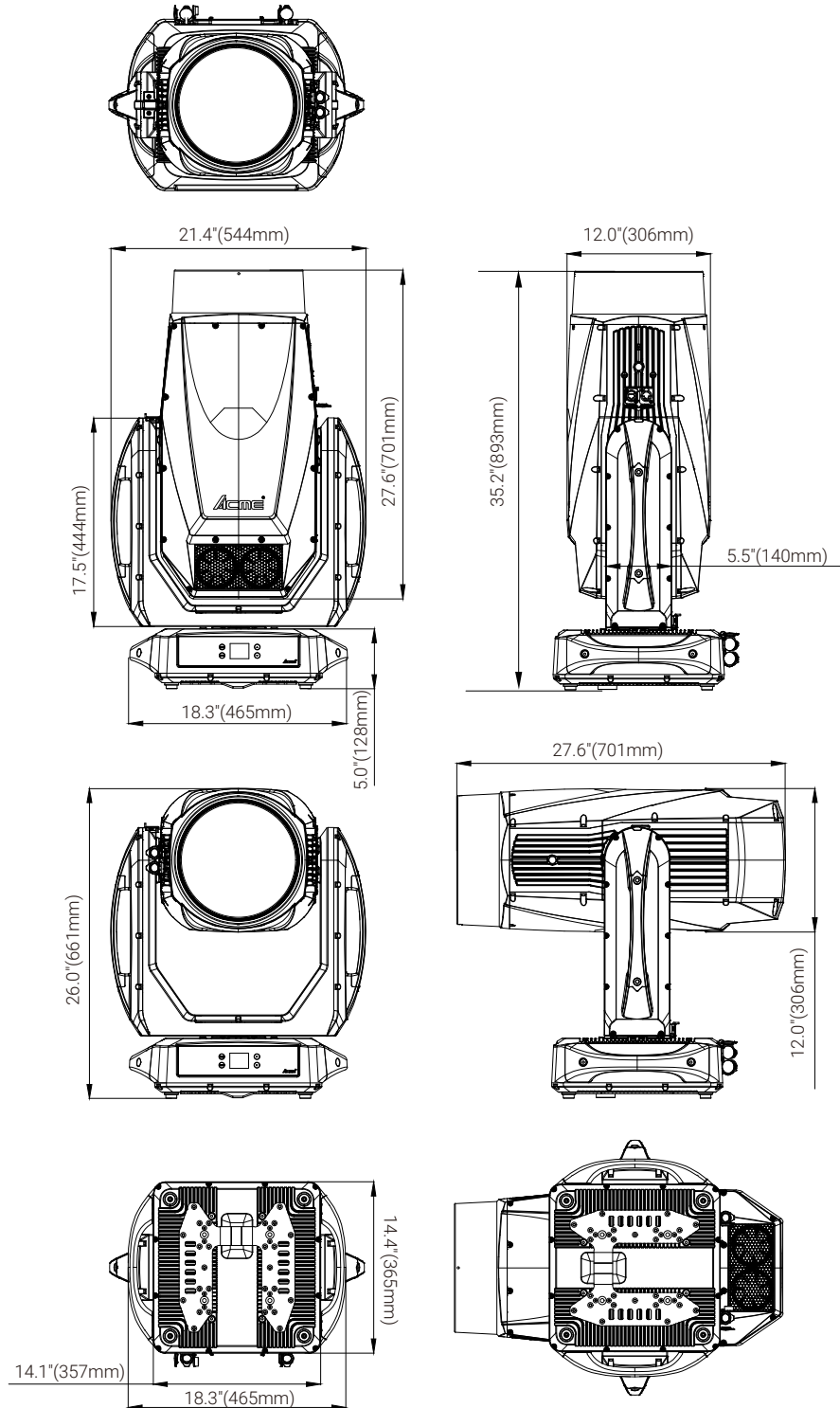
**ACME**®

# SUPERNOVA LT

Outdoor Moving Profile – Ultimate Long-Throw Power

**SPEC SHEET**

## DIMENSIONS



Foshan YiFeng Electric Industrial Co.,Ltd.

No.898, Gaoming Avenue East, Hecheng Blvd, Gaoming District, Foshan, Guangdong, China.

Web: [www.acmelighting.com](http://www.acmelighting.com) Email: [sales@acmelighting.com](mailto:sales@acmelighting.com)

All rights reserved by Acme®. Features, specifications and appearance are subject to change without notice.

REV: 26/02/2026

**Acme**®

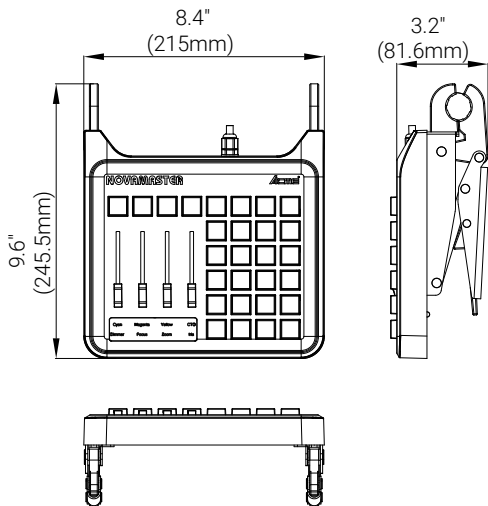
# SUPERNOVA LT

Outdoor Moving Profile – Ultimate Long-Throw Power

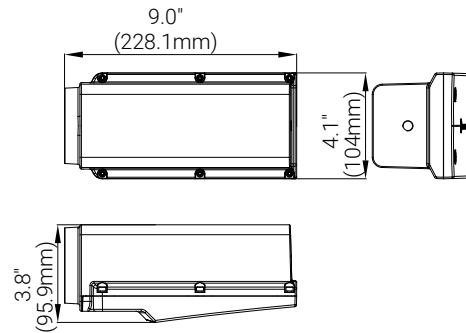
**SPEC SHEET**

## DIMENSIONS

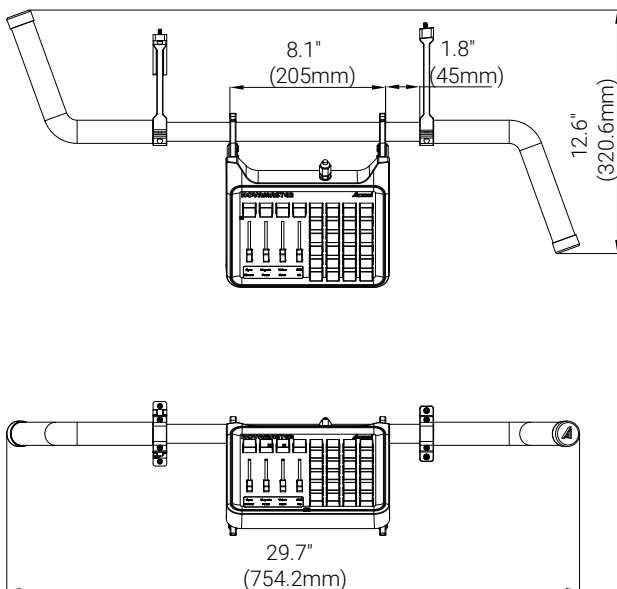
SUPERNOVA LT Follow Spot Control Pad Only  
Weight: 1.1 kg (2.4 lbs)



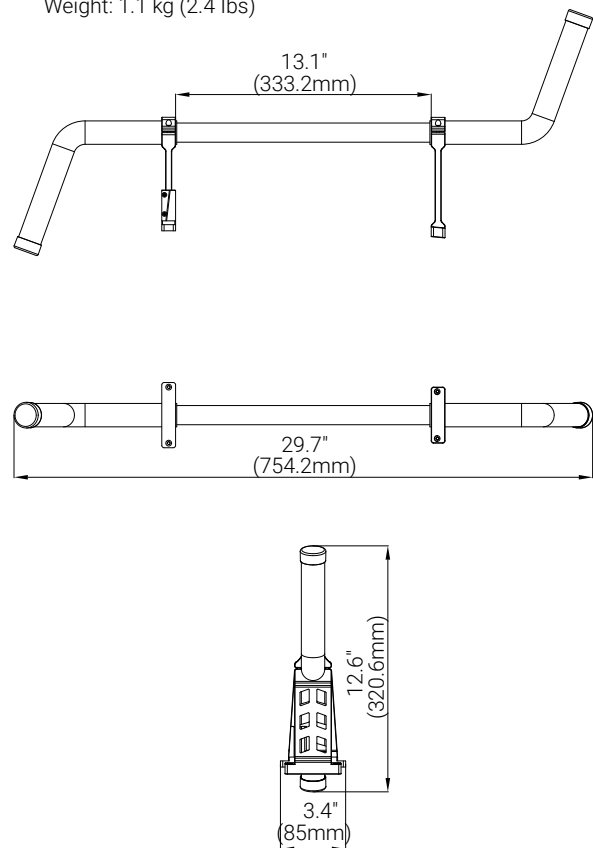
SUPERNOVA LT Camera Enclosure  
Weight: 0.6 kg (1.3 lbs)



SUPERNOVA LT Follow Spot Kit  
Weight: 2.2kg (4.8 lbs)



SUPERNOVA LT Follow Spot Handle Only  
Weight: 1.1 kg (2.4 lbs)

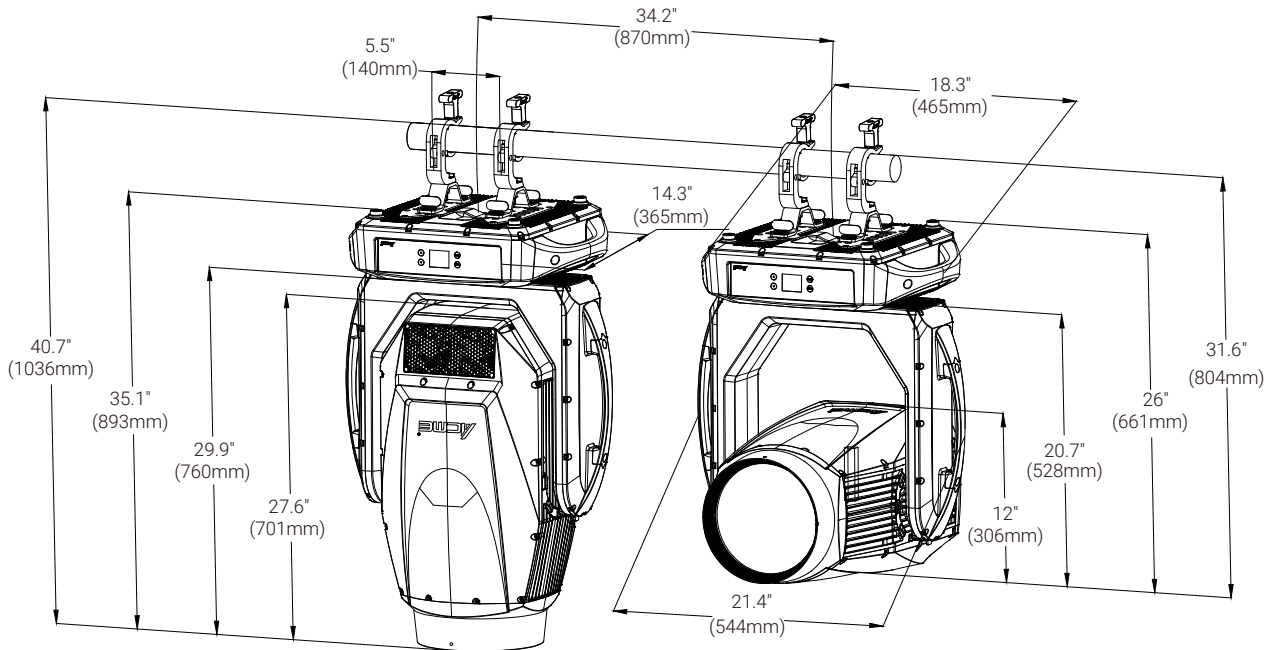


# SUPERNOVA LT

Outdoor Moving Profile – Ultimate Long-Throw Power

**SPEC SHEET**

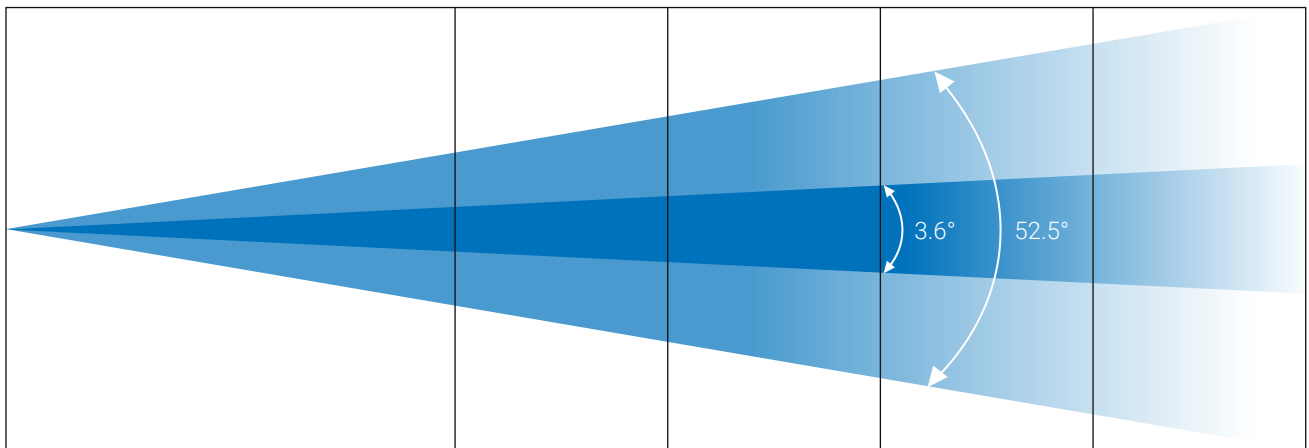
## HANGING DIMENSIONS



## PHOTOMETRIC

### Standard Mode

Distance m (ft)                      20(65.6)                      40 (131.2)                      60 (196.9)                      80 (262.5)                      100 (328.1)



3.6° Lux	20,500	5,125	2,278	1,281	820
Diameter m (ft)	1.2 (3.9)	2.5 (8.2)	3.8 (12.5)	5.1 (16.7)	6.3 (20.7)
52.5° Lux	1,405	351	156	88	56
Diameter m (ft)	19.7 (64.6)	39.5 (129.6)	59.2 (194.2)	78.9 (258.9)	98.6 (323.5)

Foshan YiFeng Electric Industrial Co.,Ltd.

No.898, Gaoming Avenue East, Hecheng Blvd, Gaoming District, Foshan, Guangdong, China.

Web: [www.acmelighting.com](http://www.acmelighting.com) Email: [sales@acmelighting.com](mailto:sales@acmelighting.com)

All rights reserved by Acme®. Features, specifications and appearance are subject to change without notice.

REV: 26/02/2026



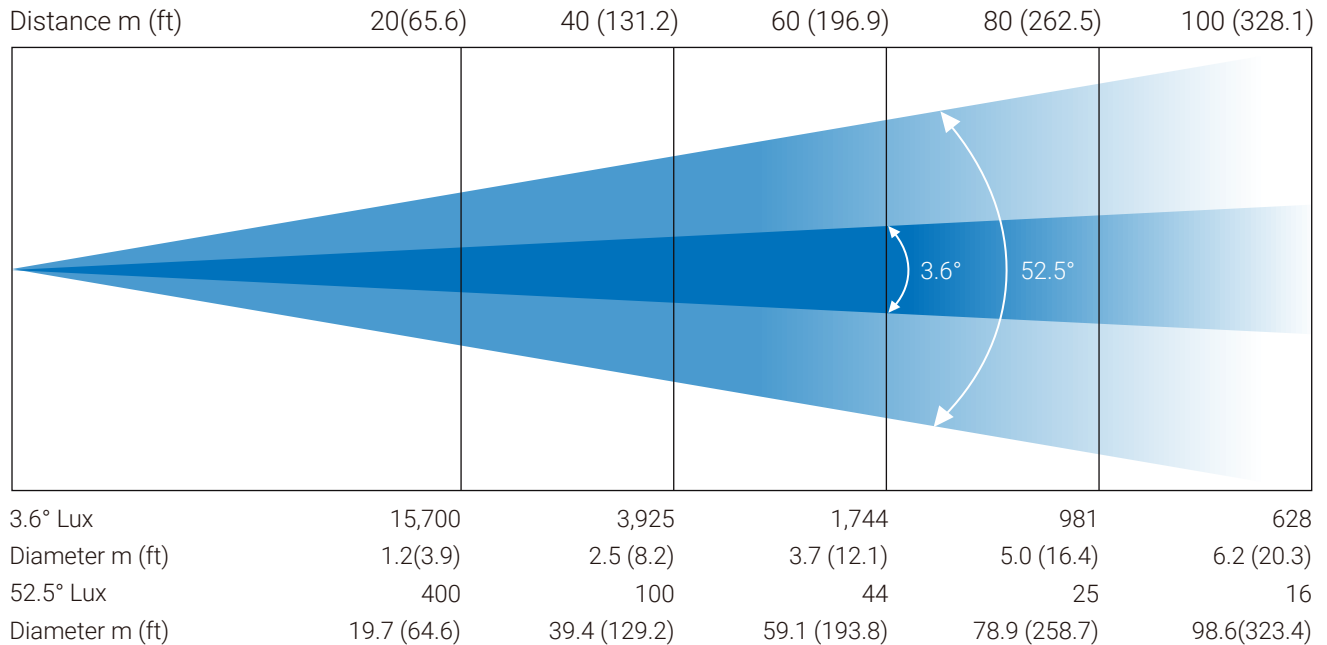
# SUPERNOVA LT

Outdoor Moving Profile – Ultimate Long-Throw Power

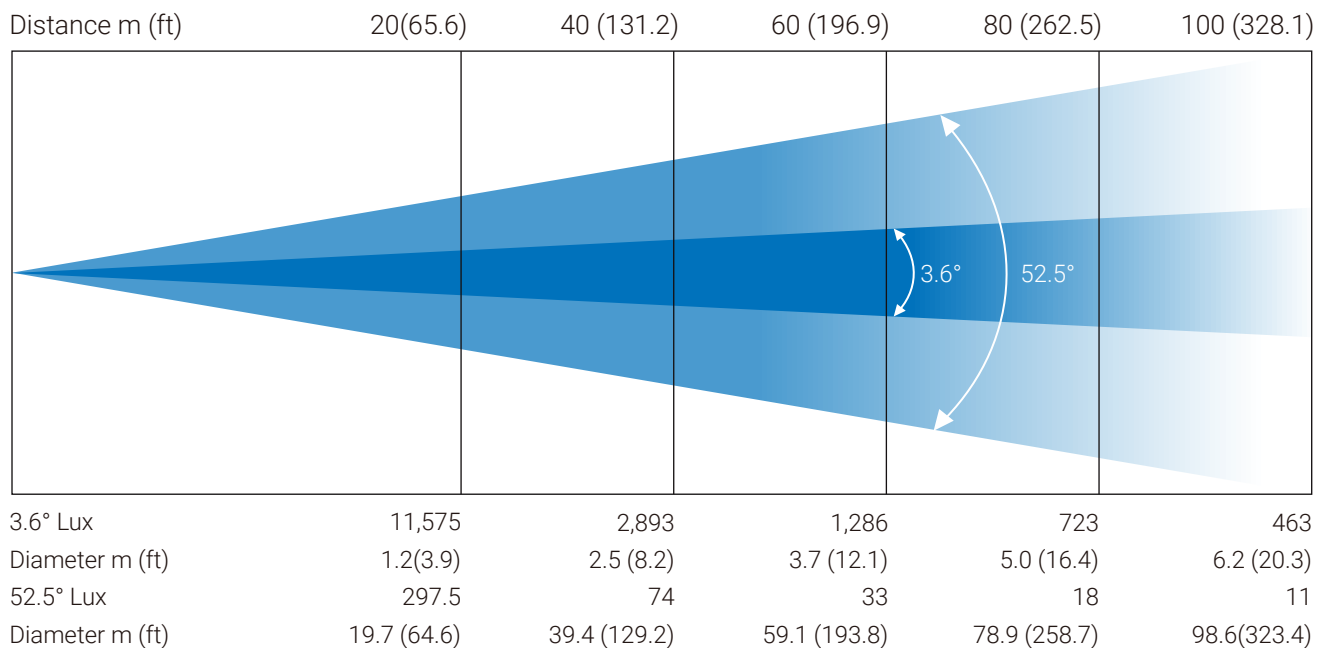
**SPEC SHEET**

## PHOTOMETRIC

### Quiet Mode



### Theater Mode



Foshan YiFeng Electric Industrial Co.,Ltd.

No.898, Gaoming Avenue East, Hecheng Blvd, Gaoming District, Foshan, Guangdong, China.

Web: [www.acmelighting.com](http://www.acmelighting.com) Email: [sales@acmelighting.com](mailto:sales@acmelighting.com)

All rights reserved by Acme®. Features, specifications and appearance are subject to change without notice.

REV: 26/02/2026



# SUPERNOVA LT

Outdoor Moving Profile – Ultimate Long-Throw Power

**SPEC SHEET**

## DYNAMIC EFFECTS

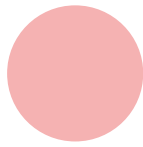
### Color Wheel 1



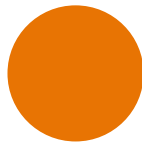
Red  
Slot 1



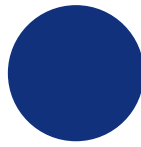
Green  
Slot 2



Pink  
Slot 3

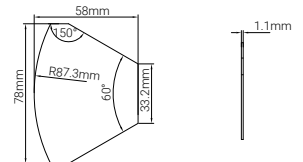


Orange  
Slot 4



Blue  
Slot 5

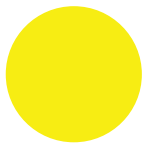
› Dimension:



### Color Wheel 2



CTB  
Slot 1



Yellow  
Slot 2

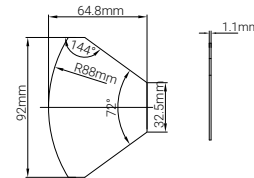


UV  
Slot 3

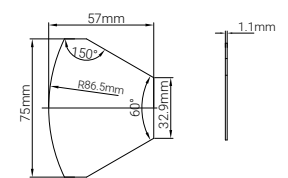


CRI  
Slot 4

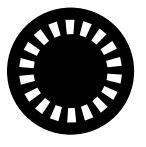
› Slot 1 Dimension:



› Slot 2-4 Dimension:



### Rotating Gobo Wheel 1



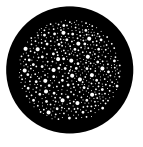
Slot 1



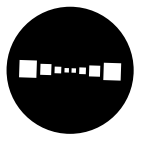
Slot 2



Slot 3



Slot 4

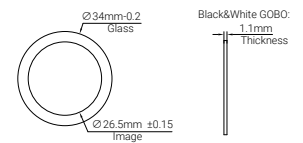


Slot 5



Slot 6

› Dimension:



› Material: Borofloat Glass

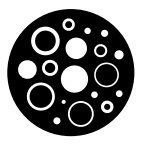
### Rotating Gobo Wheel 2



Slot 1



Slot 2

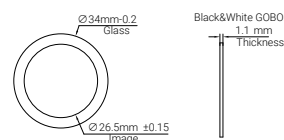


Slot 3



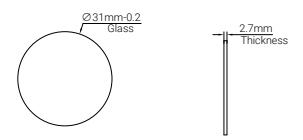
Slot 4

› Slot 1-5 Dimension:

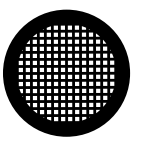


› Material: Borofloat Glass

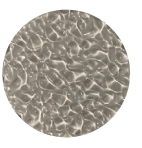
› Slot 6 Dimension:



› Material: Borosilicate Glass



Slot 5



Slot 6

Foshan YiFeng Electric Industrial Co.,Ltd.

No.898, Gaoming Avenue East, Hecheng Blvd, Gaoming District, Foshan, Guangdong, China.

Web: www.acmelighting.com Email: sales@acmelighting.com

All rights reserved by Acme®. Features, specifications and appearance are subject to change without notice.

REV: 26/02/2026



# SUPERNOVA LT

Outdoor Moving Profile – Ultimate Long-Throw Power

**SPEC SHEET**

## DYNAMIC EFFECTS

### Linear CMY Color Mixing



### Linear CTO Color Correction

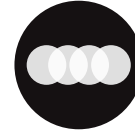


2,700K-6,700K

### Prisms/Frost Filter



1 x 4-Facet Circular Prism



1 x 4-Facet Linear Prism

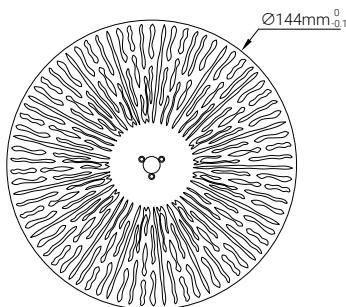


1 Light Frost Filter



1 Medium Frost Filter

### Animation Wheel



### Framing/Iris



Framing Module



Linear Iris

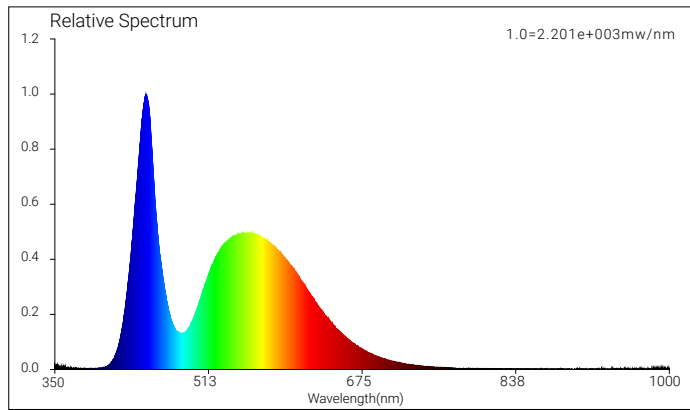
# SUPERNOVA LT

Outdoor Moving Profile – Ultimate Long-Throw Power

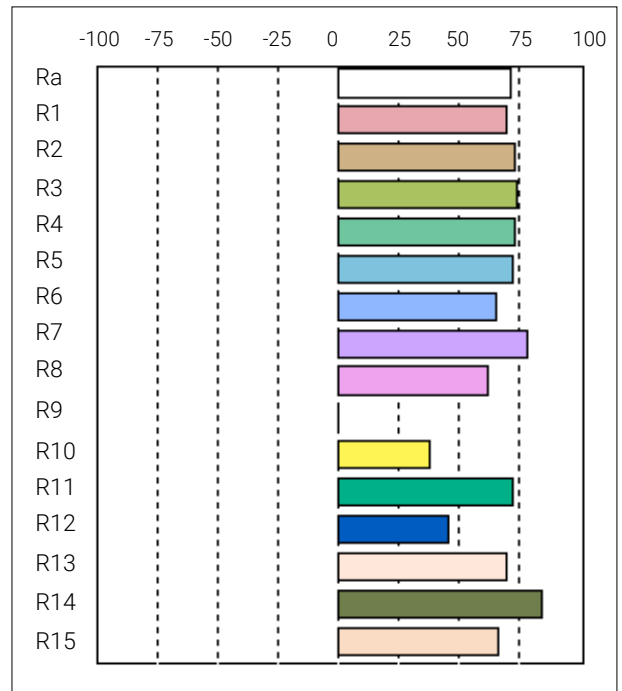
**SPEC SHEET**

## PHOTOMETRIC REPORT – CHROMATICITY

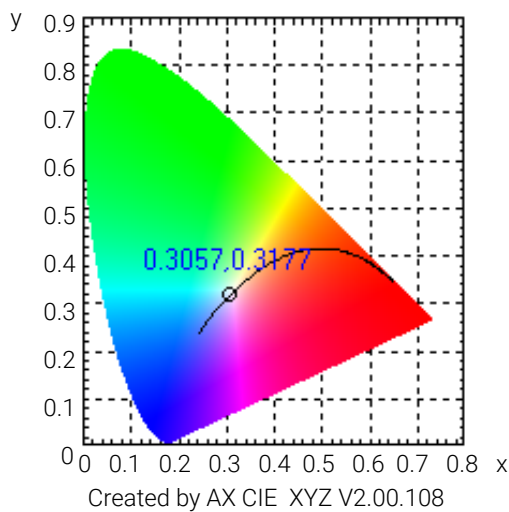
### Spectral Distribution



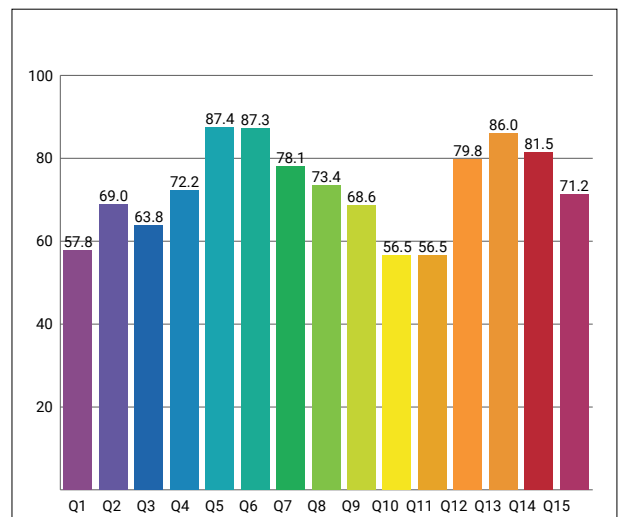
### CRI: 72.5(R1-R8)



### CIE 1931 EVERFINE



### CQS: 73.6(Q1-Q8)



#### CRI C Values

C1	C2	C3	C4	C5	C6	C7	C8	C9	C10	C11	C12	C13	C14	C15	C16
71.5	75.0	75.5	74.8	73.4	67.0	80.1	63.0	0.0	38.9	73.5	46.7	71.1	86.1	67.3	72.5

#### TM30 R Values

R1	R2	R3	R4	R5	R6	R7	R8	R9	R10	R11	R12	R13	R14	R15
70.1	73.2	74.3	73.4	72.2	65.5	78.3	61.2	0.0	33.6	72.9	43.7	69.4	85.5	65.1

#### CQS Q Values

Q1	Q2	Q3	Q4	Q5	Q6	Q7	Q8	Q9	Q10	Q11	Q12	Q13	Q14	Q15
56.9	68.8	63.9	71.9	87.6	86.9	77.4	73.1	68.7	56.8	56.2	79.3	85.6	80.8	70.3

Color temperature	Color rendering index	Color fidelity	Color gamut	Color quality scale	Color coordinate cie 1931	Color coordinate cie 1931	Color coordinate	Color coordinate	Color deviation from black body
CCT	CRI	TM30 Rf	TM30 Rg	CQS	x	y	u	v	$\Delta uv$
6814 K	72.5	73	93	73.6	0.3084	0.3220	0.1974	0.4639	0.0018

Foshan YiFeng Electric Industrial Co.,Ltd.

No.898, Gaoming Avenue East, Hecheng Blvd, Gaoming District, Foshan, Guangdong, China.

Web: www.acmelighting.com Email: sales@acmelighting.com

All rights reserved by Acme®. Features, specifications and appearance are subject to change without notice.

REV: 26/02/2026



# SUPERNOVA LT

Outdoor Moving Profile – Ultimate Long-Throw Power

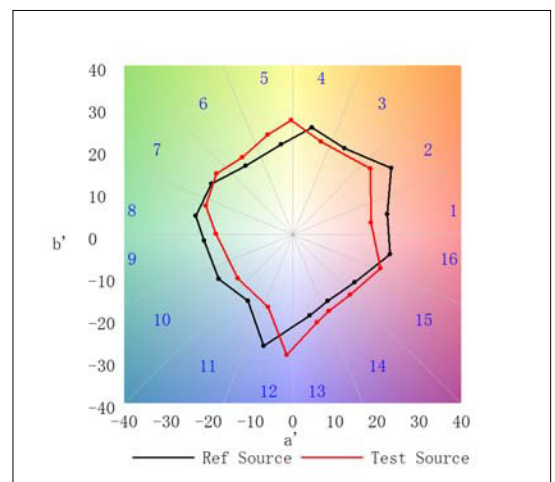
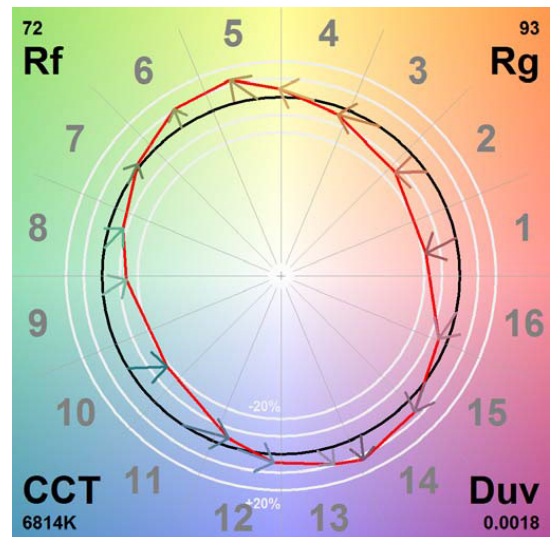
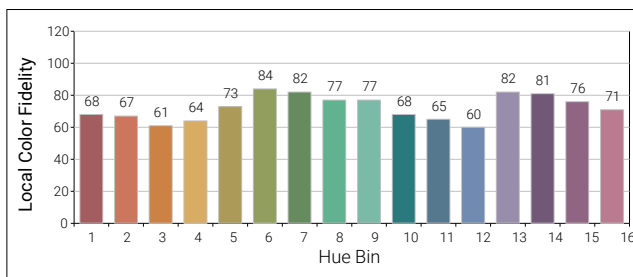
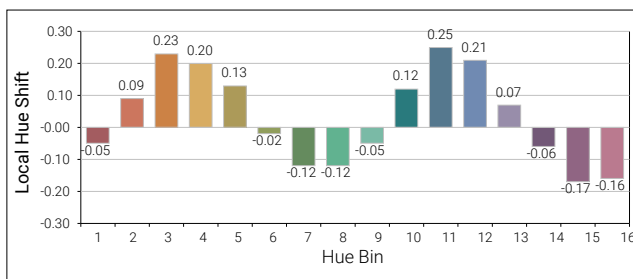
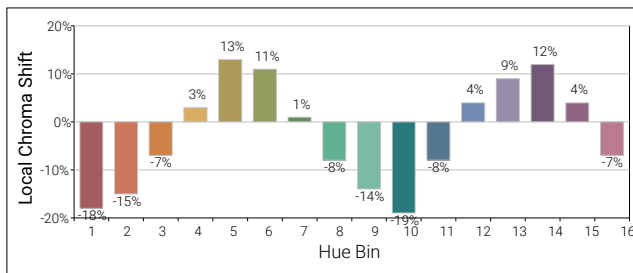
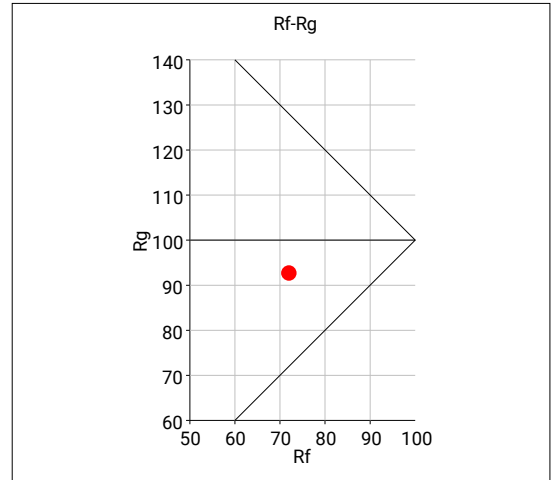
**SPEC SHEET**

## PHOTOMETRIC REPORT – TM-30

TM-30 Rf (IES TM-30-18 Fidelity Index): 73

TM-30 Rg (IES TM-30-18 Fidelity Index): 93

Hue Bin	Hue Angle	Graphic shift(%)		
		Rf	Chroma	Hue
1	0.0° – 22.5°	68	-18	-5
2	22.5° – 45.0°	67	-15	9
3	45.0° – 67.5°	61	-7	23
4	67.5° – 90.0°	64	3	20
5	90.0° – 112.5°	73	13	13
6	112.5° – 135.0°	84	11	-2
7	135.0° – 157.5°	82	1	-12
8	157.5° – 180.0°	77	-8	-12
9	180.0° – 202.5°	77	-14	-5
10	202.5° – 225.0°	68	-19	12
11	225.0° – 247.5°	65	-8	25
12	247.5° – 270.0°	60	4	21
13	270.0° – 292.5°	82	9	7
14	292.5° – 315.0°	81	12	-6
15	315.0° – 337.5°	76	4	-17
16	337.5° – 360.0°	71	-7	-16



Foshan YiFeng Electric Industrial Co.,Ltd.

No.898, Gaoming Avenue East, Hecheng Blvd, Gaoming District, Foshan, Guangdong, China.

Web: www.acmelighting.com Email: sales@acmelighting.com

All rights reserved by Acme®. Features, specifications and appearance are subject to change without notice.

REV: 26/02/2026



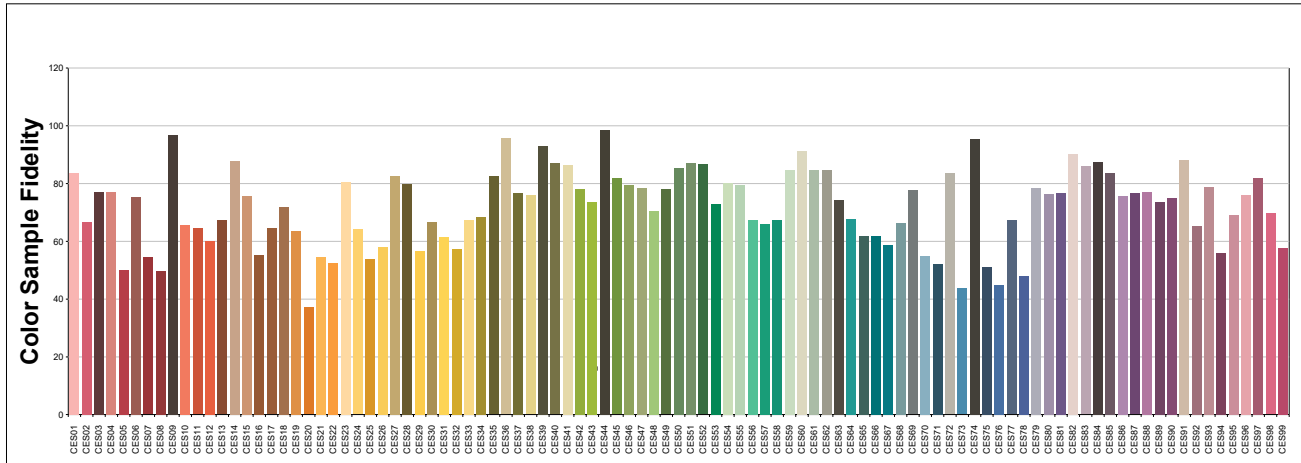
# SUPERNOVA LT

Outdoor Moving Profile – Ultimate Long-Throw Power

**SPEC SHEET**

## PHOTOMETRIC REPORT – TM-30

### Color Evaluation Sample



## PHOTOMETRIC REPORT – TLCI-47

### Color Evaluation Sample



Sector	Lightness	Chroma	Hue
R	5	4	2
R/Y	1	1	-5
Y	-2	-2	-6
Y/G	-2	-3	0
G	-2	-2	3
G/C	1	0	5
C	2	1	1
C/B	4	1	-3
B	1	-3	-3
B/M	2	-4	6
M	5	-1	8
M/R	5	1	5