

# HUELINE 16 IP

HL 16 IP



Light Source

**16 x 25W RGBWAC+UV LEDs**

Beam Angle

**21°-49°**

Field Angle

**45°-109°**

Total Lumen Output of Fixture

**5,600 lumens**

Protection Rating

**IP66**

Acme

HUELINE 16 IP



## Main Features

### LED engine comprised of 16 x 25W RGBWAC+UV LEDs

Multi-spectrum light source  
16 individually controllable LEDs,  
each with adjustable frost effects  
Beam Angle: 21°-49°  
Field Angle: 45°-109°  
Total Lumen Output of Fixture: 5,600 lumens

### Outstanding color mixing

Variable CTO ranging from 2,500K-8,000K  
Outstanding strobe effect with variable speed  
Smooth dimming 0-100%

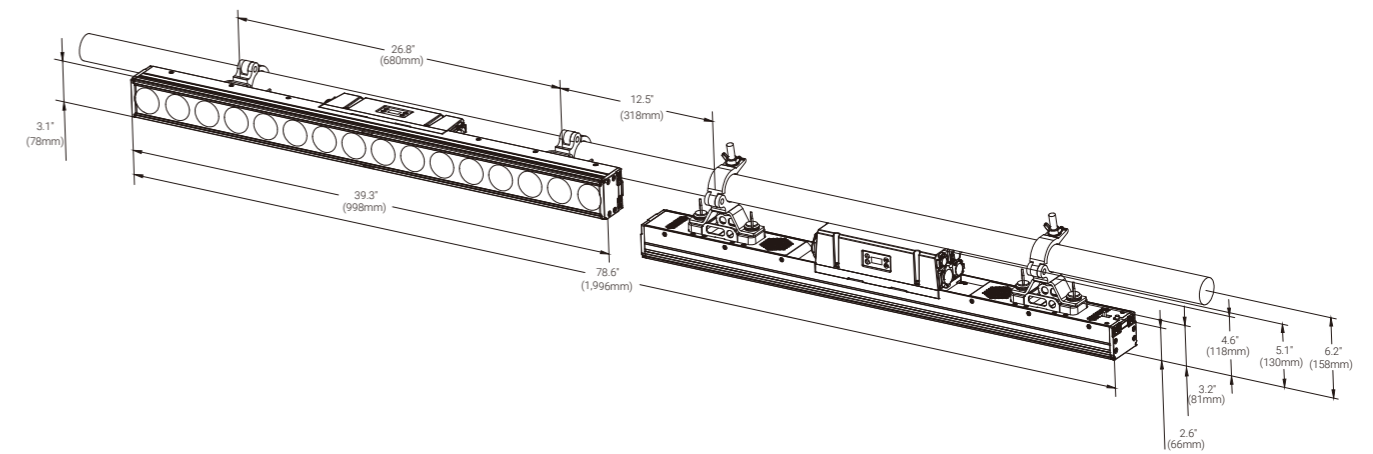
### Tungsten emulation

Incorporating UV LED can create unique stage effects  
The unique deep red and deep blue light sources allows  
a wider color gamut  
With an ultra-narrow bezel, it achieves a 90% light-to-screen ratio  
for an expansive visual experience

### Mounted with the floor stands, it achieves 180° tilt movement

Integrated interlocking system for combining units  
Multiple installation methods are possible with optional accessories  
Equipped with an optional diffuser filter and glare shield  
for additional wash effects  
IP66 rated

## Technical Specifications



### Light Source

- Light Source: 16 x 25W RGBWAC+UV LEDs
- Total Lumen Output of Fixture: 5,600 lumens
- 16 individually controllable LEDs, each with frost effects
- Life Expectancy: 20,000 hours\*

\*Source manufacturer specification

### Optical System

- Beam Angle: 21°-49°
- Field Angle: 45°-109°
- HCRI Mode: Ra≥92
- DMX Controllable Smart Glass technology Patent No.:
- CN216010577U
- US11698183B1
- DE202023101966U1
- FR3134870B3

### Colors

- Linear CTO Color Correction: 2,500K-8,000K



### Other Effects

- Tungsten emulation
- Outstanding color mixing
- Outstanding strobe effect with variable speed
- Smooth dimming 0-100%
- Dimming Frequency: 12kHz
- The unique deep red and deep blue light sources allows a wider color gamut
- With an ultra-narrow bezel, it achieves a 90% light-to-screen ratio for an expansive visual experience
- Equipped with an inventive quick-release mechanism that allows you to quickly connect and align multiple fixtures

### Pan & Tilt

- Tilt Movement: 180° (mounted with the floor stands)

### Control

- 4 touch button control panel
- Display: OLED display
- Protocols: DMX512, RDM, Art-Net, sACN
- DMX Protocol Modes: 2
- Control Channels: 16/17/133/135
- Firmware Upgrade: Upgrade via DMX link

### Electrical and Connectors

- Input Voltage Range: 100-240Vac; 50/60Hz
- Power Consumption: 190W
- Power In/Out: Waterproof power connector in/out
- Data In/Out: 3-pin or 5-pin waterproof XLR, waterproof RJ45 connector

### Physical Information

- Fixture Dimensions:
- Without Floor Stands:
- 998 x 78 x 130 mm (39.3" x 3.1" x 5.1")
- Weight : 8 kg (17.6 lbs)
- With Floor Stands:
- 998 x 148 x 193 mm (39.3" x 5.8" x 7.6")
- Weight : 9.6 kg (21.2 lbs)

### Packing Information

- Flight Case Dimensions:
- 1,220 x 610 x 845 mm (48.0" x 24.0" x 33.3")
- Weight:
- Standard:
- G.W.: 159 kg (350.5 lbs) (ten-pack loader case)
- North American Standard:
- G.W.: 170 kg (374.8 lbs) (ten-pack loader case)
- Carton Dimensions:
- 1,100 x 265 x 185 mm (43.5" x 10.4" x 7.3")
- Weight:
- G.W.: 11.5 kg (25.4 lbs) (one-pack loader carton)

### Work Environment

- Maximum Ambient Temperature: 40°C
- Minimum Operating Temperature: -10°C
- Maximum Surface Temperature: 65°C
- Protection Rating: IP66

### Installation

- Horizontal or vertical mounting
- 2 omega brackets
- Horizontal:
- Utilizing two omega brackets (supplied) and clamps (by others), there is no limit to the number of fixtures in the horizontal direction, and a maximum of 5 fixtures may be connected in the vertical direction
- Floor:
- Utilizing two omega brackets (supplied) and two floor stands (supplied)
- Safety cable attachment point

### Included Items

- Digital user manual
- Power cable
- 2 omega brackets (3002003002)
- 2 floor stands (63583845)

#### 1. Horizontal

Utilizing two omega brackets (supplied) and clamps (by others), there is no limit to the number of fixtures in the horizontal direction, and a maximum of 5 fixtures may be connected in the vertical direction



#### 2. Floor

Utilizing two omega brackets (supplied) and two floor stands (supplied)

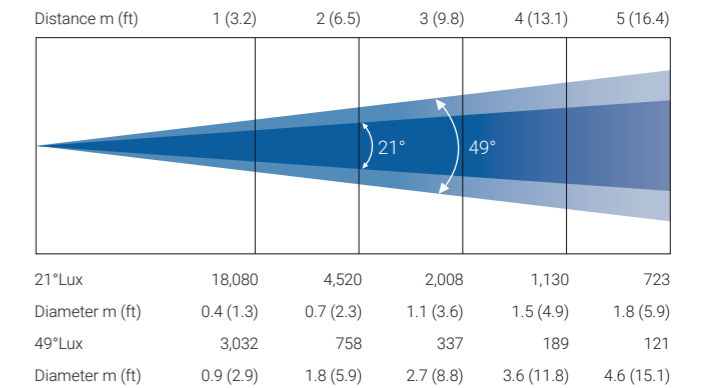


### Optional Accessories (With Order Code)

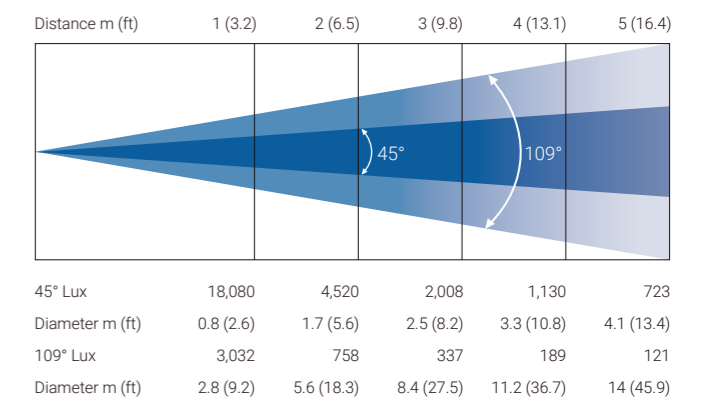
- Flight Case:
- Standard : Ten-pack loader case (63583828)
- North American Standard : Ten-pack loader case (63583784)
- Clamp : C-250B (2060001632-B),C-300 (2060001000)
- Safety Cable: SW-05 (2060001603-A)
- Signal Cable:
- 3-pin waterproof signal cable (3017013468) or
- 5-pin waterproof signal cable (3017013473)
- Glare Shield: 63583846
- Diffuser Filter (40° x 20°): 3005006304

### Photometric (Images)

#### Beam Angle:



#### Field Angle:



Specifications subject to change without notice.

04/09/2026