

# LINEFORCE 10 IP

CYC 10 IP



Light Source

**10 x 120W RGBWAC+UV LEDs**

Total Lumen Output of Fixture

**21,200 lumens**

Beam Angle

**14°-57°**

Field Angle

**30°-139°**

Protection Rating

**IP66**

Acme

LINEFORCE 10 IP



## Main Features

LED engine comprised of 10 x 120W RGBWAC+UV LEDs

Beam Angle: 14°-57°

Field Angle: 30°-139°

HCRI Mode: Ra≥92

Total Lumen Output of Fixture: 21,200 lumens

Variable CTO ranging from 2,500K-8,000K

Outstanding strobe effect with variable speed

Smooth dimming 0-100%

IP66 rated

Integrated interlocking system for combining units

Three fan modes to meet the noise requirements of each scenario

Mounted with the floor stands, it achieves 90° tilt movement

With an ultra-narrow bezel design, it achieves a 90% light-to-screen ratio

DMX controllable Smart Glass technology

Patent No.:

CN216010577U

US11698183B1

DE202023101966U1

FR3134870B3

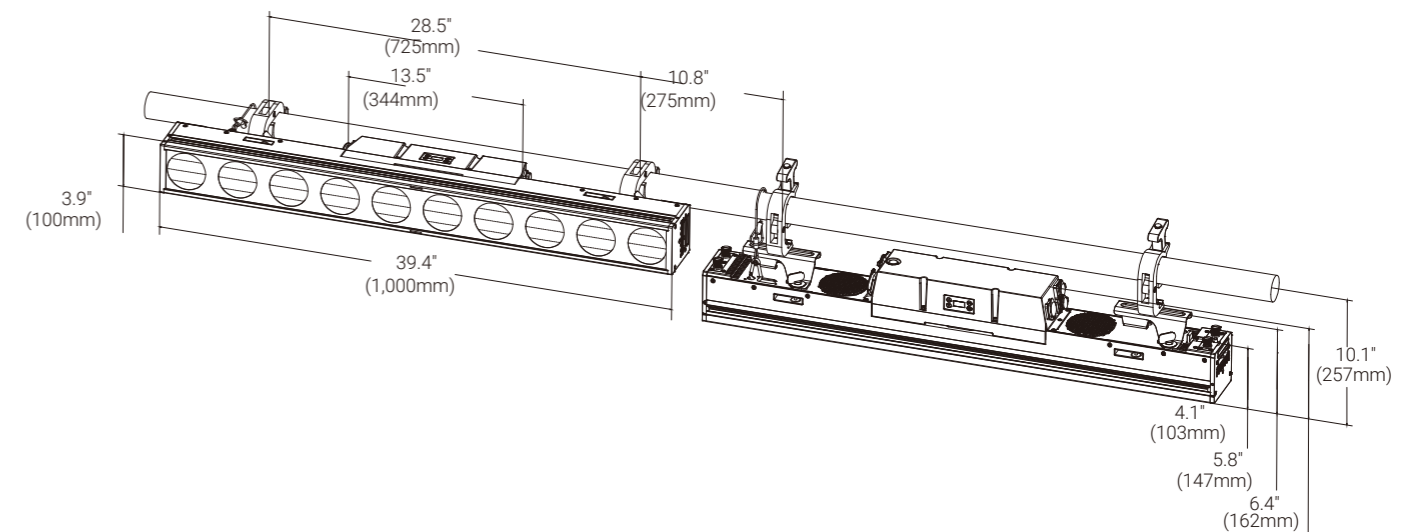
The electronic frost system was divided into four controllable zones, allowing multiple combinations

Tungsten emulation

Individual pixel control and built-in color macro effects

Uniform wash effect

## Technical Specifications



### Light Source

- Light Source: 10 x 120W RGBWAC+UV LEDs
- Total Lumen Output of Fixture: 21,200 lumens
- Life Expectancy: 20,000 hours\*

\*Source manufacturer specification

### Optical System

- HCRI Mode: Ra≥92
- Beam Angle: 14°-57° Field Angle: 30°-139°
- DMX controllable Smart Glass technology Patent No.:
- CN216010577U
- US11698183B1
- DE202023101966U1
- FR3134870B3

### Colors

- Linear CTO Color Correction: 2,500K-8,000K



### Other Effects

- Outstanding strobe effect with variable speed
- Smooth dimming 0-100%
- The electronic frost system was divided into four controllable zones, allowing multiple combinations
- Tungsten emulation
- Three fan modes to meet the noise requirements of each scenario
- Mounted with the floor stands, it achieves 90° tilt movement
- With an ultra-narrow bezel design, it achieves a 90% light-to-screen ratio
- Uniform wash effect
- Equipped with an inventive quick-release mechanism that allows you to quickly connect and align multiple fixtures

### Control

- 4 button touch control panel
- Display: OLED display
- Protocols: DMX512, RDM, Art-Net, sACN
- DMX Protocol Modes: 2
- Control Channels: 10/11/16/17/19/20/79/81
- Firmware Upgrade: Upgrade via DMX link

### Electrical and Connectors

- Input Voltage Range: 100-240Vac; 50/60Hz
- Power Consumption: 625W
- Power In/Out: Waterproof power connector in/out
- Data In/Out: 3-pin or 5-pin waterproof XLR, waterproof RJ45 connector

### Physical Information

- Fixture Dimensions:
- Without Floor Stands:
- 1,000 x 100 x 162 mm (39.4" x 3.9" x 6.4")
- Weight: 13.6 kg (30.0 lbs)
- With Floor Stands:
- 1,000 x 226 x 229 mm (39.4" x 8.9" x 9.0")
- Weight: 15.6 kg (34.4 lbs)

### Packing Information

- Flight Case Dimensions:
- 1,220 x 610 x 850 mm (48.0" x 24.0" x 33.5")
- Weight:
- North American Standard:
- G.W.: 197 kg (434.3 lbs) (eight-pack loader case)
- Carton Dimensions:
- 1,105 x 335 x 200 mm (43.5" x 13.2" x 8.0")
- Weight:
- G.W.: 17.5 kg (38.6 lbs) (one-pack loader carton)

### Work Environment

- Maximum Ambient Temperature: 45°C
- Minimum Operating Temperature: -20°C
- Maximum Surface Temperature: 70°C
- Protection Rating: IP66

### Installation

- Horizontal or vertical mounting
- Universal working position
- Integrated interlocking system for combining units
- Vertical Stand: Mounted to one base stand (sold separately), When installed at a tilt, stand single unit only, no other fixtures may be connected. When stand vertically, a maximum of 2 fixtures may be connected.
- Horizontal: Utilizing two omega brackets (supplied) and clamps (by others), there is no limit to the number of fixtures in the horizontal direction, and a maximum of 5 fixtures may be connected in the vertical direction
- Vertical: Using one hanging bracket (sold separately) with clamp (by others), a maximum of 3 fixtures may be connected
- Floor: Utilizing two omega brackets (supplied) and two floor stands (supplied)
- Safety cable attachment point

### Included Items

- Digital user manual
- Power cable
- 2 omega brackets (63583930)
- 2 floor stands (63584073)

1. Horizontal  
Utilizing two omega brackets (supplied) and clamps (by others), there is no limit to the number of fixtures in the horizontal direction, and a maximum of 5 fixtures may be connected in the vertical direction



2. Vertical  
Using one hanging bracket (sold separately) with clamp (by others), a maximum of 3 fixtures may be connected



3. Vertical Stand  
Mounted to one base stand (sold separately),  
When installed at a tilt, stand single unit only, no other fixtures may be connected.  
When stand vertically, a maximum of 2 fixtures may be connected.



4. Floor  
Utilizing two omega brackets (supplied) and two floor stands (supplied)

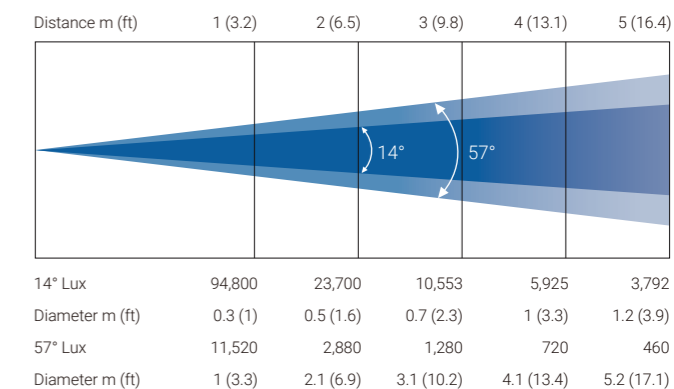


### Optional Accessories (With Order Code)

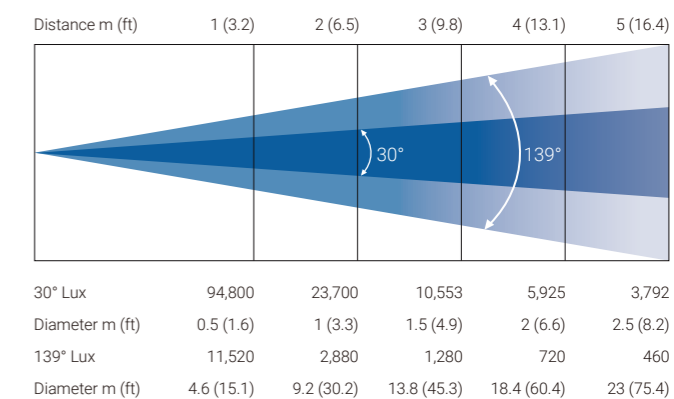
- Flight Case:
- North American Standard : Eight-pack loader case (63583785)
- Clamp : C-250B (2060001632-B)
- Safety Cable: SW-05 (2060001603-E)
- Signal Cable: 3-pin waterproof signal cable (3017013468) or 5-pin waterproof signal cable (3017013473)
- Glare Shield: 63584076
- Hanging Bracket: 63582969
- Base Stand: 63582785
- Diffuser Filter (10°): 3005006494
- Diffuser Filter (40° x 20°): 3005006303

### Photometric (Images)

#### Beam Angle:



#### Field Angle:



Specifications subject to change without notice.  
04/09/2026