

# SKYTRK

Outdoor Full-Color Laser Searchlight

SPEC SHEET



Foshan YiFeng Electric Industrial Co.,Ltd.

No.898, Gaoming Avenue East, Hecheng Blvd, Gaoming District, Foshan, Guangdong, China.

Web: [www.acmelighting.com](http://www.acmelighting.com) Email: [sales@acmelighting.com](mailto:sales@acmelighting.com)

All rights reserved by Acme®. Features, specifications and appearance are subject to change without notice.

REV: 10/04/2026

**Acme**®

### FIXTURE OVERVIEW

- The ACME **SKYTRK** is a groundbreaking full-color laser searchlight, engineered to deliver intense output, exceptional precision, and chromatic finesse far beyond conventional beam fixtures.
- Powered by an 850W RGB full-color laser engine, the fixture produces 22,100 lumens of high-intensity light through an advanced optical system. At its heart is an ultra-large 300 mm frontal lens, projecting a razor-sharp 0.5° laser beam that cuts through the sky with unmatched clarity and saturated output. Its flexible moving-head design and precise positioning ensure wide coverage and dynamic transitions for any large-scale outdoor spectacle.
- Color performance is equally advanced. The **SKYTRK** features a virtual color wheel with 51 color presets, a virtual CMY color mixing system, and a virtual CTO ranging from 2,500K to 8,000K. Whether you need deep primaries, delicate pastels, or precise color-temperature control, the fixture ensures smooth, expressive chromatic performance across all applications. Four combinable rotating prisms add layered aerial effects that expand creative possibilities.
- Built into a rugged IP66-rated enclosure, the **SKYTRK** is perfect for large-scale shows, tours and live events, delivering laser-driven power, exceptional brightness, and limitless color creativity – even in the harshest outdoor conditions.



### FEATURE HIGHLIGHTS

- Light Source: 850W RGB full-color laser engine
- 300 mm diameter frontal lens
- Beam Angle: 0.5°
- Fixture Luminous Output: 22,100 lumens
- Color Temperature Output of Fixture: 6,000K
- Virtual CMY color mixing
- Virtual CTO Color Correction: 2,500K-8,000K
- Virtual Color Wheel: 51 color presets
- 4 Combinable Rotating and Indexable Prisms:
  - 1 x 8-facet circular prism, 1 x 16-facet circular prism,
  - 1 x 6-facet linear prism, 1 x multi-facet circular prism,
  - rotatable and overlayable in both directions
- Outstanding strobe effect with variable speed
- Flicker-free management
- IP66 rated

### TECHNICAL SPECIFICATIONS

#### Model

- Model Name: SKYTRK
- Model Code: XL 850 BEAM IP

#### Light Source

- Light Source: 850W RGB full-color laser engine
- Color Temperature Output of Fixture: 6,000K
- Life Expectancy: 12,000 hours
- \*Source manufacturer specification

#### Photometric Data

- Fixture Luminous Output: 22,100 lumens
- CCT: 6,000K (+/- 200K)
- Peak Luminous Intensity: 1,801,000 cd

#### Optical System

- Diameter of Frontal Lens: 300 mm
- Beam Angle: 0.5°

#### Control & Program

- 4 touch button control panel
- Display: LCD display
- Protocols: DMX, RDM, Art-Net, sACN, NFC
- Setting and Addressing: Display menu, RDM
- DMX Modes: 2
- DMX Channels: 23(CMY)/23(RGB)
- Firmware Upgrade: Upgrade via DMX link or USB stick

#### Pan & Tilt

- Pan: 540°
- Tilt: 250°
- Automatic Pan/Tilt position correction
- Resolution: 16 bit
- Pan/Tilt lock

#### Color Mixing

- Virtual CMY color mixing

#### Color Correction

- Virtual CTO Color Correction: 2,500K-8,000K

#### Color Wheel

- Virtual Color Wheel: 51 color presets

#### Focus

- Motorized focus system

#### Zoom

- Motorized zoom system

#### Prism

- 4 Combinable Rotating and Indexable Prisms:  
1 x 8-facet circular prism, 1 x 16-facet circular prism,  
1 x 6-facet linear prism, 1 x multi-facet circular prism,  
rotatable and overlayable in both directions

#### Electrical

- Input Voltage Range: 100-240Vac; 50/60Hz
- Power Consumption: 1,525W
- Power In/Out: Waterproof power connector in/out
- Data In/Out: 3-pin or 5-pin waterproof XLR, waterproof RJ45 connector

#### Physical

- Weight: 59.5 kg (132.2 lbs)
- Length (Head): 662 mm (26")
- Length (Base): 464 mm (18.2")
- Width (Across Yoke): 464 mm (18.3")
- Height (Head Up): 854 mm (33.6")

#### Construction

- Housing: Aluminum-magnesium alloy
- Color: Black
- Protection Rating: IP66

#### Work Environment

- Maximum Ambient Temperature: 45°C
- Minimum Operating Temperature: -20°C
- Maximum Surface Temperature: 75°C

### TECHNICAL SPECIFICATIONS

#### Acoustic Data

- Noise Level:  
Standard Mode: 48 dB(A) @ 1 m

#### Installation

- Vertical mounting
- 2 omega brackets
- Safety cable attachment point

#### Approvals

- CE compliant  
EMC directive 2014/30/EU  
LVD directive 2014/35/EU
- UKCA compliant  
Electromagnetic Compatibility Regulations 2016  
Electrical Equipment (Safety) Regulations 2016



### INCLUDED ITEMS

#### Included Items

- QR code on fixture to receive digital user manual
- Power cable
- 2 omega brackets(3002003003)

### ORDERING INFORMATION

#### Optional Accessories (With Order Code)

- Flight Case
- Standard: One-pack loader case (63584348)
- Clamp: C-250B (2060001632-B)
- Safety Cable: SW-05 (2060001603-E)
- Signal Cable: 3-pin waterproof signal cable (3017013468) or 5-pin waterproof signal cable (3017013473)

#### Carton Dimensions

- Carton Dimensions:
- Width: 830 mm (32.7")
- Depth: 570 mm (22.4")
- Height: 855 mm (33.7")
- Weight:
- G.W.: 73 kg (160.9 lbs) (one-pack loader carton)



3-pin/5-pin waterproof  
signal cable: 3017013468/3017013473



SW-05: 2060001603-E



C-250B: 2060001632-B



Standard(One-pack loader case): 63584348

### (STANDARD) FLIGHT CASE

#### APPLICABLE MODELS

- SKYTRK (XL 850 BEAM IP)

#### ORDER CODE

- 63584348 SKYTRK (XL 850 BEAM IP)

#### CASE WEIGHT

- 52.5 kg (115.7 lbs)

#### MEAS

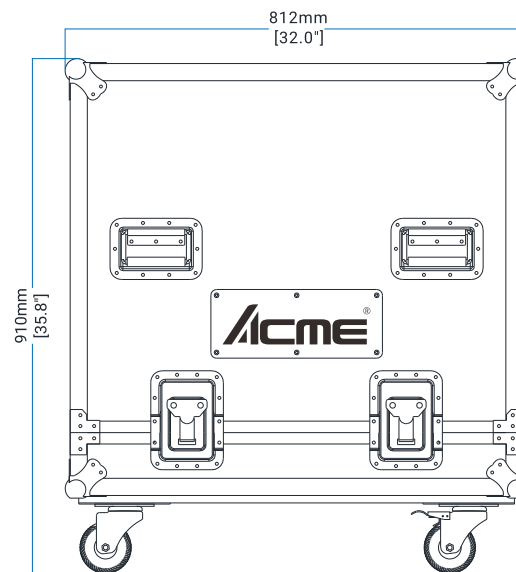
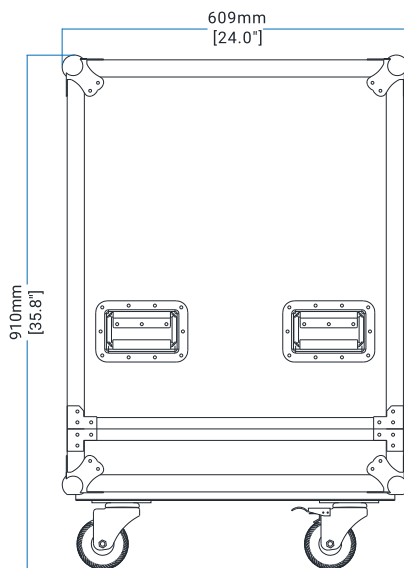
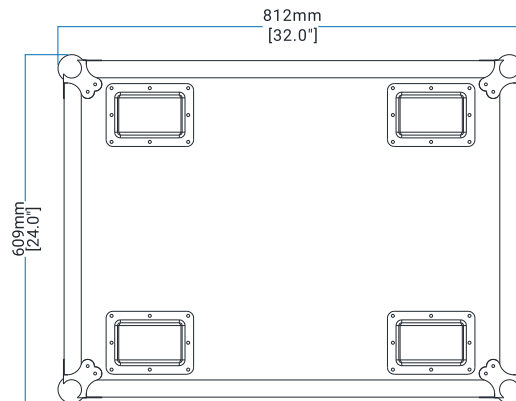
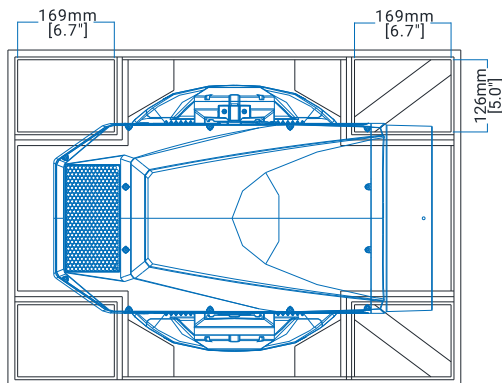
- 810 x 610 x 910 mm (32.1" x 24.0" x 35.8")

#### LOADING Q'TY

- One-pack loader case

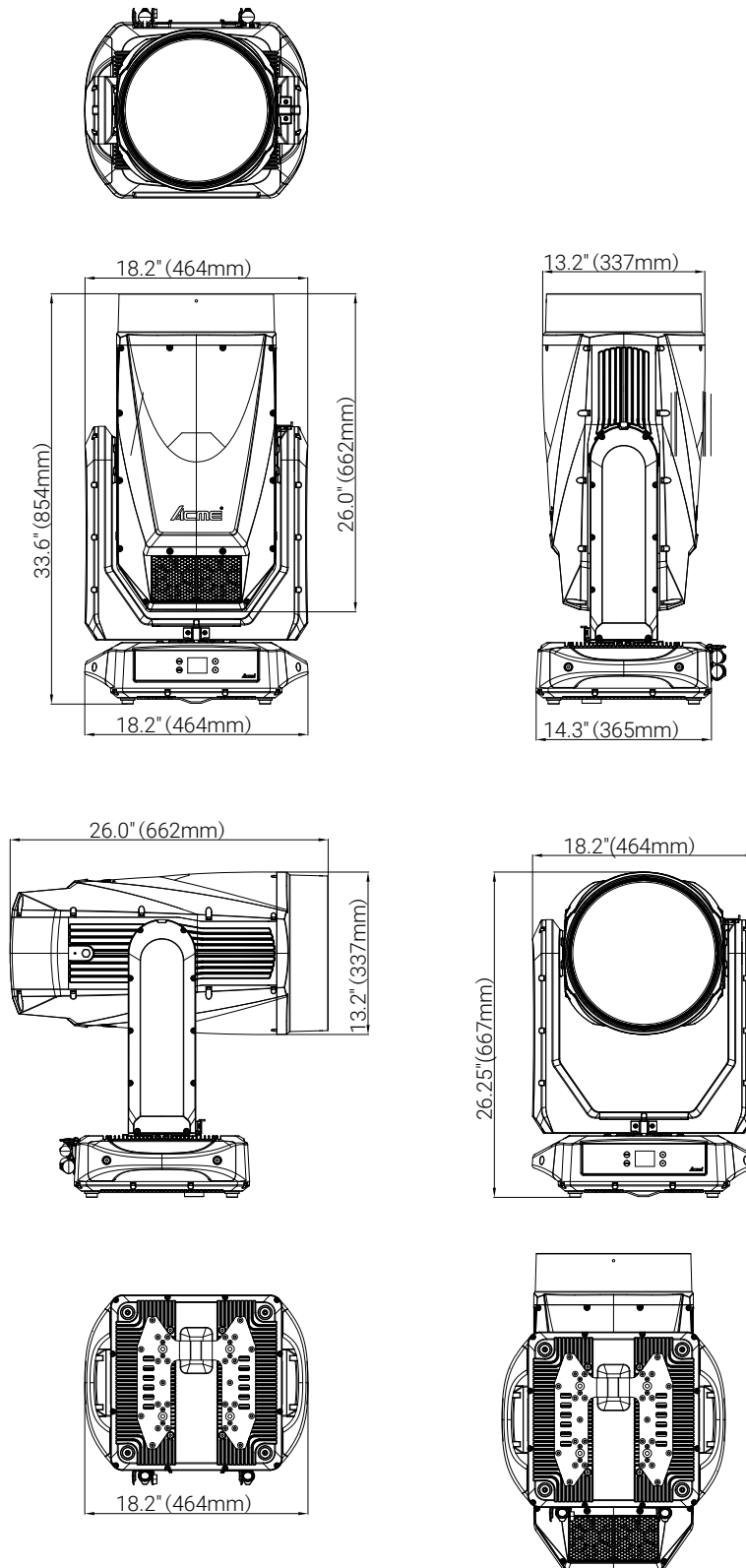
#### MAXIMUM STACKING

- Two stacks

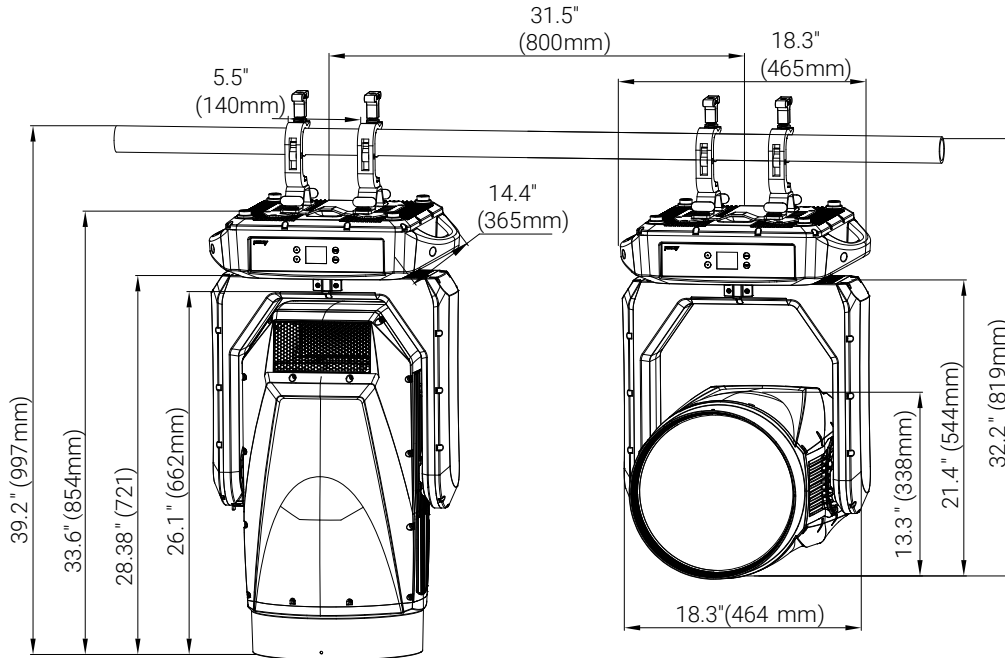


ACASE by ACME Version: 20260126-A

### DIMENSIONS

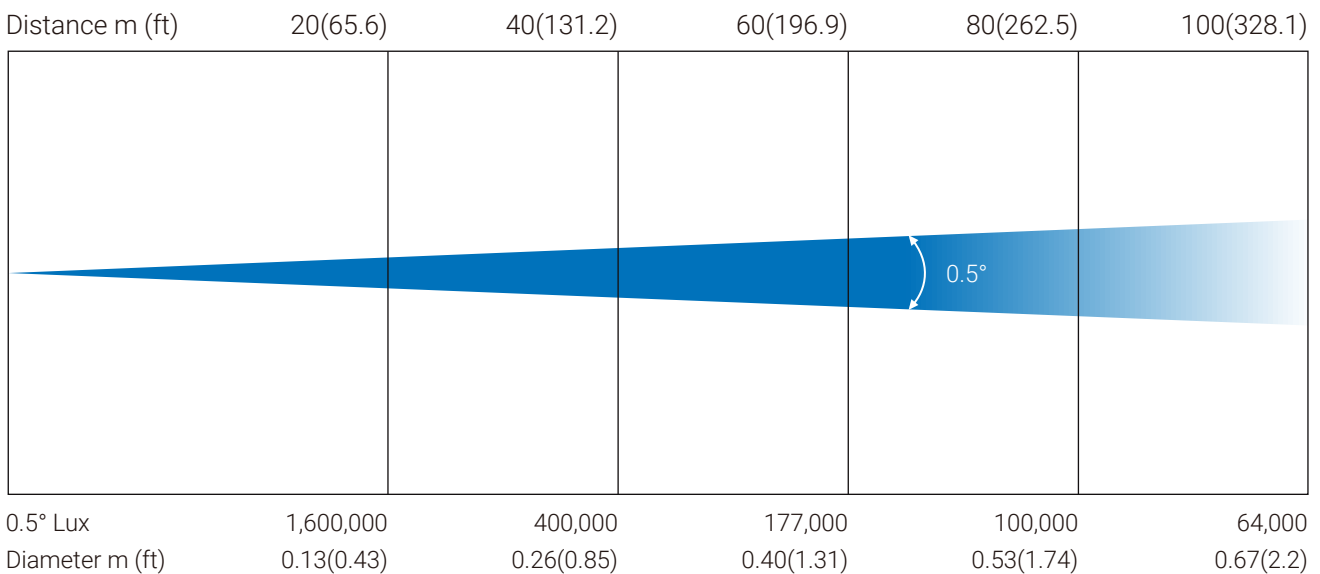


### HANGING DIMENSIONS



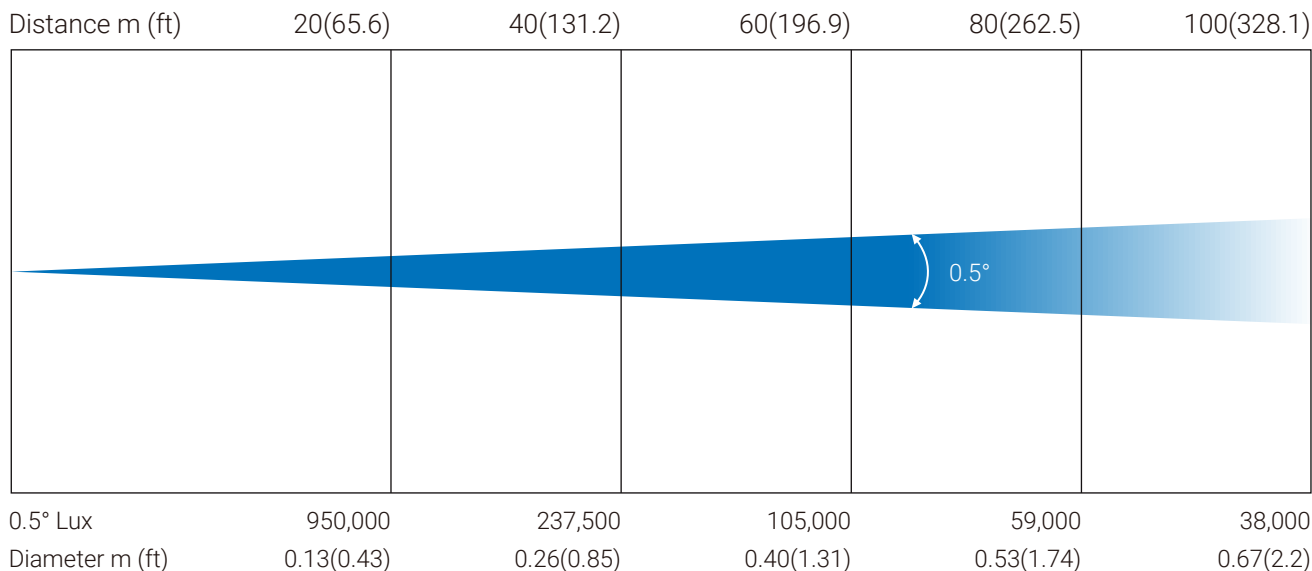
### PHOTOMETRIC

#### Standard Mode

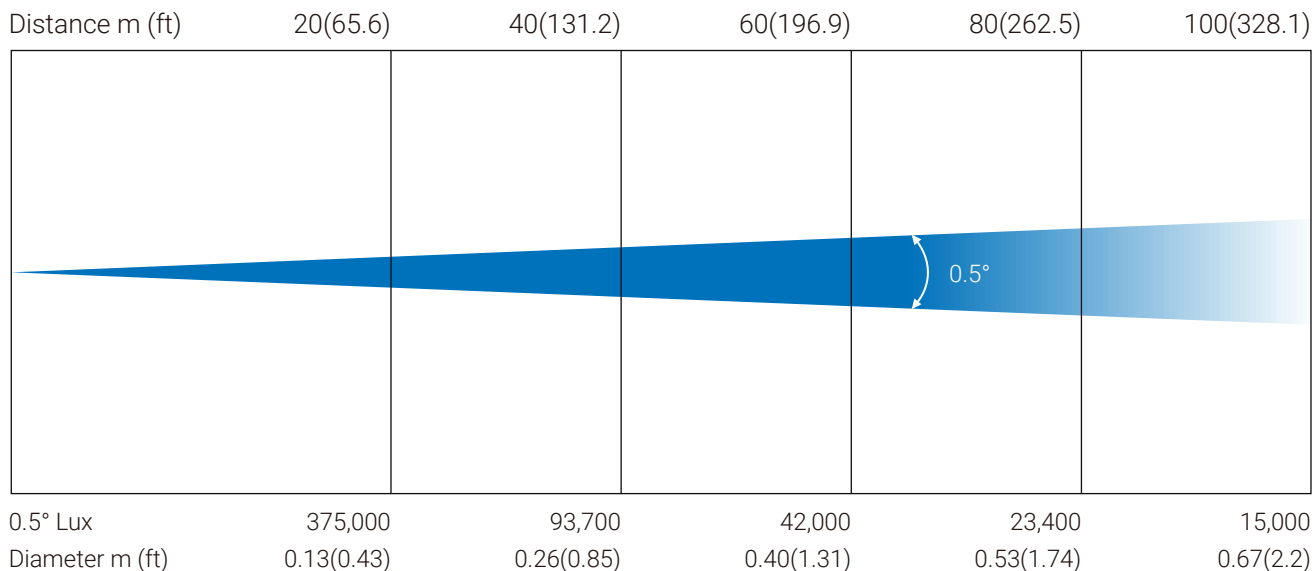


### PHOTOMETRIC

#### Quiet Mode



#### Theater Mode



### DYNAMIC EFFECTS

#### Virtual Color Wheel



### DYNAMIC EFFECTS

#### Virtual CMY Color Mixing



#### Virtual CTO Color



2,500K-8,000K

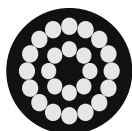
#### Prisms/Frost Filter



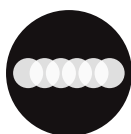
1 x 8-Facet Circular Prism



1 x 16-Facet Circular Prism



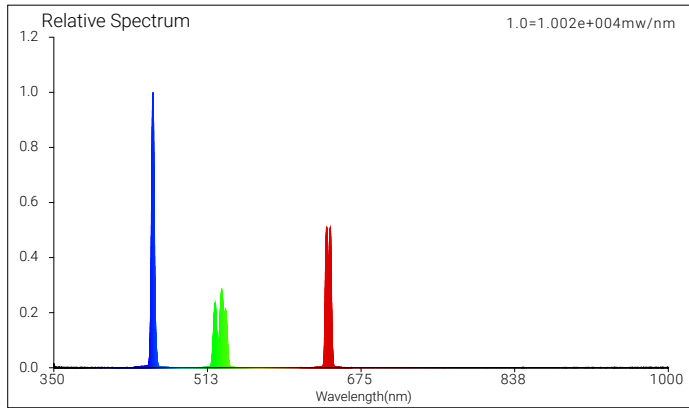
1 x Multi-Facet Circular Prism



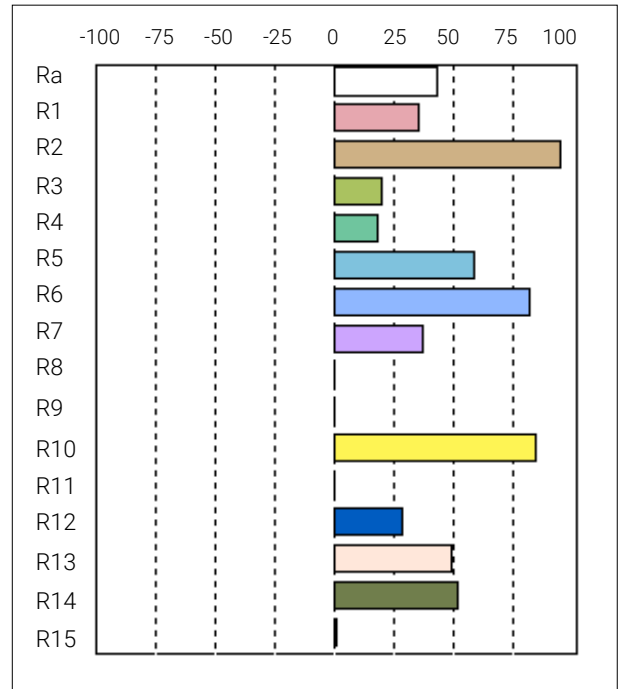
1 x 6-Facet Linear Prism

### PHOTOMETRIC REPORT – CHROMATICITY

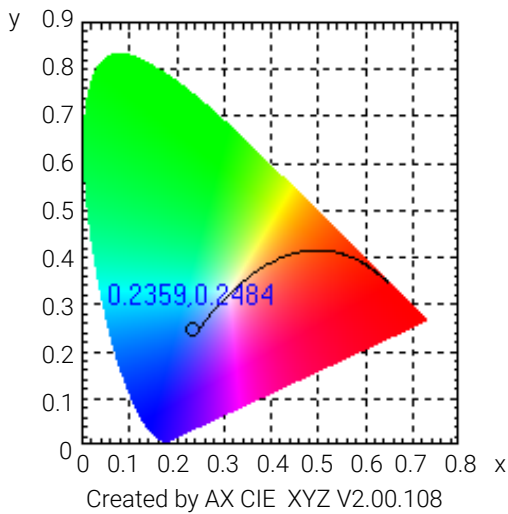
#### Spectral Distribution



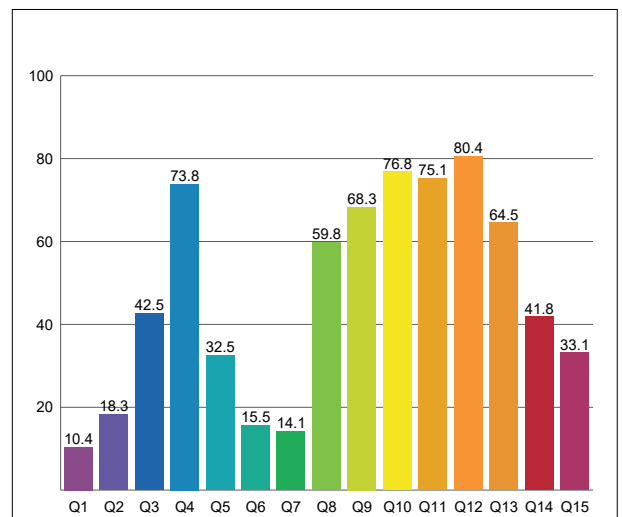
#### CRI: 44.2 (R1-R8)



#### CIE 1931 EVERFINE



#### CQS: 28.6 (Q1-Q8)



#### CRI C Values

C1	C2	C3	C4	C5	C6	C7	C8	C9	C10	C11	C12	C13	C14	C15	C16
36.8	95.7	20.8	19.2	59.9	83.2	38.3	0.0	0.0	85.6	0.0	30.1	50.7	53.1	1.8	44.2

#### TM30 R Values

R1	R2	R3	R4	R5	R6	R7	R8	R9	R10	R11	R12	R13	R14	R15
36.8	95.7	20.8	19.2	59.9	83.2	38.3	0.0	0.0	85.6	0.0	30.1	50.7	53.1	1.8

#### CQS Q Values

Q1	Q2	Q3	Q4	Q5	Q6	Q7	Q8	Q9	Q10	Q11	Q12	Q13	Q14	Q15
10.4	18.3	42.5	73.8	32.5	15.5	14.1	59.8	68.3	76.8	75.1	80.4	64.5	41.8	33.1

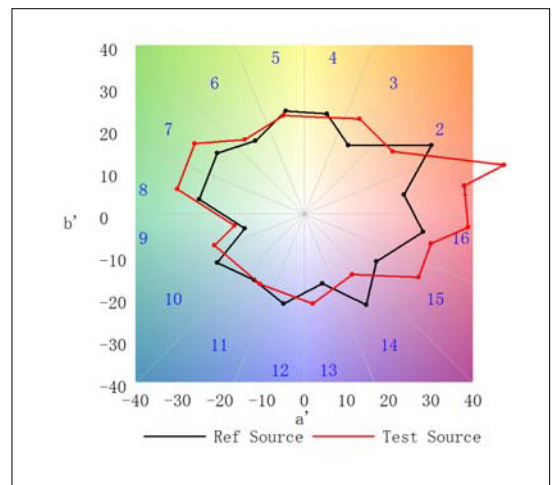
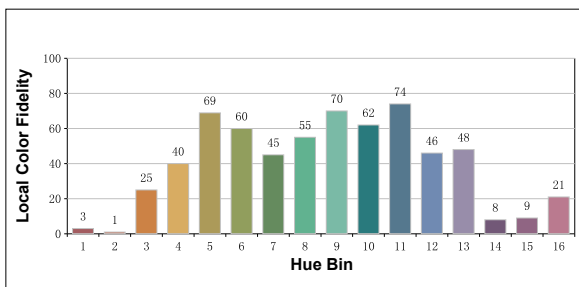
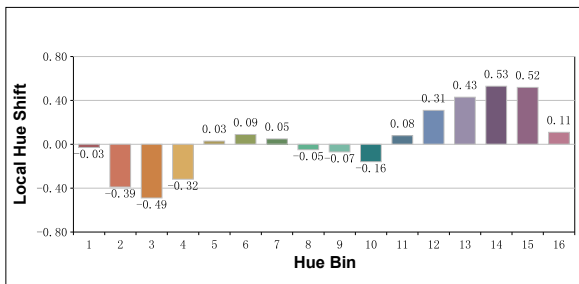
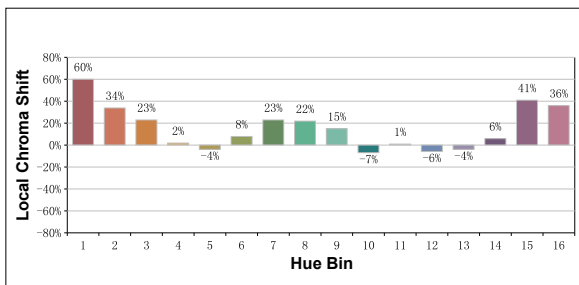
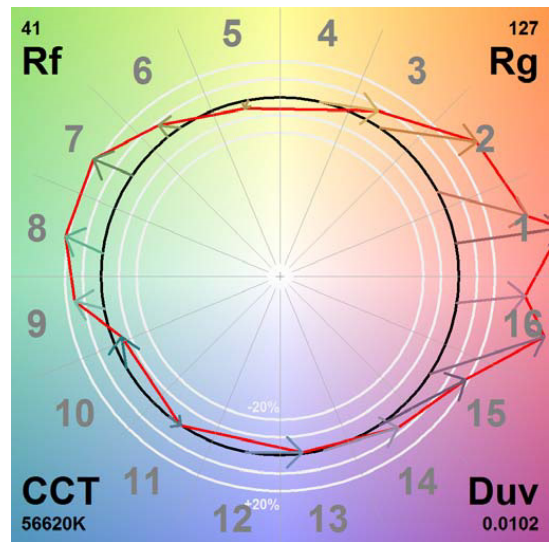
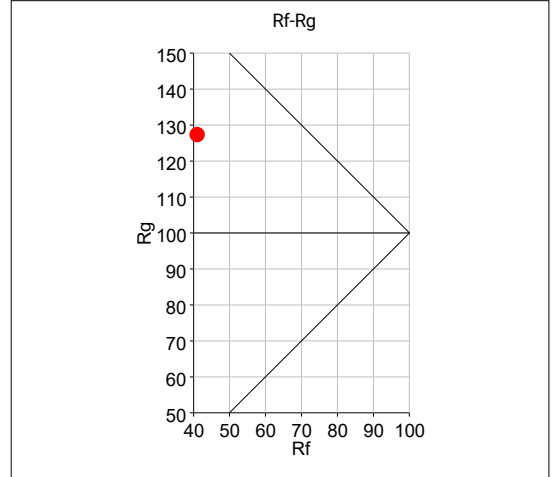
#### Colour Parameters

Color temperature	Color rendering index	Color fidelity	Color gamut	Color quality scale	Color coordinate cie 1931	Color coordinate cie 1931	Color coordinate	Color coordinate	Color deviation from black body
CCT	CRI	TM30 Rf	TM30 Rg	CQS	x	y	u	v	Δuv
5,6620K	44.2	41	127	28.6	0.2359	0.2484	0.1713	0.4058	0.0102

## PHOTOMETRIC REPORT – TM-30

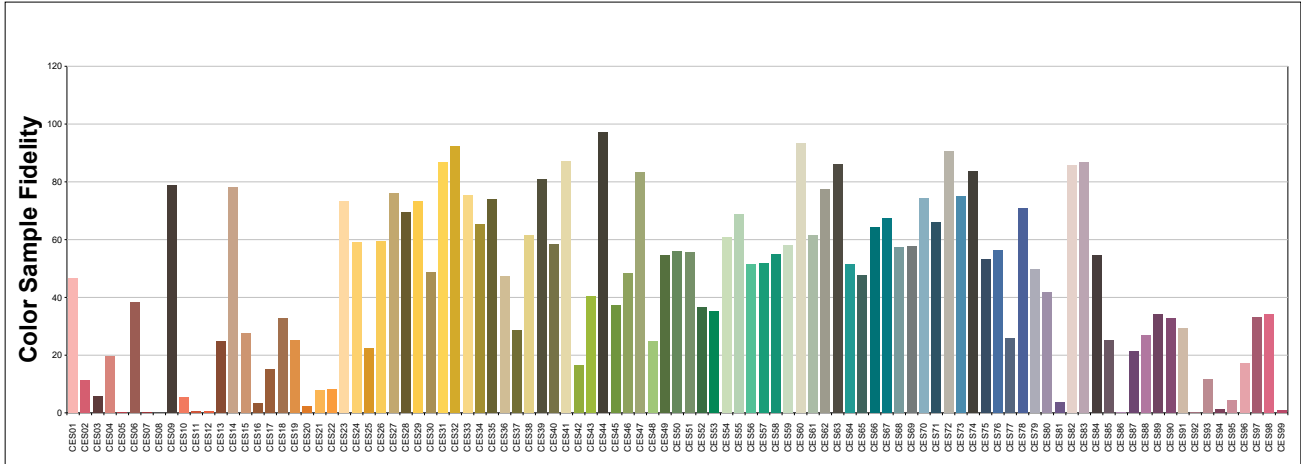
**TM-30 Rf (IES TM-30-15 Fidelity Index): 41**  
**TM-30 Rg (IES TM-30-15 Fidelity Index): 127**

Hue Bin	Hue Angle	Graphic shift(%)		
		Rf	Chroma	Hue
1	0.0° – 22.5°	3	60	-3
2	22.5° – 45.0°	1	34	-39
3	45.0° – 67.5°	25	23	-49
4	67.5° – 90.0°	40	2	-32
5	90.0° – 112.5°	69	-4	3
6	112.5° – 135.0°	60	8	9
7	135.0° – 157.5°	45	23	5
8	157.5° – 180.0°	55	22	-5
9	180.0° – 202.5°	70	15	-7
10	202.5° – 225.0°	62	-7	-16
11	225.0° – 247.5°	74	1	8
12	247.5° – 270.0°	46	-6	31
13	270.0° – 292.5°	48	-4	43
14	292.5° – 315.0°	8	6	53
15	315.0° – 337.5°	9	41	52
16	337.5° – 360.0°	21	36	11



## PHOTOMETRIC REPORT – TM-30

### Color Evaluation Sample



## PHOTOMETRIC REPORT – TLCI-11



Sector	Lightness	Chroma	Hue
R	-16	-9	-1
R/Y	1	-3	8
Y	1	-1	1
Y/G	-1	-5	-6
G	-4	-8	-4
G/C	-1	-8	4
C	-4	-1	8
C/B	1	-2	3
B	-2	-5	-4
B/M	-1	-2	-3
M	-7	-3	-13
M/R	-15	-7	-12