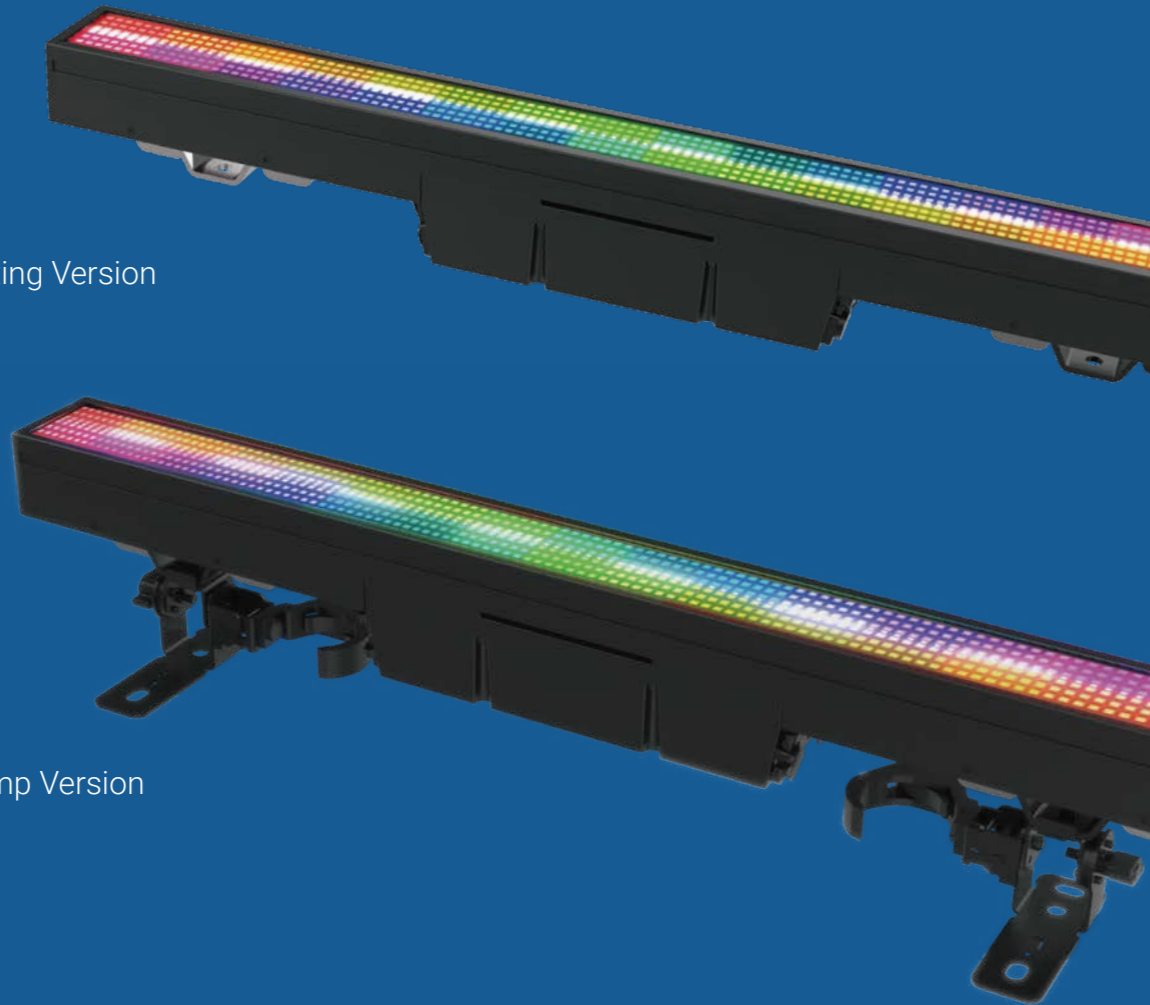


# PIXEL LINE IP

## STROBE 3 IP

Omega Bracket Mounting Version



Sliding Adjustable Clamp Version

Light Source

**672 x 0.5W RGB LED**  
**112 x 3W CW LED**

Beam Angle

RGB Beam Angle: **101°**

CW Beam Angle: **108°**

Field Angle

RGB Field Angle: **149°**

CW Field Angle: **152°**

Protection Rating

**IP66**



Color Mapping



Full Open Transparent



Linear Strobe



Full Open by Frosted

### Main Features

Light Source:

672pcs 0.5W RGB LED

(can be divided into 32 controllable sections)

112pcs 3W CW LED

(can be divided into 16 controllable sections)

DMX Controllable Smart Glass technology

Patent No.:

CN216010577U

US11698183B1

DE202023101966U1

FR3134870B3

Outstanding color effects

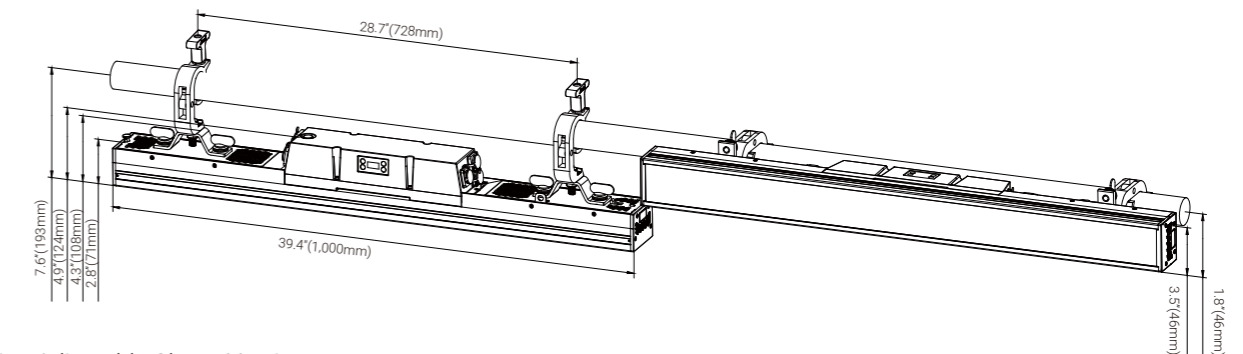
High output strobe effects

Multiple units can be connected tool free

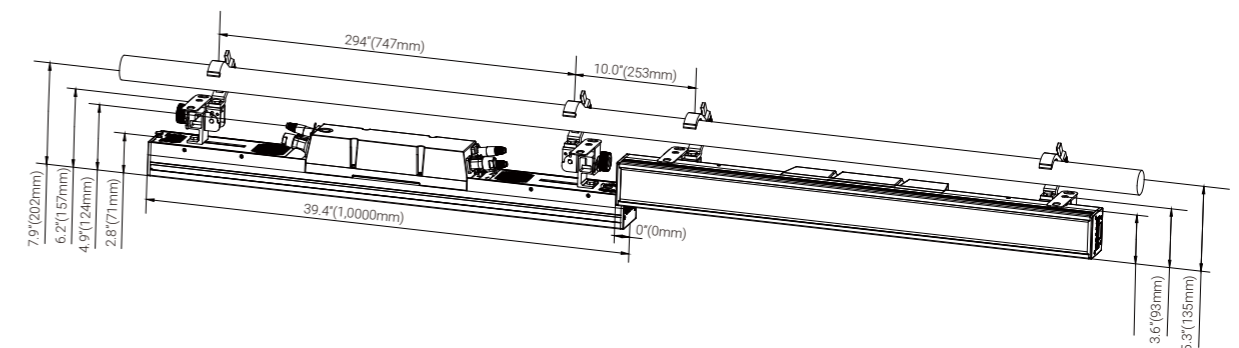
Four dimming curves

### Technical Specifications

1. Omega Bracket Mounting Version



2. Sliding Adjustable Clamp Version



**Version**

- Vesion1: STROBE 3 IP (Omega Bracket Mounting)
- Vesion 2: STROBE 3 IPS (Sliding Adjustable Clamp)
- Note: Different vesions cannot be connected together

**Light Source**

- Light Source:  
672 x 0.5W RGB LED  
112 x 3W CW LED
- Color Temperature Output of Fixture: 5,500K-7,000K
- Total Lumen Output of Fixture: 21,900 lumens
- Life Expectancy: 30,000 hours\*

\*Source manufacturer specification

**Optical System**

- Beam Angle:  
RGB Beam Angle: 101°  
CW Beam Angle: 108°
- Field Angle:  
RGB Field Angle: 149°  
CW Field Angle: 152°

**Other Effects**

- Outstanding strobe effect with variable speed
- Smooth dimming 0-100%
- Outstanding color effects

**Control**

- 4 touch button control panel
- Display: OLED display
- Protocols: DMX512, RDM, Art-Net, sACN
- DMX Protocol Modes: 13
- Control Channels:  
7/15/17/21/33/39/35/38/70/70N/112/117/119
- Firmware Upgrade: Upgrade via DMX link

**Electrical and Connectors**

- Input Voltage Range: 100-240Vac; 50/60Hz
- Power Consumption: 420W
- Power In/Out: Waterproof connections
- Data In/Out: 3-pin or 5-pin waterproof XLR, RJ45 connector

**Physical Information**

- Fixture Dimensions:  
Omega Bracket Mounting VersionFlight:  
1,000 x 90 x 124 mm (39.4" x 3.5" x 4.9")  
Weight: 7.3 kg (16.1 lbs)
- Sliding Adjustable Clamp Version:  
1,000 x 192 x 237 mm (39.4" x 7.6" x 9.3")  
Weight: 8.3 kg (18.3 lbs)

**Packing Information**

- Flight Case Dimensions - Omega Bracket Mounting Version :  
1,196 x 580 x 750 mm (47.1" x 22.8" x 29.5")  
Weight :  
Standard :  
G.W.: 126.5 kg (278.9 lbs) (eight-pack loader case)
- Flight Case Dimensions-Sliding Adjustable Clamp Version :  
1,209 x 565 x 655 mm (47.6" x 22.2" x 25.8")  
Weight :  
Standard :  
G.W.: 115 kg (253.5 lbs) (eight-pack loader case)
- Flight Case Dimensions - Omega Bracket Mounting Version:  
1,220 x 610 x 830 mm (48.0" x 24.0" x 32.7")  
Weight :  
North American Standard :  
G.W.: 138.2 kg (304.7 lbs) (eight-pack loader case)
- Carton Dimensions:  
1,085 x 195 x 320 mm (42.7" x 7.7" x 12.6")  
Weight: 10.5 kg (23.0 lbs) (one-pack loader carton)

**Work Environment**

- Maximum Ambient Temperature: 40°C
- Minimum Operating Temperature: -10°C
- Maximum Surface Temperature: 65°C
- Protection Rating: IP66

**Installation**

- Horizontal or vertical mounting
- Universal working position
- 2 omega brackets
- Safety cable attachment point

**Included Items**

- Digital user manual
- Power cable
- 2 omega brackets (3002003002)

**Optional Accessories (with item code)**

- Flight Case - Omega Bracket Mounting Version:  
Standard : Eight-pack loader case (63582731)
- Flight Case -Sliding Adjustable Clamp Version :  
Standard : Eight-pack loader case (63582662)
- Flight Case - Omega Bracket Mounting Version:  
North American Standard : Eight-pack loader case (63582905)
- Safety Cable: Sw-02 (2060000200-B)
- Signal Cable: 3-pin waterproof signal cable (3017013468) or  
5-pin waterproof signal cable (3017013473)
- Customized Foldable Clamps & Floor Stand with Omega Bracket (63583890)
- Customized Floor Stand with Omega Bracket (63583863)
- Customized Floor Stand without Omega Bracket (63583845)

1.Omega Brackets Version



Customized Floor Stand without Omega Bracket (63583845)



Customized Floor Stand with Omega Bracket (63583863)

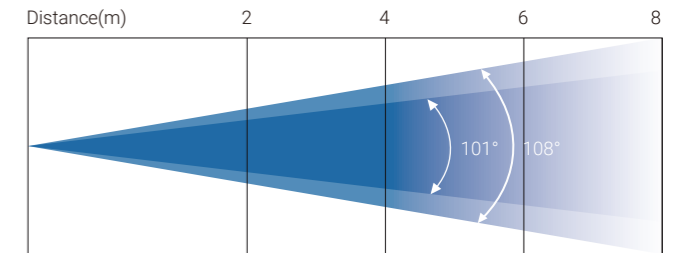
2.Sliding Adjustable Clamp Position Version



Customized Foldable Clamps & Floor Stand with Omega Bracket (63583890)

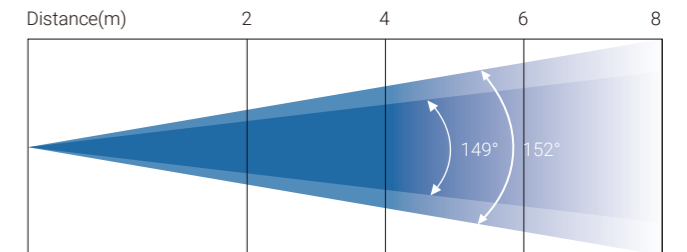
**Photometric (Images)**

Beam Angle:



	2	4	6	8
101° RGB Lux	1,163	291	129	73
Diameter(m)	4.8	9.7	14.5	19.4
108° CW Lux	2,919	730	324	182
Diameter(m)	5.7	11.0	16.0	21.7

Field Angle:



	2	4	6	8
149° RGB Lux	1,163	291	129	73
Diameter(m)	14.2	28.4	42.6	56.8
152° CW Lux	2,919	730	324	182
Diameter(m)	16.4	32.8	49.0	61.0



Specifications subject to change without notice. 04/15/2026