

CYCLONE

Unleash a Visual Storm

SPEC SHEET



Foshan YiFeng Electric Industrial Co.,Ltd.

No.898, Gaoming Avenue East, Hecheng Blvd, Gaoming District, Foshan, Guangdong, China.

Web: www.acmelighting.com Email: sales@acmelighting.com

All rights reserved by Acme®. Features, specifications and appearance are subject to change without notice.

REV: 23/04/2026

ACME®

CYCLONE

Unleash a Visual Storm

SPEC SHEET

FIXTURE OVERVIEW

- Unleash a storm of visual energy with the ACME **CYCLONE**. Inspired by the success of the top-selling TORNADO, the fixture delivers a powerful central beam, a pixel ring, vibrant washes, and infinite motion – all from a single head.
- At its core is a 150W RGLB LED engine, delivering 3,600 lumens of bright output and rich, saturated colors. The kaleidoscope effect brings vivid, grid-like textures to the stage, creating layered, dreamlike visuals. Surrounding the center lens is an outer ring of 24, 0.5W RGB LEDs, offering dazzling pixel and high-impact strobe effects.
- The fixture provides a fast, smooth zoom for instant transitions from sharp 4° beams to wide, even 30° washes. With three-axis movement, the **CYCLONE** delivers highly kinetic motion. Its infinite pan enables fast, fluid movement, unlocking even more dynamic effects and greater creative freedom.
- Designed to expand your creative palette, the **CYCLONE** delivers exceptional color mixing and striking macro effects. A variable CTO enables seamless transitions from warm to cool tones, shaping the perfect atmosphere for every scene.
- With an IP66 rating, it performs reliably anywhere – from tours and live events to outdoor festivals. Lightweight, powerful, and relentlessly dynamic, the **CYCLONE** delivers uncompromising performance and high-impact visual effects in a compact package.



FEATURE HIGHLIGHTS

- Light Source:
 - Beam/Wash Section: 1 x 150W RGLB LED (Main Light)
 - Pixel/Strobe Section: 24 x 0.5W RGB LEDs (Outer Circle)
- Beam Angle: 4°-30°
- Field Angle: 5°-35°
 - Kaleidoscope Effect: 14°, 24°
- Fixture Luminous Output:
 - Beam/Wash Section: 3,600 lumens
 - Pixel/Strobe Section: 1,500 lumens
 - Kaleidoscope Effect: 4,000 lumens
- Color Temperature Output of Fixture: 8,000K
- Variable CTO ranging from 2,500K-8,000K
- Outstanding strobe effect with variable speed
- Smooth dimming 0-100% (4 user selectable dimming curves)
- Outstanding color mixing effects
- Outstanding color macro effects
- Linear focus system
- IP66 rated

Foshan YiFeng Electric Industrial Co.,Ltd.

No.898, Gaoming Avenue East, Hecheng Blvd, Gaoming District, Foshan, Guangdong, China.

Web: www.acmelighting.com Email: sales@acmelighting.com

All rights reserved by Acme®. Features, specifications and appearance are subject to change without notice.

REV: 23/04/2026

Acme®

TECHNICAL SPECIFICATIONS

Model

- Model Name: CYCLONE
- Model Code: CM 150 IP

Light Source

- Light Source:
 - Beam/Wash Section: 1 x 150W RGBL LED (Main Light)
 - Pixel/Strobe Section: 24 x 0.5W RGB LEDs (Outer Circle)
- Color Temperature Output of Fixture: 8,000K
- Life Expectancy: 20,000 hours
- *Source manufacturer specification

Photometric Data

- Fixture Luminous Output:
 - Beam/Wash Section: 3,600 lumens
 - Pixel/Strobe Section: 1,500 lumens
 - Kaleidoscope Effect: 4,000 lumens
- CCT: 8,000K (+/- 200K)
- Ra: 82
- TM-30 Rf (IES TM-30-15 Fidelity Index): 87
- TM-30 Rg (IES TM-30-15 Fidelity Index): 100
- TLCI: 90

Optical System

- Beam Angle: 4°-30°
- Field Angle: 5°-35°
- Kaleidoscope Effect: 14°, 24°

Control & Program

- 4 touch button control panel
- Display: OLED display
- Protocols: DMX, RDM, Art-Net, sACN, NFC
- Setting and Addressing: Display menu, RDM
- DMX Modes: 3
- DMX Channels: 27/50/58
- Firmware Upgrade: Upgrade via DMX link

Pan & Tilt

- Pan: Infinity
- Tilt: 220°

- Roll: 60°
- Automatic Pan/Tilt position correction
- Resolution: 16 bit
- Pan/Tilt lock

Color Correction

- Linear CTO Color Correction: 2,500K-8,000K

Electrical

- Input Voltage Range: 100-240Vac; 50/60Hz
- Power Consumption: 260W
- Power In/Out: Waterproof power connector in/out
- Data In/Out: 3-pin or 5-pin waterproof XLR, waterproof RJ45 connector

Physical

- Weight: 8.5 kg (18.7 lbs)
- Length (Head): 203 mm (8")
- Length (Base): 228 mm (9")
- Width (Across Yoke): 235 mm (9.3")
- Height (Head Up): 363 mm (14.3")

Construction

- Housing: Magnesium alloy and plastic
- Color: Black
- Protection Rating: IP66

Work Environment

- Maximum Ambient Temperature: 45°C
- Minimum Operating Temperature: -20°C
- Maximum Surface Temperature: 72°C

Acoustic Data

- Noise Level:
 - Auto Mode: 50 dB(A) @ 1 m
 - Quiet Mode: 36 dB(A) @ 1 m
 - Super Quiet Mode: 35 dB(A) @ 1 m

Installation

- Universal working position
- 2 omega bracket
- Safety cable attachment point

CYCLONE

Unleash a Visual Storm

SPEC SHEET

TECHNICAL SPECIFICATIONS

Approvals

- CE compliant
 - EMC directive 2014/30/EU
 - LVD directive 2014/35/EU
- UKCA compliant
 - Electromagnetic Compatibility Regulations 2016
 - Electrical Equipment (Safety) Regulations 2016
- cETLus compliant
 - UL 1573
 - CSA C22.2 #166



INCLUDED ITEMS

Included Items

- Digital user manual
- Power cable
- 2 omega brackets (3002003002)

ORDERING INFORMATION

Optional Accessories (With Order Code)

- Flight Case
- Standard: Six-pack loader case (63584349)
- North American Standard:
Eight-pack loader case (63584377)
- Clamp: C-150B (2060001625-C)
- Safety Cable: SW-05 (2060001603-E)
- Signal Cable: 3-pin waterproof signal cable
(3017013468) or 5-pin waterproof signal
cable (3017013473)

Carton Dimensions

- Width: 330 mm (13")
- Depth: 315 mm (12.4")
- Height: 520 mm (20.5")
- Weight:
G.W.: 11 kg (24.3 lbs) (one-pack loader carton)



C-150B: 2060001625-C



3-pin/5-pin waterproof
signal cable: 3017013468/3017013473



SW-05: 2060001603-E



Flight Case (Standard): 63584349

CYCLONE

Unleash a Visual Storm

SPEC SHEET

(STANDARD) FLIGHT CASE

APPLICABLE MODELS

- CYCLONE (CM 150 IP)

ORDER CODE

- 63584349 CYCLONE (CM 150 IP)

CASE WEIGHT

- 56 kg (123.5 lbs)

MEAS

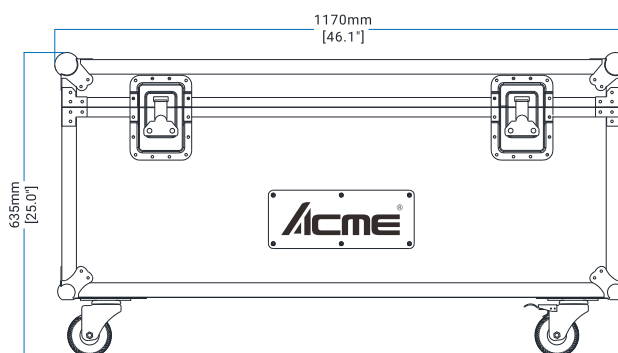
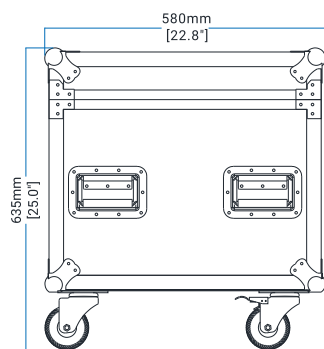
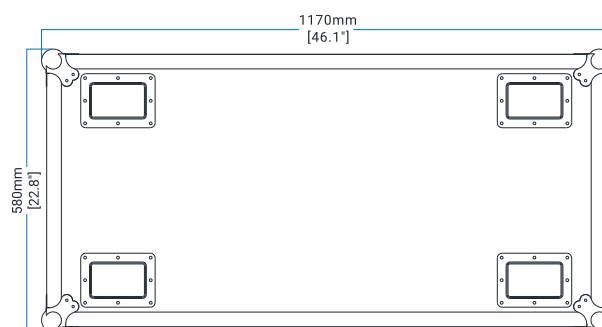
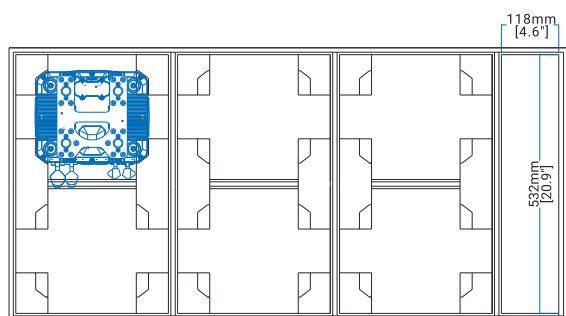
- 1,170 x 580 x 640 mm (46.1" x 22.8" x 25.0")

LOADING Q'TY

- Six-pack loader case

MAXIMUM STACKING

- 3 stacks



ACASE by ACME Version: 20260126-A

Foshan YiFeng Electric Industrial Co.,Ltd.

No.898, Gaoming Avenue East, Hecheng Blvd, Gaoming District, Foshan, Guangdong, China.

Web: www.acmelighting.com Email: sales@acmelighting.com

All rights reserved by Acme®. Features, specifications and appearance are subject to change without notice.

REV: 23/04/2026

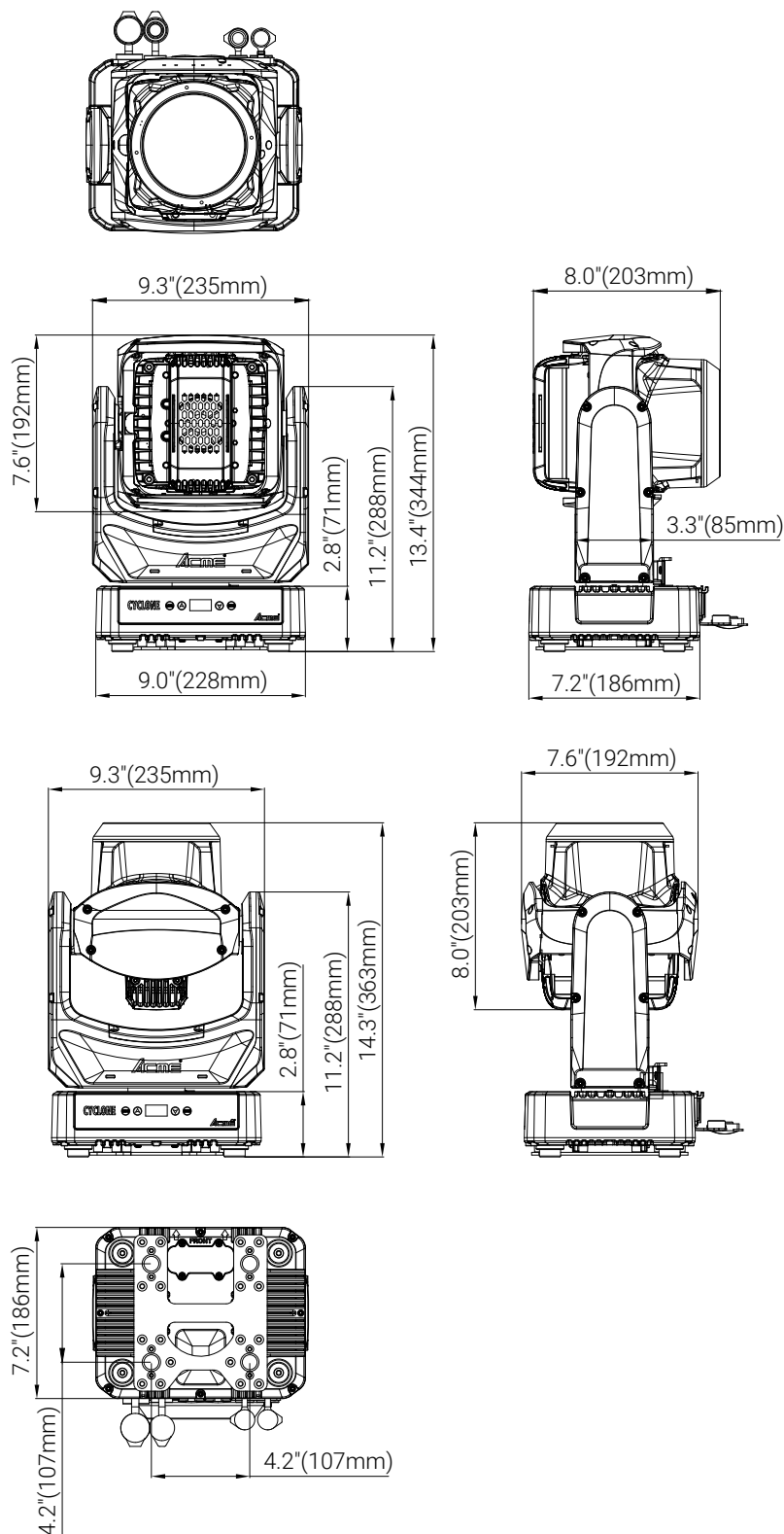
Acme®

CYCLONE

Unleash a Visual Storm

SPEC SHEET

DIMENSIONS



Foshan YiFeng Electric Industrial Co.,Ltd.

No.898, Gaoming Avenue East, Hecheng Blvd, Gaoming District, Foshan, Guangdong, China.

Web: www.acmelighting.com Email: sales@acmelighting.com

All rights reserved by Acme®. Features, specifications and appearance are subject to change without notice.

REV: 23/04/2026

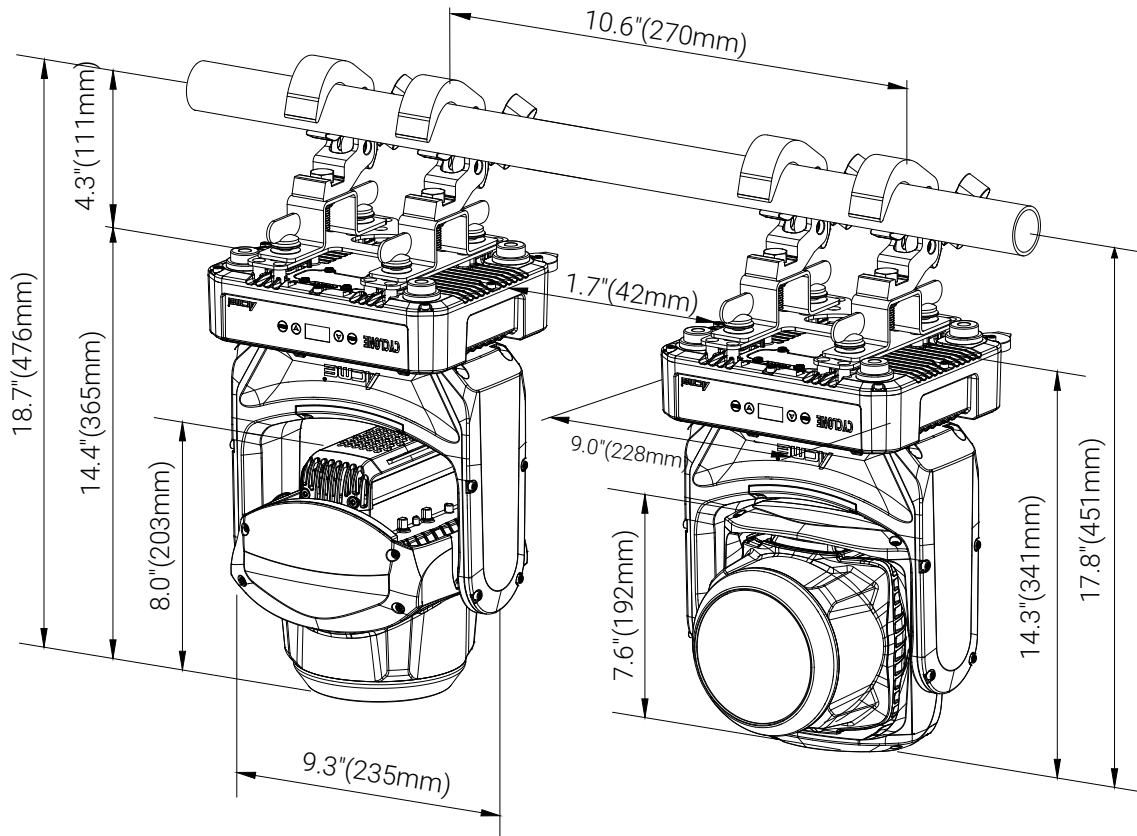
Acme®

CYCLONE

Unleash a Visual Storm

SPEC SHEET

HANGING DIMENSIONS



Foshan YiFeng Electric Industrial Co.,Ltd.

No.898, Gaoming Avenue East, Hecheng Blvd, Gaoming District, Foshan, Guangdong, China.

Web: www.acmelighting.com Email: sales@acmelighting.com

All rights reserved by Acme®. Features, specifications and appearance are subject to change without notice.

REV: 23/04/2026

Acme®

CYCLONE

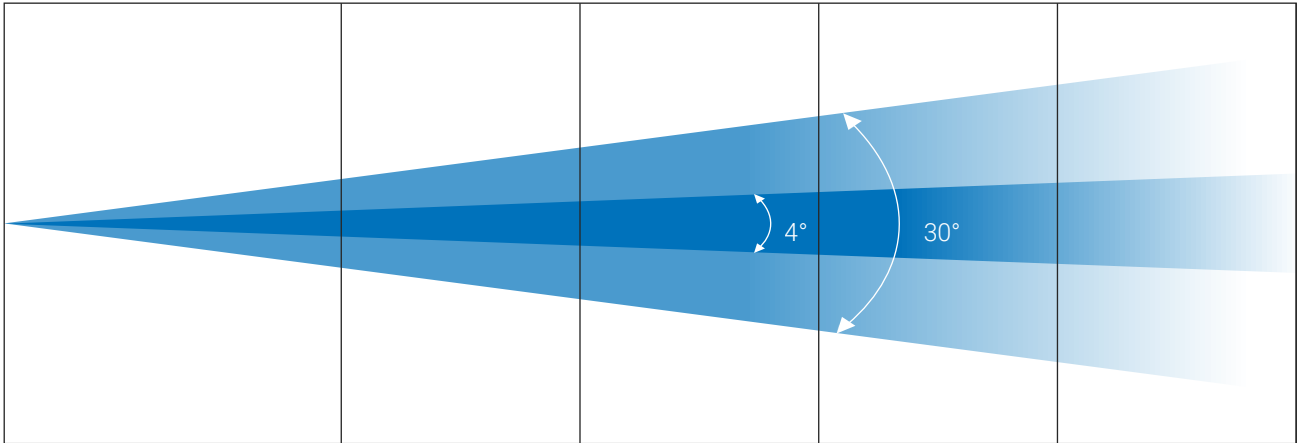
Unleash a Visual Storm

SPEC SHEET

PHOTOMETRIC

Beam Angle:

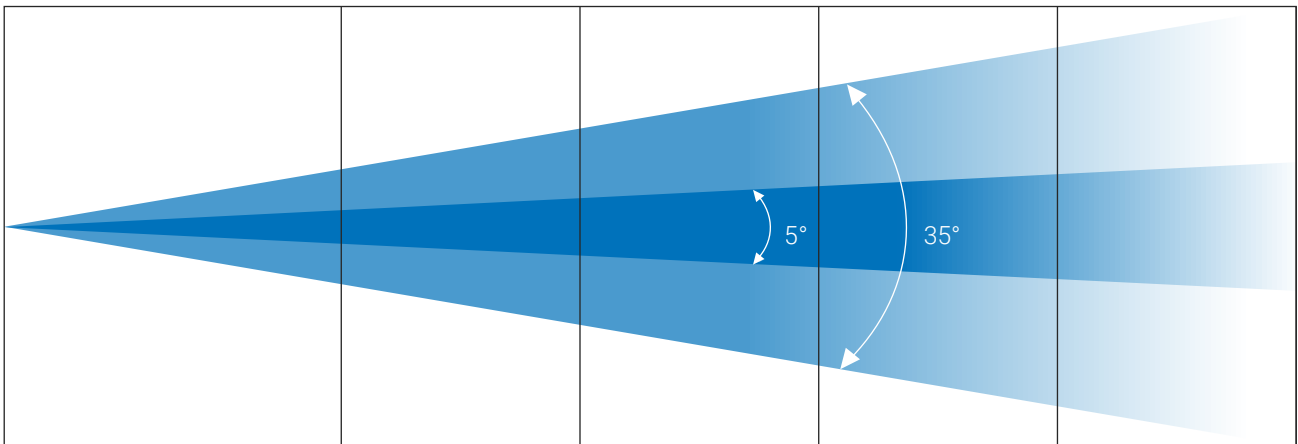
Distance m (ft) 5 (16.4) 10 (32.8) 15 (49.2) 20 (65.6) 25 (82)



4°RGBL Lux	27,600	6,900	3,050	1,700	1,100
Diameter m (ft)	0.3 (1)	0.5 (1.6)	0.8 (2.6)	1.0 (3.3)	1.0 (3.3)
30°RGBL Lux	800	200	90	50	32
Diameter m (ft)	2.7 (8.9)	5.4 (17.7)	8.4 (27.6)	10.7 (35.1)	13.1 (43)

Field Angle:

Distance m (ft) 5 (16.4) 10 (32.8) 15 (49.2) 20 (65.6) 25 (82)



5°RGBL Lux	27,600	6,900	3,050	1,700	1,100
Diameter m (ft)	0.4 (1.3)	0.7 (2.3)	1.1 (3.6)	1.4 (4.6)	1.8 (5.9)
35°RGBL Lux	800	200	90	50	32
Diameter m (ft)	3.2 (10.5)	6.3 (20.7)	9.5 (31.2)	12.6 (41.3)	15.8 (51.8)

Foshan YiFeng Electric Industrial Co.,Ltd.

No.898, Gaoming Avenue East, Hecheng Blvd, Gaoming District, Foshan, Guangdong, China.

Web: www.acmelighting.com Email: sales@acmelighting.com

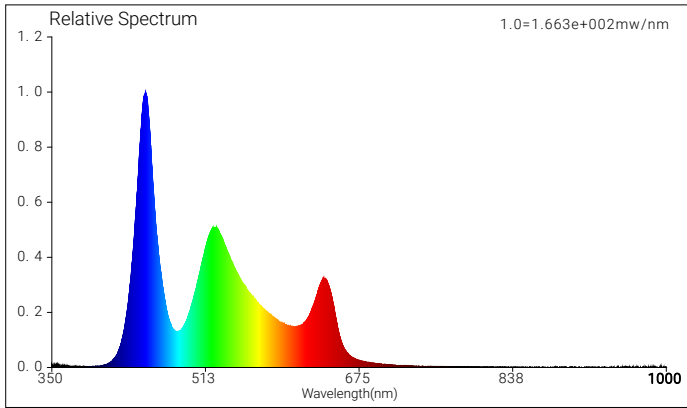
All rights reserved by Acme®. Features, specifications and appearance are subject to change without notice.

REV: 23/04/2026

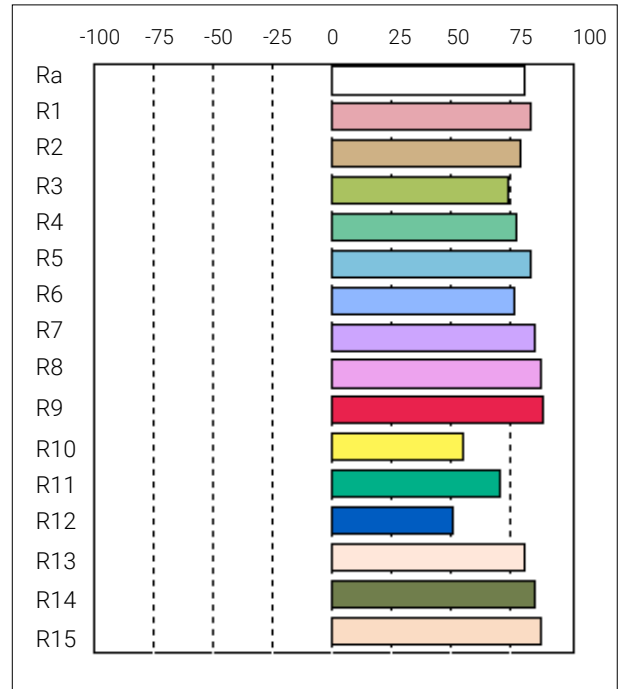


PHOTOMETRIC REPORT – CHROMATICITY

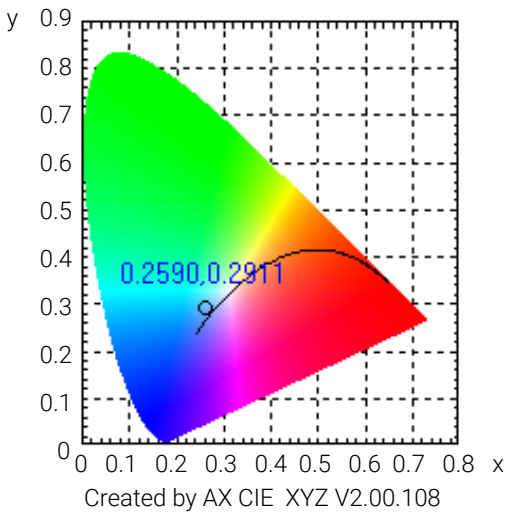
Spectral Distribution



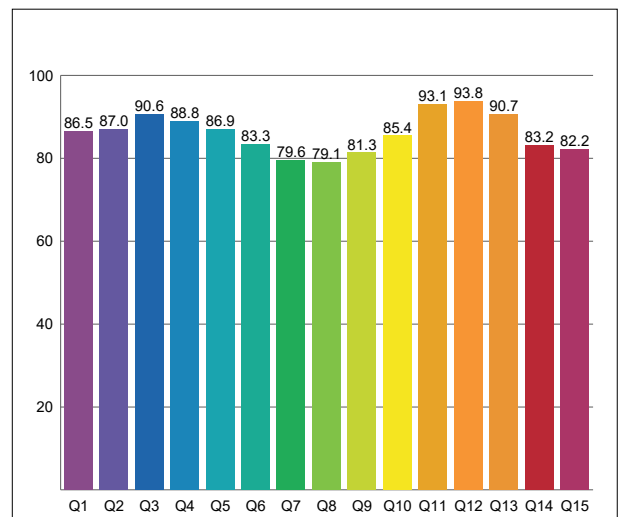
CRI: 82.4 (R1-R8)



CIE 1931 EVERFINE



CQS: 85.2 (Q1-Q8)



CRI C Values

C1	C2	C3	C4	C5	C6	C7	C8	C9	C10	C11	C12	C13	C14	C15	C16
85.3	80.9	75.4	79.2	84.7	78.0	86.3	89.4	89.9	56.2	72.2	52.0	82.3	86.9	89.6	82.4

TM30 R Values

R1	R2	R3	R4	R5	R6	R7	R8	R9	R10	R11	R12	R13	R14	R15
85.3	80.9	75.4	79.2	84.7	78.0	86.3	89.4	89.9	56.2	72.2	52.0	82.3	86.9	89.6

CQS Q Values

Q1	Q2	Q3	Q4	Q5	Q6	Q7	Q8	Q9	Q10	Q11	Q12	Q13	Q14	Q15
86.5	87.0	90.6	88.8	86.9	83.3	79.6	79.1	81.3	85.4	93.1	93.8	90.7	83.2	82.2

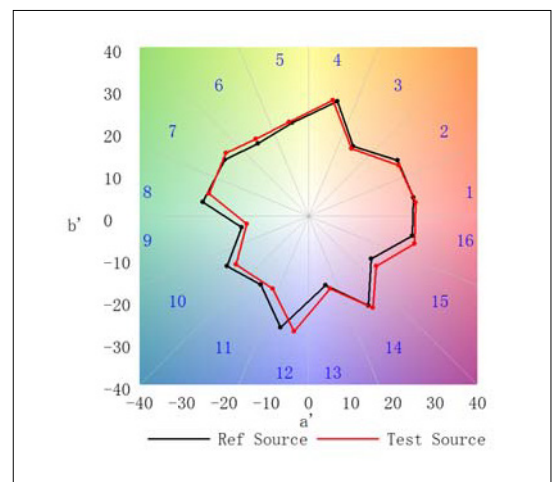
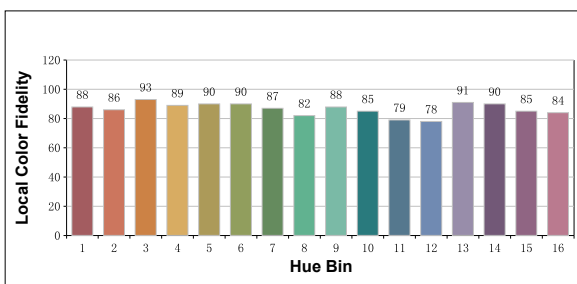
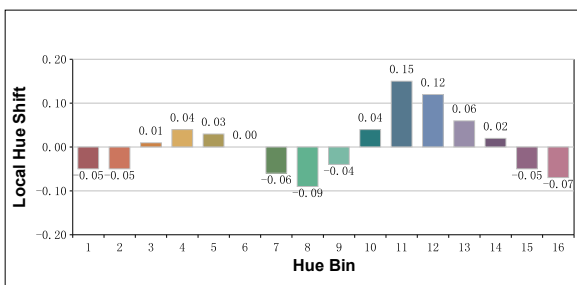
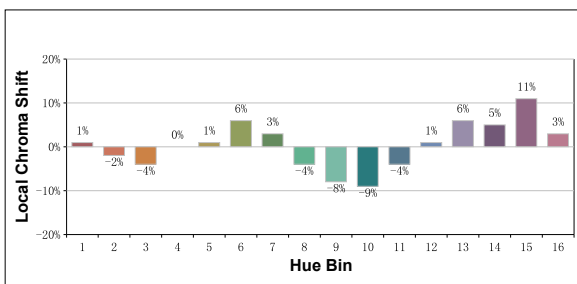
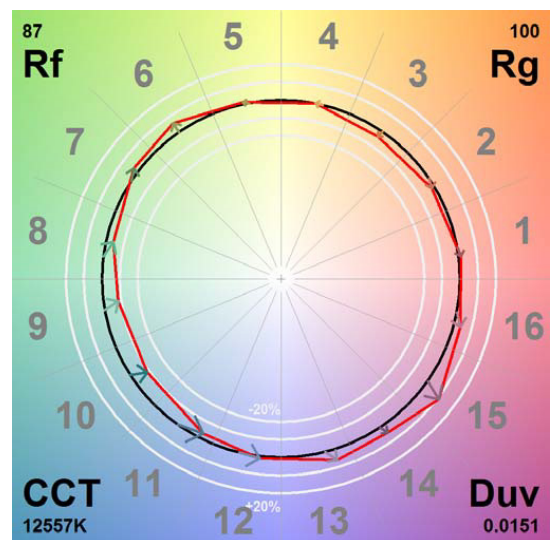
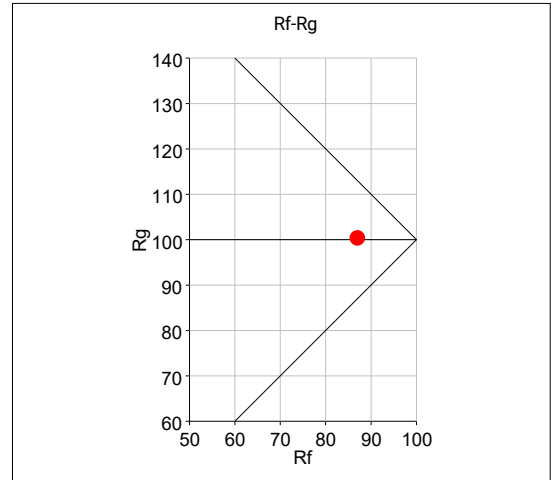
Colour Parameters

Color temperature	Color rendering index	Color fidelity	Color gamut	Color quality scale	Color coordinate cie 1931	Color coordinate cie 1931	Color coordinate	Color coordinate	Color diviation from black body
CCT	CRI	TM30 Rf	TM30 Rg	CQS	x	y	u	v	Δuv
12,557K	82.4	87	100	85.2	0.2590	0.2911	0.1734	0.4384	0.0151

PHOTOMETRIC REPORT – TM-30

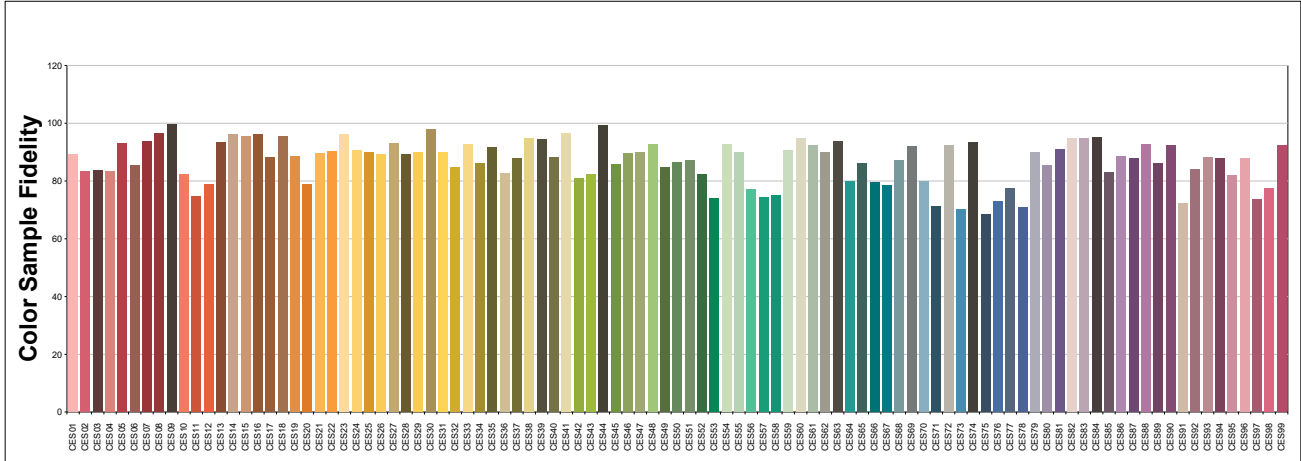
TM-30 Rf (IES TM-30-15 Fidelity Index): 87
 TM-30 Rg (IES TM-30-15 Fidelity Index): 100

Hue Bin	Hue Angle	Graphic shift(%)		
		Rf	Chroma	Hue
1	0.0° – 22.5°	88	1	-5
2	22.5° – 45.0°	86	-2	-5
3	45.0° – 67.5°	93	-4	1
4	67.5° – 90.0°	89	0	4
5	90.0° – 112.5°	90	1	3
6	112.5° – 135.0°	90	6	0
7	135.0° – 157.5°	87	3	6
8	157.5° – 180.0°	82	-4	-9
9	180.0° – 202.5°	88	-8	-4
10	202.5° – 225.0°	85	-9	4
11	225.0° – 247.5°	79	-4	15
12	247.5° – 270.0°	78	1	12
13	270.0° – 292.5°	91	6	6
14	292.5° – 315.0°	90	5	2
15	315.0° – 337.5°	85	11	-5
16	337.5° – 360.0°	84	3	-7



PHOTOMETRIC REPORT – TM-30

Color Evaluation Sample



PHOTOMETRIC REPORT – TLCI-90

Color Evaluation Sample



Sector	Lightness	Chroma	Hue
R	-1	-1	0
R/Y	0	0	0
Y	-1	-1	-1
Y/G	-1	-2	-1
G	-2	-2	0
G/C	0	-2	3
C	0	-1	2
C/B	0	0	1
B	0	-2	-2
B/M	0	-1	0
M	0	-1	0
M/R	-1	-2	0