

# SANA PROFILE

*Compact Power, Unlimited Creativity*

**SPEC SHEET**



Foshan YiFeng Electric Industrial Co.,Ltd.

No.898, Gaoming Avenue East, Hecheng Blvd, Gaoming District, Foshan, Guangdong, China.

Web: [www.acmelighting.com](http://www.acmelighting.com) Email: [sales@acmelighting.com](mailto:sales@acmelighting.com)

All rights reserved by Acme®. Features, specifications and appearance are subject to change without notice.

REV: 23/04/2026



# SANA PROFILE

Compact Power, Unlimited Creativity

SPEC SHEET

## FIXTURE OVERVIEW

- The ACME **SANA PROFILE** is the newest addition to the SANA series, combining the key features of the MANA series and LYRA into a compact moving profile. Designed for infinite motion and ultimate versatility, the fixture empowers designers to explore limitless creative possibilities.
- Equipped with a 330W LED engine, the **SANA PROFILE** delivers up to 15,000 lumens at a crisp 7,000K color temperature. Its 150 mm frontal lens produces stunningly clear beams. With a remarkable 14:1 zoom ratio and a wider zoom range from 3.9° to 50°, the fixture offers precise control and greater flexibility than LYRA, adapting effortlessly to diverse applications.
- To enhance creative possibilities, the **SANA PROFILE** features a CMY color mixing system for smooth color transitions, a variable CTO from 2,700K to 7,000K, and a six-color wheel for saturated colors. The effect section includes 9 static gobos, 7 rotating gobos, a graphic animation wheel, and two combinable prisms for layered aerial effects. Dual frost filters enable seamless transitions from sharp beams to soft, even washes. The framing system features 4 individually controllable shutter blades with  $\pm 90^\circ$  rotation, allowing precise beam shaping and instant full blackout.
- Compact yet uncompromising, the IP66-rated **SANA PROFILE** delivers power, versatility, and visual impact in a smaller footprint. It is the ultimate solution for designers seeking complete creative freedom.



## FEATURE HIGHLIGHTS

- LED engine comprised of 330W LED
- 150 mm diameter frontal lens
- Zoom Range: 3.9°-50°
- Light Engine Luminous Output: 23,500 lumens
- Fixture Luminous Output:
  - Auto Mode: 15,000 lumens
  - Quiet Mode: 11,000 lumens
  - Super Quiet Mode: 7,800 lumens
- Color Temperature Output of Fixture: 7,000K
- Standard Mode: Ra $\geq$ 70, HCRI Mode: Ra $\geq$ 90
- Linear CMY color mixing
- Variable CTO ranging from 2,700K-7,000K
- 1 Color Wheel: 6 colors + CRI, plus open
- 1 Static Gobo Wheel: 9 gobos, plus open
- 1 Rotating Gobo Wheel: 7 gobos, plus open
- 1 interchangeable graphic animation wheel with continuous rotation in both directions, used alone or in combination with gobos to create the splendid water wave & flame effect
- 1 x 4-facet circular prism and 1 x 4-facet linear prism
- 1 combinable light frost filter and 1 combinable medium frost filter
- 4 rotating full blackout framing shutter blades with individually controllable;  $\pm 90^\circ$  rotation of the framing system module
- Smooth dimming 0-100% (4 user selectable dimming curves)
- Outstanding strobe effect with variable speed
- Flicker-free management
- IP66 rated

Foshan YiFeng Electric Industrial Co.,Ltd.

No.898, Gaoming Avenue East, Hecheng Blvd, Gaoming District, Foshan, Guangdong, China.

Web: [www.acmelighting.com](http://www.acmelighting.com) Email: [sales@acmelighting.com](mailto:sales@acmelighting.com)

All rights reserved by Acme®. Features, specifications and appearance are subject to change without notice.

REV: 23/04/2026

**ACME**®

# SANA PROFILE

Compact Power, Unlimited Creativity

SPEC SHEET

## TECHNICAL SPECIFICATIONS

### Model

- Model Name: SANA PROFILE
- Model Code: XA 300 BSWF IP

### Light Source

- Light Source: 330W LED engine
- Life Expectancy: 20,000 hours\*
- \*Source manufacturer specification

### Photometric Data

- Light Engine Luminous Output: 23,500 lumens
- Fixture Luminous Output:
  - Auto Mode: 15,000 lumens
  - Quiet Mode: 11,000 lumens
  - Super Quiet Mode: 7,800 lumens
- CCT: 7,000K (+/- 200K)
- Standard Mode:  $Ra \geq 70$ , HCRI Mode:  $Ra \geq 90$
- TM-30 Rf (IES TM-30-15 Fidelity Index): 73
- TM-30 Rg (IES TM-30-15 Fidelity Index): 93
- TLCL: 48
- Peak Luminous Intensity: 2,898,000 cd

### Optical System

- Diameter of Frontal Lens: 150 mm
- Zoom Range: 3.9°-50°

### Control & Program

- 4 touch button control panel
- Display: LCD display
- Protocols: DMX, RDM, Art-Net, NFC
- Setting and Addressing: Display menu, RDM
- DMX Modes: 4
- DMX Channels: 27/36/36/45
- Firmware Upgrade: Upgrade via DMX link or USB stick

### Pan & Tilt

- Pan: Infinity
- Tilt: Infinity
- Automatic Pan/Tilt position correction
- Resolution: 16 bit
- Pan/Tilt lock

### Color Mixing

- Linear CMY color mixing

### Color Correction

- Linear CTO Color Correction: 2,700K-7,000K

### Color Wheel

- 1 Color Wheel: 6 colors + CRI, plus open

### Static Gobo Wheel

- 1 Static Gobo Wheel: 9 gobos, plus open
- Gobo
  - Image Diameter: 10.5 mm (0.4")
  - External Diameter: 20 mm (0.8")
  - Coating: Black high-temp resistant coating
  - Material: Borofloat glass

### Rotating Gobo Wheel

- 1 Rotating Gobo Wheel: 7 gobos, plus open
- Gobo
  - Image Diameter: 12 mm (0.5")
  - External Diameter: 20 mm (0.8")
  - Coating: Black high-temp resistant coating
  - Material:
    - Slot 1-6: Borofloat glass
    - Slot 7: Borosilicate glass

### Gobo Animation

- 1 interchangeable graphic animation wheel with continuous rotation in both directions, used alone or in combination with gobos to create the water and flame effect

### Framing

- Shutter Blades: 4 blades, each with separate movement and full blackout
- Rotation:  $\pm 90^\circ$  of the complete framing system

### Iris

- Motorized linear Iris

# SANA PROFILE

Compact Power, Unlimited Creativity

SPEC SHEET

## TECHNICAL SPECIFICATIONS

### Frost

- 1 combinable light frost filter and 1 combinable medium frost filter

### Focus

- Motorized focus system

### Prism

- 2 Combinable Rotating and Indexable Prisms:  
1 x 4-facet circular prism, 1 x 4-facet linear prism,  
rotatable and overlayable in both directions

### Electrical

- Input Voltage Range: 100-240Vac; 50/60Hz
- Power Consumption: 570W
- Power In/Out: Waterproof power connector in/out
- Data In/Out:  
3-pin or 5-pin waterproof XLR, waterproof RJ45 connector

### Physical

- Weight: 26 kg (57.3 lbs)
- Length (Head): 427 mm (16.8")
- Length (Base): 332 mm (13.1")
- Width (Across Yoke): 336 mm (13.2")
- Height (Head Up): 582 mm (22.9")

### Construction

- Housing: Aluminum-magnesium alloy
- Color: Black
- Protection Rating: IP66

### Work Environment

- Maximum Ambient Temperature: 45°C
- Minimum Operating Temperature: -20°C
- Maximum Surface Temperature: 75°C

### Acoustic Data

- Noise Level  
Auto Mode: 39 dB(A) @ 1m  
Quiet Mode: 35 dB(A) @ 1m  
Super Quiet Mode: 34 dB(A) @ 1 m

### Installation

- Horizontal or vertical mounting
- 2 omega brackets
- Safety cable attachment point

### Approvals

- CE compliant  
EMC directive 2014/30/EU  
LVD directive 2014/35/EU
- UKCA compliant  
Electromagnetic Compatibility Regulations 2016  
Electrical Equipment (Safety) Regulations 2016
- cETLus compliant  
UL 1573  
CSA C22.2 #166
- UKCA compliant



# SANA PROFILE

Compact Power, Unlimited Creativity

**SPEC SHEET**

## INCLUDED ITEMS

### Included Items

- Digital user manual
- Power cable
- 2 omega brackets (3002003003)

## ORDERING INFORMATION

### Optional Accessories (With Order Code)

- Flight Case:
  - Standard: Two-pack loader case (63584353)
  - North American Standard:
    - Three-pack loader case (63584381)
- Clamp: : C-250B (2060001632-B)
- Signal Cable:
  - 3-pin waterproof signal cable (3017013468) or
  - 5-pin waterproof signal cable (3017013473)
- Safety Cable: SW-05 (2060001603-E)

### Carton Dimensions

- Width: 550 mm (21.7")
- Depth: 455 mm (17.9")
- Height: 665 mm (26.2")
- Weight:
  - G.W.: 32 kg (70.6 lbs) (one-pack loader carton)



C-250B: 2060001632-B



3-pin/5-pin waterproof  
signal cable: 3017013468/3017013473



SW-05: 2060001603-E



Standard(Two-pack loader case): 63584353

Foshan YiFeng Electric Industrial Co.,Ltd.

No.898, Gaoming Avenue East, Hecheng Blvd, Gaoming District, Foshan, Guangdong, China.

Web: [www.acmelighting.com](http://www.acmelighting.com) Email: [sales@acmelighting.com](mailto:sales@acmelighting.com)

All rights reserved by Acme®. Features, specifications and appearance are subject to change without notice.

REV: 23/04/2026

**Acme®**

# SANA PROFILE

Compact Power, Unlimited Creativity

**SPEC SHEET**

## (STANDARD) FLIGHT CASE

### APPLICABLE MODELS

- SANA BEAM (XA 300 BEAM IP)
- SANA PROFILE (XA 300 BSWF IP)

### ORDER CODE

- 63584352 SANA BEAM (XA 300 BEAM IP)
- 63584353 SANA PROFILE (XA 300 BSWF IP)

### CASE WEIGHT

- 46 kg (101.4 lbs)

### MEAS

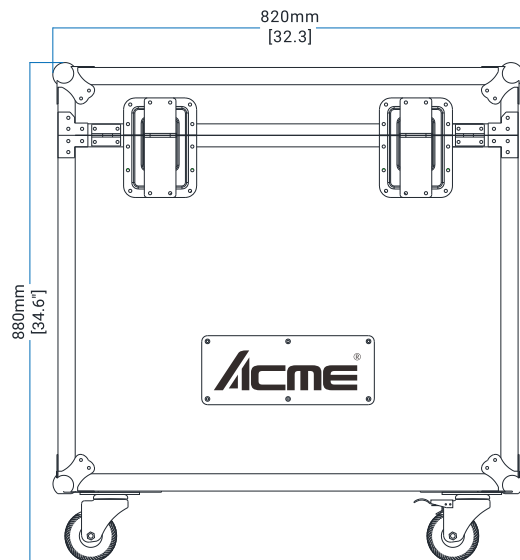
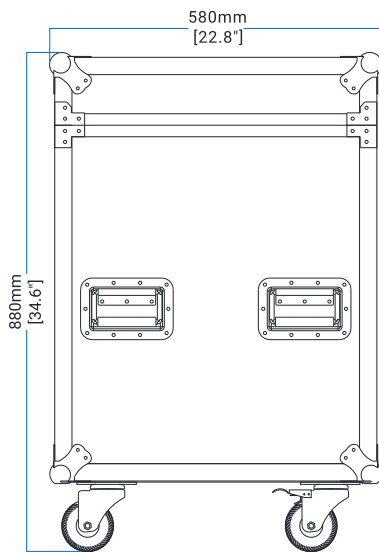
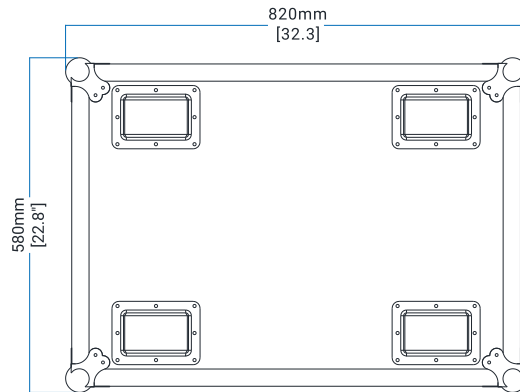
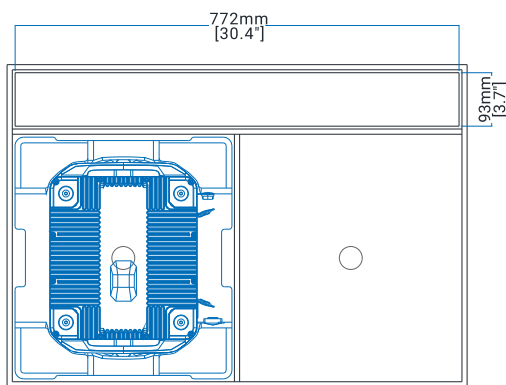
- 820 x 580 x 880 mm (32.3" x 22.8" x 34.6")

### LOADING Q'TY

- Two-pack loader case

### MAXIMUM STACKING

- 2 stacks



**ACASE** by ACME Version: 20260126-A

Foshan YiFeng Electric Industrial Co.,Ltd.

No.898, Gaoming Avenue East, Hecheng Blvd, Gaoming District, Foshan, Guangdong, China.

Web: [www.acmelighting.com](http://www.acmelighting.com) Email: [sales@acmelighting.com](mailto:sales@acmelighting.com)

All rights reserved by Acme®. Features, specifications and appearance are subject to change without notice.

REV: 23/04/2026

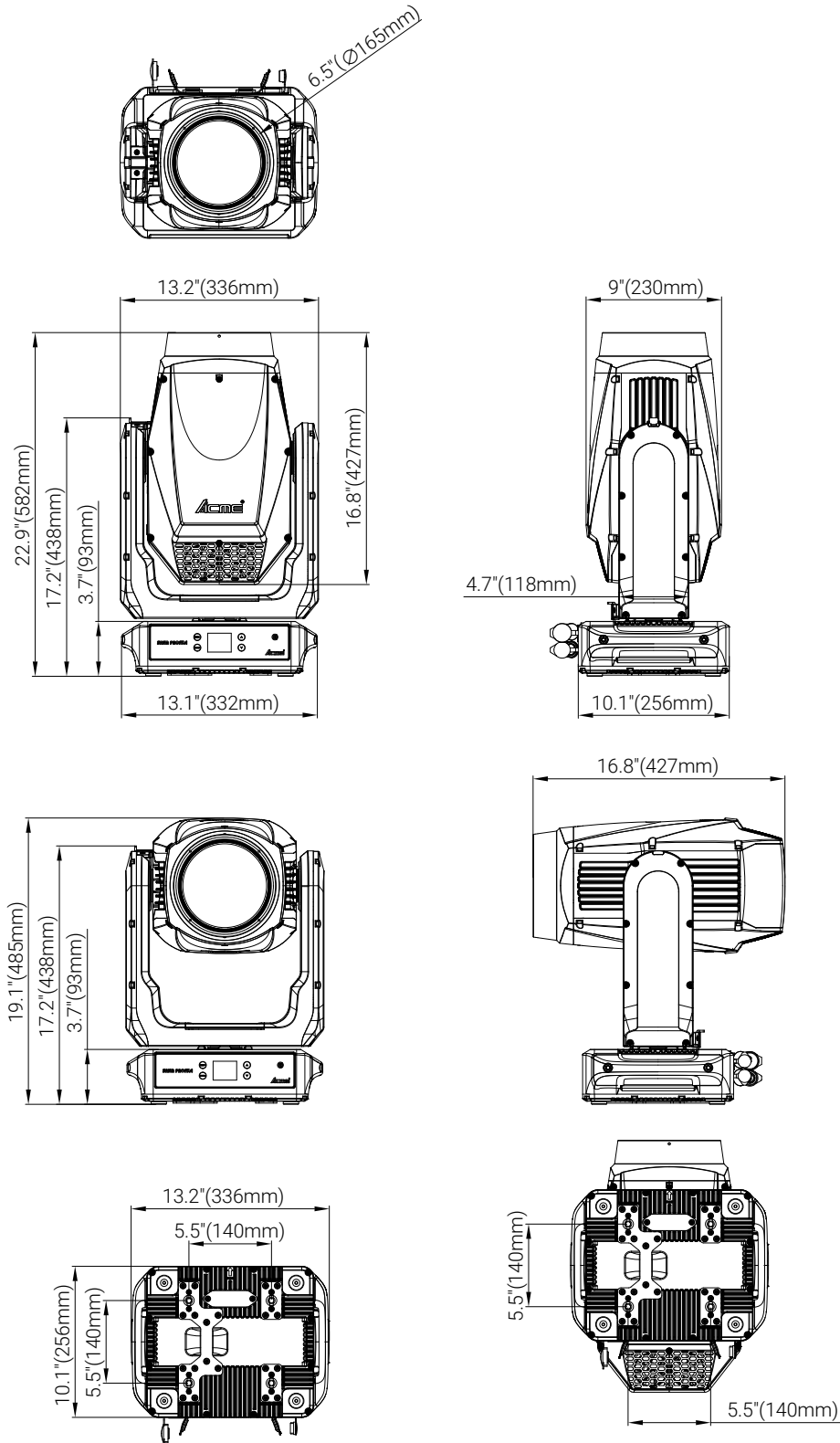
**ACME**®

# SANA PROFILE

Compact Power, Unlimited Creativity

SPEC SHEET

## DIMENSIONS



Foshan YiFeng Electric Industrial Co.,Ltd.

No.898, Gaoming Avenue East, Hecheng Blvd, Gaoming District, Foshan, Guangdong, China.

Web: [www.acmelighting.com](http://www.acmelighting.com) Email: [sales@acmelighting.com](mailto:sales@acmelighting.com)

All rights reserved by Acme®. Features, specifications and appearance are subject to change without notice.

REV: 23/04/2026

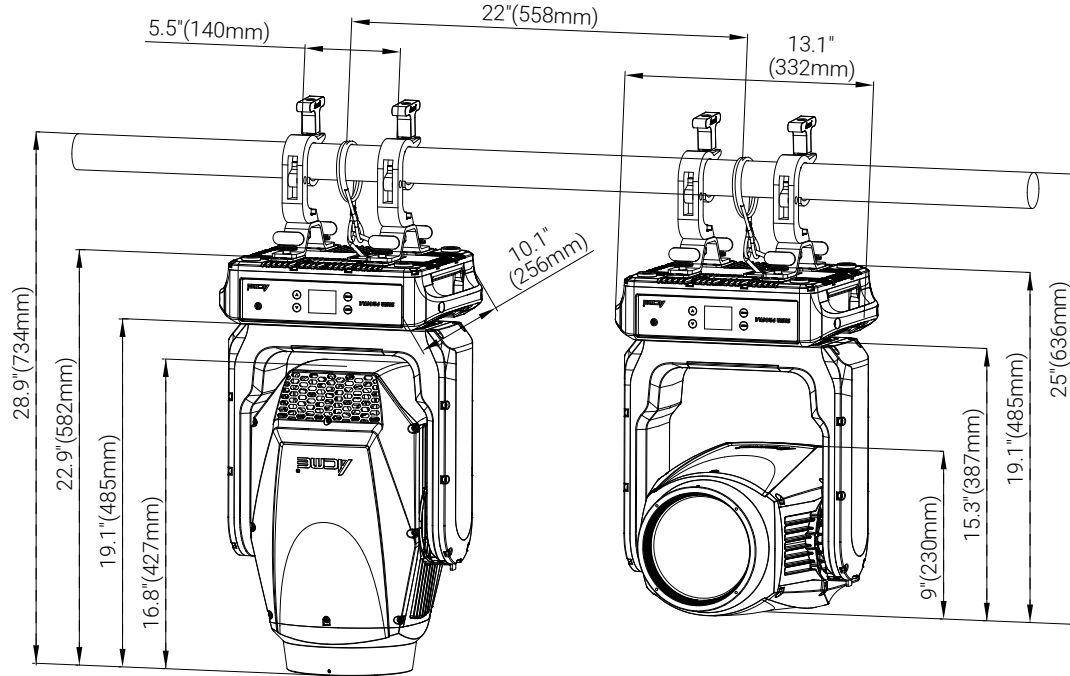
**Acme**®

# SANA PROFILE

Compact Power, Unlimited Creativity

**SPEC SHEET**

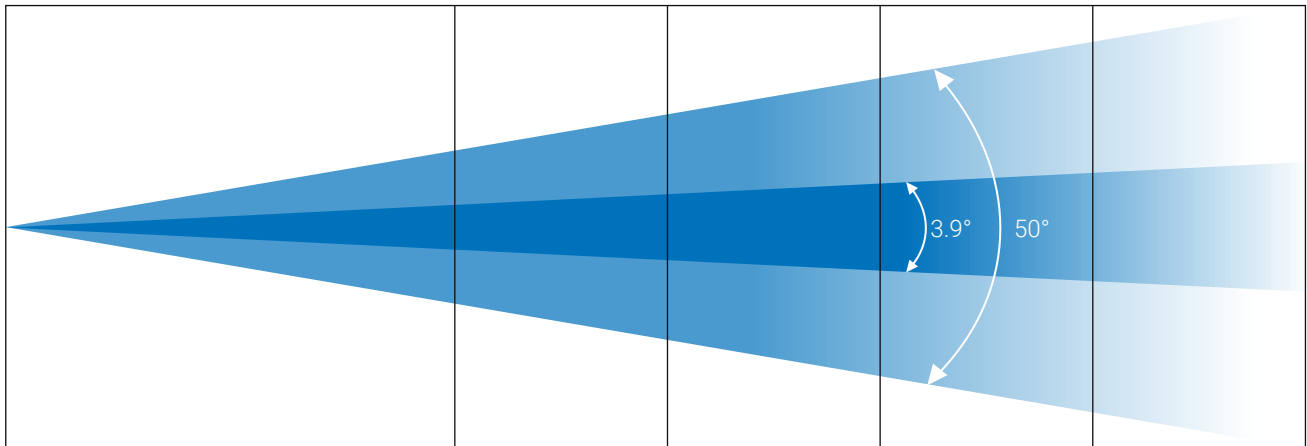
## HANGING DIMENSIONS



## PHOTOMETRIC

### Auto Mode

Distance m (ft)                      5 (16.4)                      10 (32.8)                      15 (49.2)                      20 (65.6)                      50 (164)



3.9° Lux	125,000	29,500	13,200	7,500	1,200
Diameter m (ft)	0.4 (1.3)	0.7 (2.3)	1.1 (3.6)	1.4 (4.6)	3.5 (11.5)
50° Lux	1,300	450	200	115	25
Diameter m (ft)	4.6 (15.1)	9.3 (30.5)	13.9 (45.6)	18.6 (61)	46.6 (152.9)

Foshan YiFeng Electric Industrial Co.,Ltd.

No.898, Gaoming Avenue East, Hecheng Blvd, Gaoming District, Foshan, Guangdong, China.

Web: [www.acmelighting.com](http://www.acmelighting.com) Email: [sales@acmelighting.com](mailto:sales@acmelighting.com)

All rights reserved by Acme®. Features, specifications and appearance are subject to change without notice.

REV: 23/04/2026

**Acme®**

# SANA PROFILE

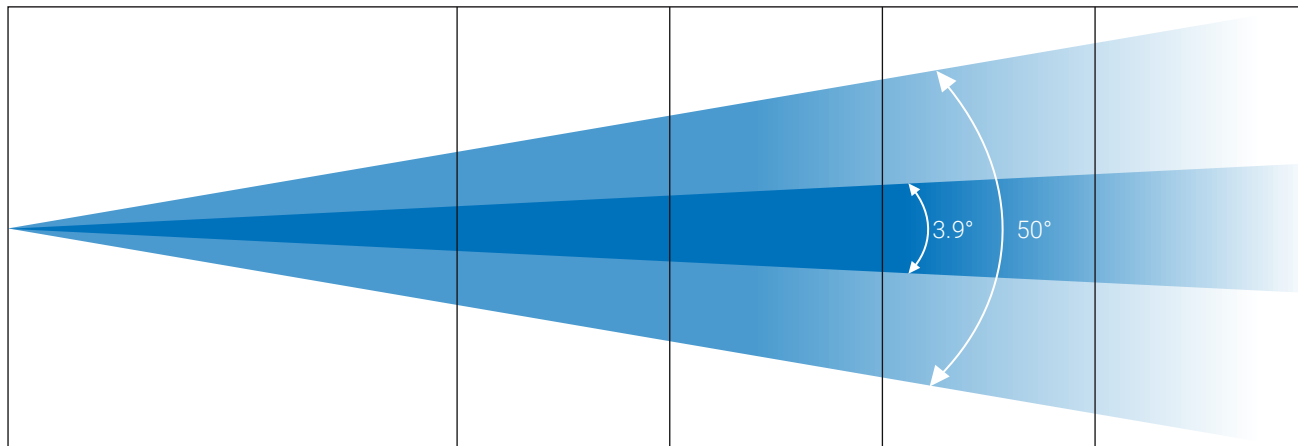
Compact Power, Unlimited Creativity

**SPEC SHEET**

## PHOTOMETRIC

### Quiet Mode

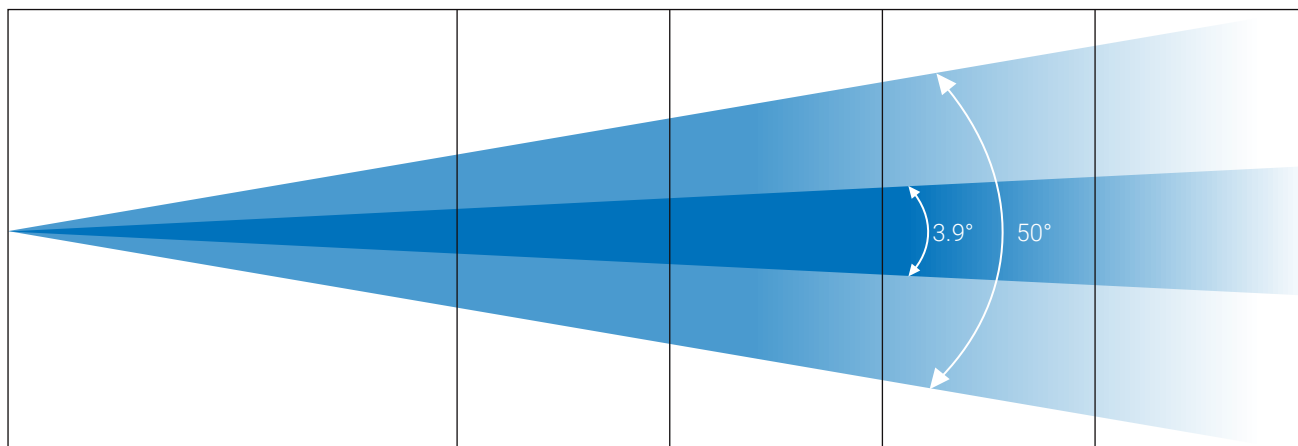
Distance m (ft)                      5 (16.4)                      10 (32.8)                      15 (49.2)                      20 (65.6)                      50 (164)



3.9° Lux	88,000	22,000	9,800	5,600	900
Diameter m (ft)	0.4 (1.3)	0.7 (2.3)	1.1 (3.6)	1.4 (4.6)	3.5 (11.5)
50° Lux	960	310	140	80	15
Diameter m (ft)	4.6 (15.1)	9.3 (30.5)	13.9 (45.6)	18.6 (61)	46.6 (152.9)

### Super Quiet Mode

Distance m (ft)                      5 (16.4)                      10 (32.8)                      15 (49.2)                      20 (65.6)                      50 (164)



3.9° Lux	65,000	16,100	7,200	4,050	650
Diameter m (ft)	0.4 (1.3)	0.7 (2.3)	1.1 (3.6)	1.4 (4.6)	3.5 (11.5)
50° Lux	720	230	105	60	10
Diameter m (ft)	4.6 (15.1)	9.3 (30.5)	13.9 (45.6)	18.6 (61)	46.6 (152.9)

# SANA PROFILE

Compact Power, Unlimited Creativity

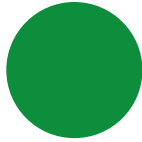
**SPEC SHEET**

## DYNAMIC EFFECTS

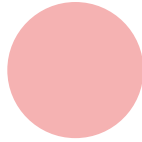
### Color Wheel



Red Slot 1



Green Slot 2



Pink Slot 3



Orange Slot 4



Blue Slot 5

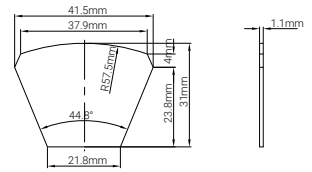


CRI Slot 6



CTB Slot 7

› Dimension:



### Static Gobo Wheel



Slot 1



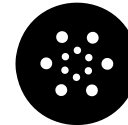
Slot 2



Slot 3



Slot 4



Slot 5



Slot 6



Slot 7

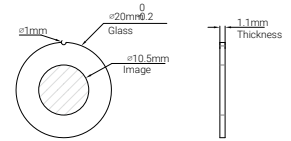


Slot 8



Slot 9

› Dimension:



› Material: Borofloat Glass

### Roating Gobo Wheel



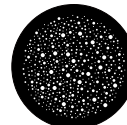
Slot 1



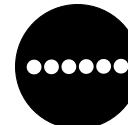
Slot 2



Slot 3



Slot 4



Slot 5

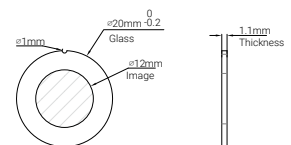


Slot 6



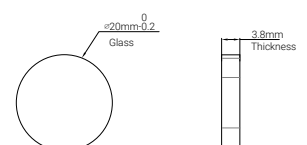
Slot 7

› Slot 1-6 Dimension:



› Material: Borofloat Glass

› Slot 7 Dimension:



› Material: Borosilicate Glass

Foshan YiFeng Electric Industrial Co.,Ltd.

No.898, Gaoming Avenue East, Hecheng Blvd, Gaoming District, Foshan, Guangdong, China.

Web: www.acmelighting.com Email: sales@acmelighting.com

All rights reserved by Acme®. Features, specifications and appearance are subject to change without notice.

REV: 23/04/2026

# SANA PROFILE

Compact Power, Unlimited Creativity

SPEC SHEET

## DYNAMIC EFFECTS

### Linear CMY Color Mixing



### Linear CTO Color Correction



2,700K-7,000K

### Framing/Iris

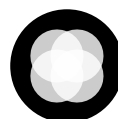


Framing Module

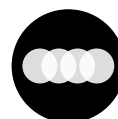


Linear Iris

### Prism/Frost Filter



1 x 4-Facet Circular Prism



1 x 4-Facet Linear Prism

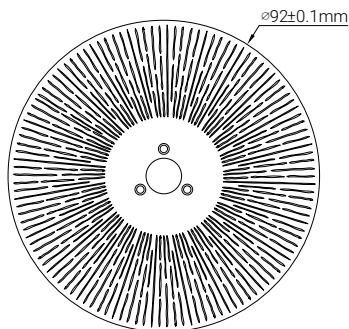


1 Light Frost Filter



1 Medium Frost Filter

### Animation Wheel



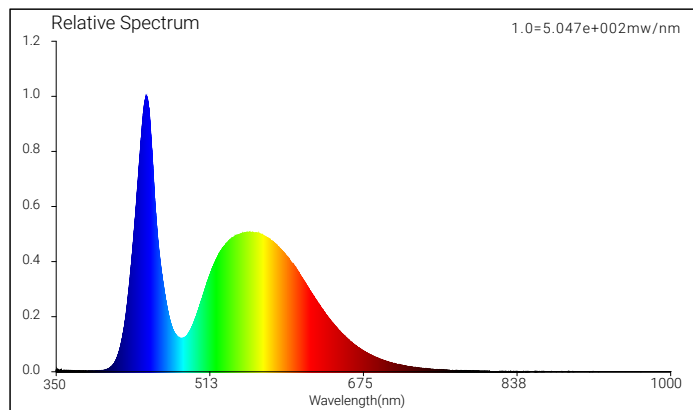
# SANA PROFILE

Compact Power, Unlimited Creativity

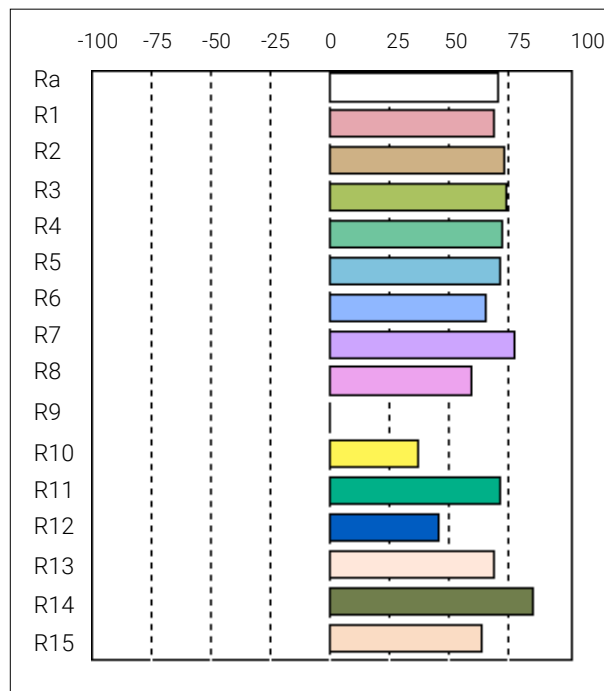
**SPEC SHEET**

## PHOTOMETRIC REPORT – CHROMATICITY

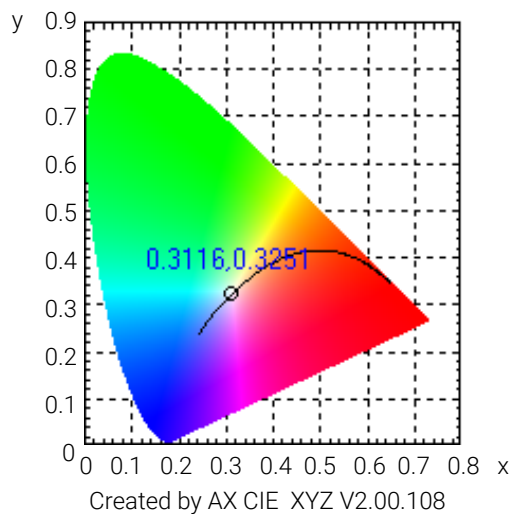
### Spectral Distribution



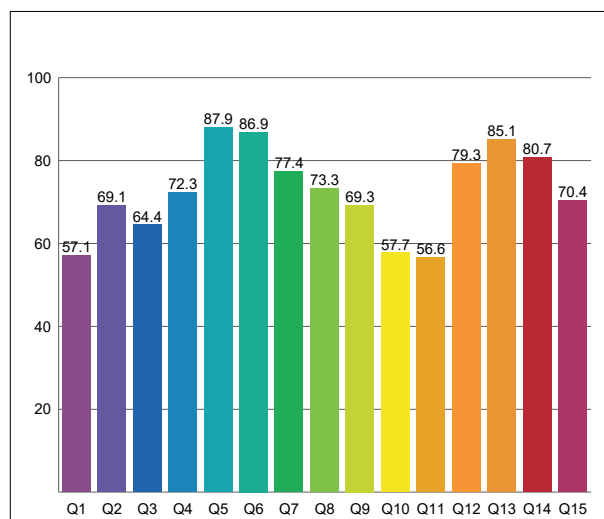
### CRI: 71.7 (R1-R8)



### CIE 1931 EVERFINE



### CQS: 73.6 (Q1-Q8)



#### CRI C Values

C1	C2	C3	C4	C5	C6	C7	C8	C9	C10	C11	C12	C13	C14	C15	C16
70.4	74.2	75.8	73.9	72.5	66.4	79.1	61.1	0.0	37.9	72.9	46.7	70.0	86.3	65.4	71.7

#### TM30 R Values

R1	R2	R3	R4	R5	R6	R7	R8	R9	R10	R11	R12	R13	R14	R15
70.4	74.2	75.8	73.9	72.5	66.4	79.1	61.1	0.0	37.9	72.9	46.7	70.0	86.3	65.4

#### CQS Q Values

Q1	Q2	Q3	Q4	Q5	Q6	Q7	Q8	Q9	Q10	Q11	Q12	Q13	Q14	Q15
57.1	69.1	64.4	72.3	87.9	86.9	77.4	73.3	69.3	57.7	56.6	79.3	85.1	80.7	70.4

#### Colour Parameters

Color temperature	Color rendering index	Color fidelity	Color gamut	Color quality scale	Color coordinate cie 1931	Color coordinate cie 1931	Color coordinate	Color coordinate	Color deviation from black body
CCT	CRI	TM30 Rf	TM30 Rg	CQS	x	y	u	v	$\Delta uv$
6,599 K	71.7	73	93	73.6	0.3116	0.3251	0.1985	0.4660	0.0017

Foshan YiFeng Electric Industrial Co.,Ltd.

No.898, Gaoming Avenue East, Hecheng Blvd, Gaoming District, Foshan, Guangdong, China.

Web: www.acmelighting.com Email: sales@acmelighting.com

All rights reserved by Acme®. Features, specifications and appearance are subject to change without notice.

REV: 23/04/2026



# SANA PROFILE

Compact Power, Unlimited Creativity

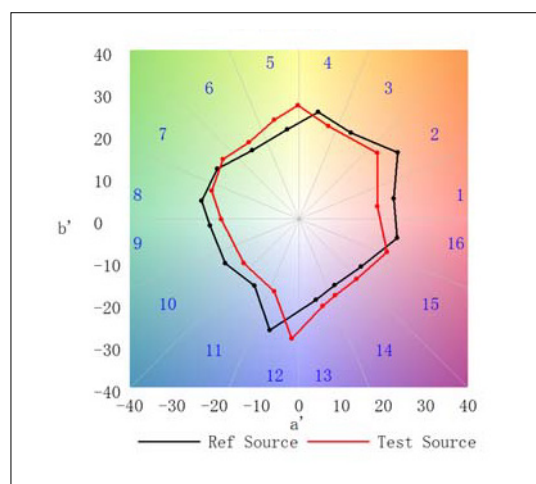
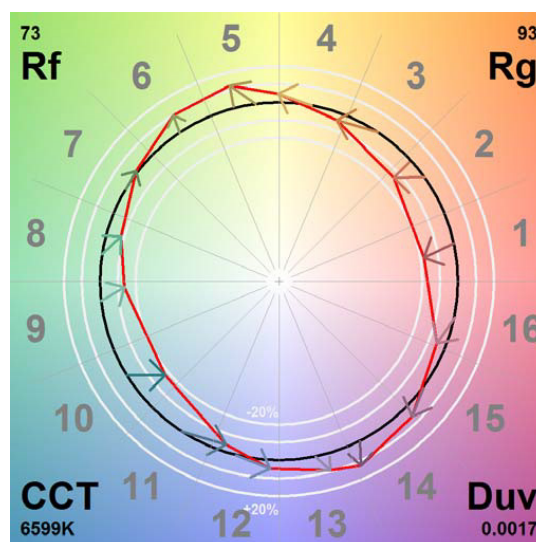
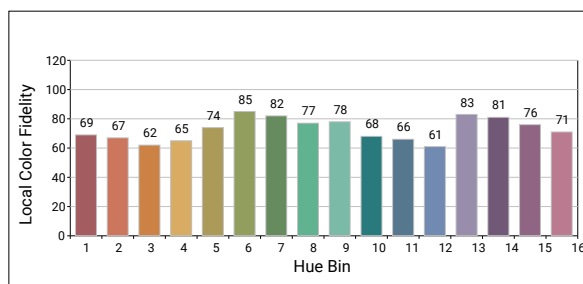
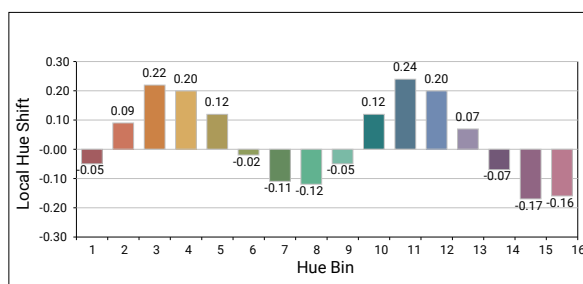
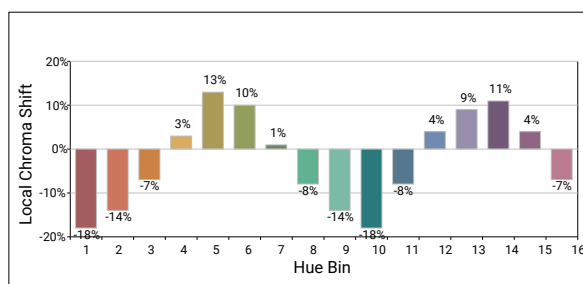
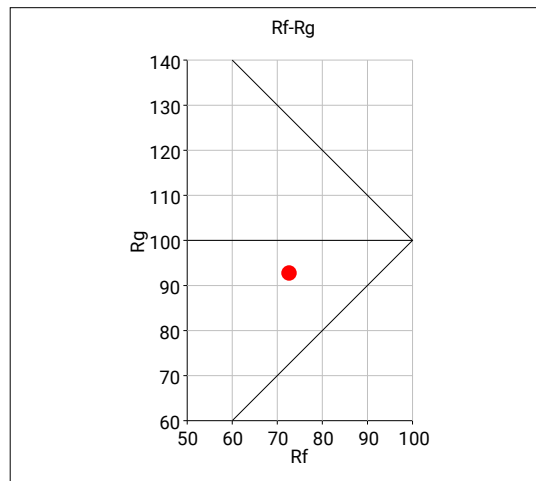
SPEC SHEET

## PHOTOMETRIC REPORT – TM-30

TM-30 Rf (IES TM-30-15 Fidelity Index): 73

TM-30 Rg (IES TM-30-15 Fidelity Index): 93

Hue Bin	Hue Angle	Graphic shift(%)		
		Rf	Chroma	Hue
1	0.0° – 22.5°	69	-18	-5
2	22.5° – 45.0°	67	-14	9
3	45.0° – 67.5°	62	-7	22
4	67.5° – 90.0°	65	3	20
5	90.0° – 112.5°	74	13	12
6	112.5° – 135.0°	85	10	-2
7	135.0° – 157.5°	82	1	-11
8	157.5° – 180.0°	77	-8	-12
9	180.0° – 202.5°	78	-14	-5
10	202.5° – 225.0°	68	-18	12
11	225.0° – 247.5°	66	-8	24
12	247.5° – 270.0°	61	4	20
13	270.0° – 292.5°	83	9	7
14	292.5° – 315.0°	81	11	-7
15	315.0° – 337.5°	76	4	-17
16	337.5° – 360.0°	71	-7	-16



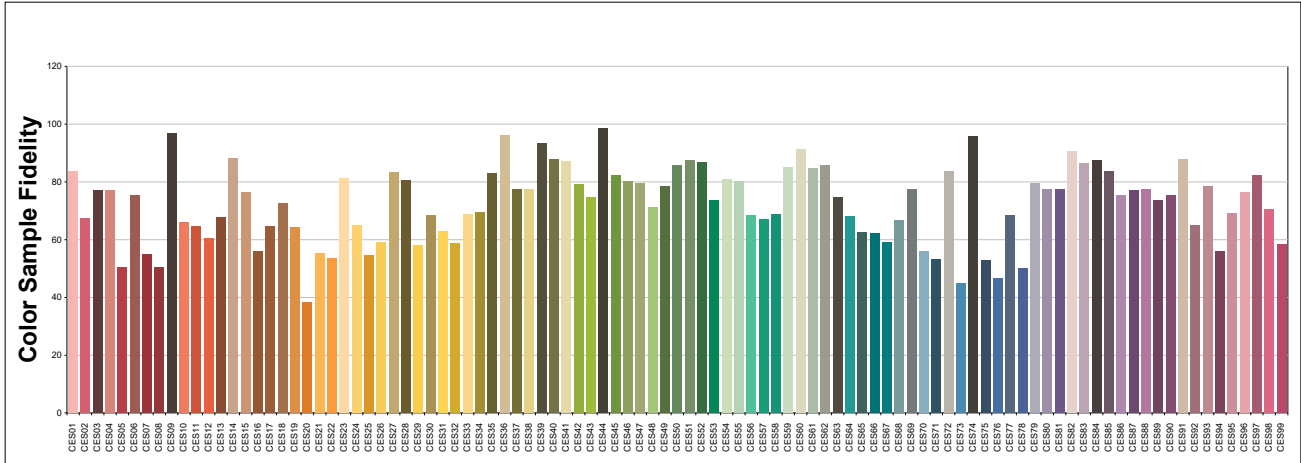
# SANA PROFILE

Compact Power, Unlimited Creativity

**SPEC SHEET**

## PHOTOMETRIC REPORT – TM-30

### Color Evaluation Sample



## PHOTOMETRIC REPORT – TLCI-48

### Color Evaluation Sample



Sector	Lightness	Chroma	Hue
R	5	3	2
R/Y	1	1	-5
Y	-2	-2	-6
Y/G	-2	-3	0
G	-2	2	3
G/C	1	0	5
C	2	1	1
C/B	4	1	-3
B	1	-3	-3
B/M	2	-3	6
M	5	-1	8
M/R	5	1	5