

SANA BEAM

Beyond the Bulb, A New Chapter Powered by LED.

SPEC SHEET



Foshan YiFeng Electric Industrial Co.,Ltd.

No.898, Gaoming Avenue East, Hecheng Blvd, Gaoming District, Foshan, Guangdong, China.

Web: www.acmelighting.com Email: sales@acmelighting.com

All rights reserved by Acme®. Features, specifications and appearance are subject to change without notice.

REV: 27/04/2026

Acme®

SANA BEAM

Beyond the Bulb, A New Chapter Powered by LED.

SPEC SHEET

FIXTURE OVERVIEW

- The ACME **SANA BEAM** marks the beginning of the SANA series and sets a new standard in IP66-rated LED beam moving heads. Lightweight yet powerful, the fixture delivers razor-sharp beams, precise control, and infinite motion in a compact design.
- Powered by a 330W LED engine, the **SANA BEAM** delivers a dazzling 5,500 lumens of output, projecting intense beams through a large 180 mm frontal lens for unmatched clarity and impact. With an impressive zoom range of 1.9° to 8°, it delivers razor-sharp beams that endlessly cut through the air for a dramatic visual impact.
- Its infinite pan and tilt offer fluid motion for bold mid-air visuals, breaking free of conventional movement limits. The fixture features two color wheels (6 colors each), a variable CTO, and linear CMY color mixing, unlocking vivid, expressive palettes suited for any atmosphere.
- Effect creativity expands further with a static gobo wheel featuring 17 gobos, and two prisms for multi-layered effects. A frost filter transforms sharp, focused beams into uniform washes, providing versatile lighting options for any environment. Designed for high efficiency, the fixture comes with integrated NFC functionality for quick and easy fixture setup and management.
- Weighing just 23.8 kg (52.5 lbs), the **SANA BEAM** delivers uncompromising performance in a lightweight package, empowering lighting designers with the freedom to create without limits.



FEATURE HIGHLIGHTS

- LED engine comprised of 330W LED
- 180 mm diameter frontal lens
- Zoom Range: 1.9°-8°
- Light Engine Luminous Output: 9,600 lumens
- Fixture Luminous Output:
 - Auto Mode: 5,500 lumens
 - Quiet Mode: 4,700 lumens
 - Super Quiet Mode: 3,900 lumens
- Color Temperature Output of Fixture: 7,000K
- Standard Mode: Ra≥66
- Linear CMY color mixing
- Variable CTO ranging from 2,700K-10,000K
- 2 Color Wheels:
 - Color Wheel 1: 6 colors, plus open
 - Color Wheel 2: 6 colors, plus open
- 1 Static Gobo Wheel: 17 gobos, plus open2
- Prisms:
 - 1 x 8-facet circular prism and 1 x 6-facet linear prism, rotatable and overlayable in both directions
- 1 frost filter
- Outstanding strobe effect with variable speed
- With NFC functionality, the fixture allows quick and easy setup and management
- Motorized focus system
- Motorized zoom system
- Flicker-free management
- IP66 rated

Foshan YiFeng Electric Industrial Co.,Ltd.

No.898, Gaoming Avenue East, Hecheng Blvd, Gaoming District, Foshan, Guangdong, China.

Web: www.acmelighting.com Email: sales@acmelighting.com

All rights reserved by Acme®. Features, specifications and appearance are subject to change without notice.

REV: 27/04/2026

Acme®

SANA BEAM

Beyond the Bulb, A New Chapter Powered by LED.

SPEC SHEET

TECHNICAL SPECIFICATIONS

Model

- Model Name: SANA BEAM
- Model Code: XA 300 BEAM IP

Light Source

- Light Source: 330W LED engine
- Color Temperature Output of Fixture: 7,000K
- Life Expectancy: 20,000 hours*
- *Source manufacturer specification

Photometric Data

- Light Engine Luminous Output: 9,600 lumens
- Fixture Luminous Output:
 - Auto Mode: 5,500 lumens
 - Quiet Mode: 4,700 lumens
 - Super Quiet Mode: 3,900 lumens
- CCT: 7,000K (+/- 200K)
- Ra≥66 (Standard Mode)
- TM-30 Rf (IES TM-30-15 Fidelity Index): 69
- TM-30 Rg (IES TM-30-15 Fidelity Index): 91
- TLCL: 42
- Peak Luminous Intensity: 5,690,000 cd

Optical System

- Diameter of Frontal Lens: 180 mm
- Zoom Range: 1.9°-8°

Control & Program

- 4 touch button control panel
- Display: LCD display
- Protocols: DMX, RDM, Art-Net, sACN, NFC
- Setting and Addressing: Display menu, RDM
- DMX Modes: 4
- DMX Channels: 16/27/27/29
- Firmware Upgrade: Upgrade via DMX link or USB stick

Pan & Tilt

- Pan: Infinity
- Tilt: Infinity
- Automatic Pan/Tilt position correction
- Resolution: 16 bit
- Pan/Tilt lock

Color Mixing

- Linear CMY color mixing

Color Correction

- Linear CTO Color Correction: 2,700K-10,000K

Color Wheel

- 2 Color Wheels:
 - Color Wheel 1: 6 colors, plus open
 - Color Wheel 2: 6 colors, plus open

Static Gobo Wheel

- 1 Static Gobo Wheel:
 - 17 gobos, plus open
- Gobo Dimensions
 - External Diameter: 113 mm (4.5")
- Coating: Black high-temperature coating
- Material: Aluminum sheet

Frost

- 1 frost filter

Focus

- Motorized focus system

Zoom

- Motorized zoom system

Prism

- 2 Prisms:
 - 1 x 8-facet circular prism and 1 x 6-facet linear prism, rotatable and overlayable in both directions

Electrical

- Input Voltage Range: 100-240Vac; 50/60Hz
- Power Consumption: 465W
- Power In/Out: Waterproof power connector in/out
- Data In/Out: 3-pin or 5-pin waterproof XLR, waterproof RJ45 connector

SANA BEAM

Beyond the Bulb, A New Chapter Powered by LED.

SPEC SHEET

TECHNICAL SPECIFICATIONS

Physical

- Weight: 23.8 kg (52.5 lbs)
- Length (Head): 412 mm (16.2")
- Length (Base): 332 mm (13.1")
- Width (Across Yoke): 319 mm(12.6")
- Height (Head Up): 567 mm (22.3")

Construction

- Housing: Magnesium alloy
- Color: Black
- Protection Rating: IP66

Work Environment

- Maximum Ambient Temperature: 45°C
- Minimum Operating Temperature: -20°C
- Maximum Surface Temperature: 75°C

Acoustic Data

- Noise Level:
 - Auto Mode: 48 dB(A) @ 1 m
 - Quiet Mode: 43 dB(A) @ 1 m
 - Super Quiet Mode: 38 dB(A) @ 1 m

Installation

- Universal working position
- 2 omega brackets
- Safety cable attachment point

Approvals

- CE compliant
 - EMC directive 2014/30/EU
 - LVD directive 2014/35/EU
- UKCA compliant
 - Electromagnetic Compatibility Regulations 2016
 - Electrical Equipment (Safety) Regulations 2016
- cETLus compliant
 - UL 1573
 - CSA C22.2 #166



SANA BEAM

Beyond the Bulb, A New Chapter Powered by LED.

SPEC SHEET

INCLUDED ITEMS

Included Items

- Digital user manual
- Power cable
- 2 omega brackets(3002003003)

ORDERING INFORMATION

Optional Accessories (With Order Code)

- Flight Case:
 - Standard: Two-pack loader case (63584352)
 - North American Standard:
 - Three-pack loader case (63584379)
- Clamp: C-150B (2060001625-C)
- Signal Cable:
 - 3-pin waterproof signal cable (3017013468) or
 - 5-pin waterproof signal cable (3017013473)
- Safety Cable: SW-05 (2060001603-E)

Carton Dimensions

- Width: 550 mm (21.7")
- Depth: 455 mm (17.9")
- Height: 665 mm (26.2")
- Weight:
 - G.W.: 30 kg (66.1 lbs) (one-pack loader carton)



C-150B: 2060001625-C



3-pin/5-pin waterproof
signal cable: 3017013468/3017013473



SW-05: 2060001603-E



Standard(Two-pack loader
case): 63584352

Foshan YiFeng Electric Industrial Co.,Ltd.

No.898, Gaoming Avenue East, Hecheng Blvd, Gaoming District, Foshan, Guangdong, China.

Web: www.acmelighting.com Email: sales@acmelighting.com

All rights reserved by Acme®. Features, specifications and appearance are subject to change without notice.

REV: 27/04/2026

Acme®

SANA BEAM

Beyond the Bulb, A New Chapter Powered by LED.

SPEC SHEET

(STANDARD) FLIGHT CASE

APPLICABLE MODELS

- SANA BEAM (XA 300 BEAM IP)
- SANA PROFILE (XA 300 BSWF IP)

ORDER CODE

- 63584352 SANA BEAM (XA 300 BEAM IP)
- 63584353 SANA PROFILE (XA 300 BSWF IP)

CASE WEIGHT

- 46 kg (101.4 lbs)

MEAS

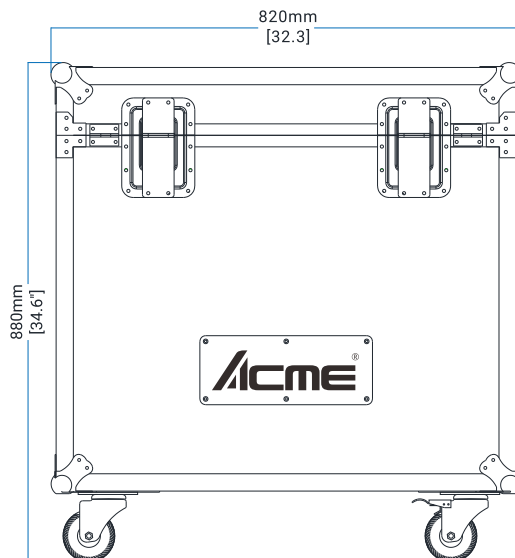
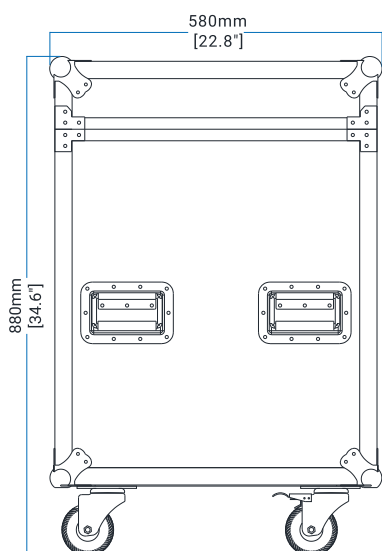
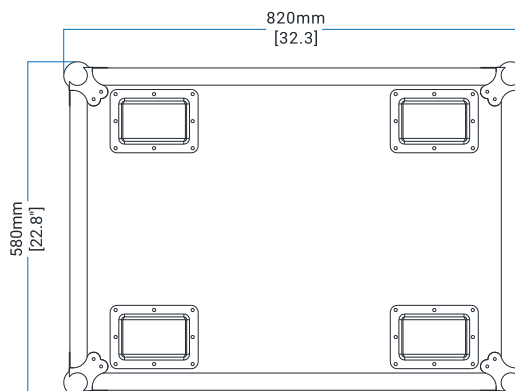
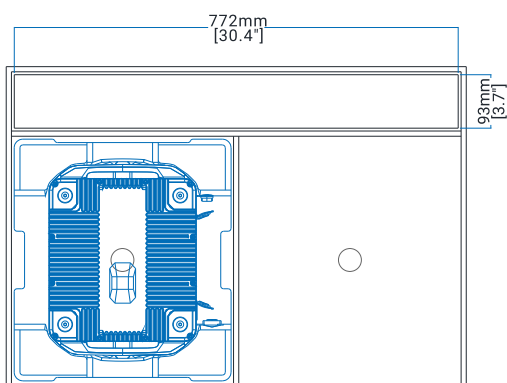
- 820 x 580 x 880 mm (32.3" x 22.8" x 34.6")

LOADING Q'TY

- Two-pack loader case

MAXIMUM STACKING

- 2 stacks



ACASE by ACME Version: 20260126-A

Foshan YiFeng Electric Industrial Co.,Ltd.

No.898, Gaoming Avenue East, Hecheng Blvd, Gaoming District, Foshan, Guangdong, China.

Web: www.acmelighting.com Email: sales@acmelighting.com

All rights reserved by Acme®. Features, specifications and appearance are subject to change without notice.

REV: 27/04/2026

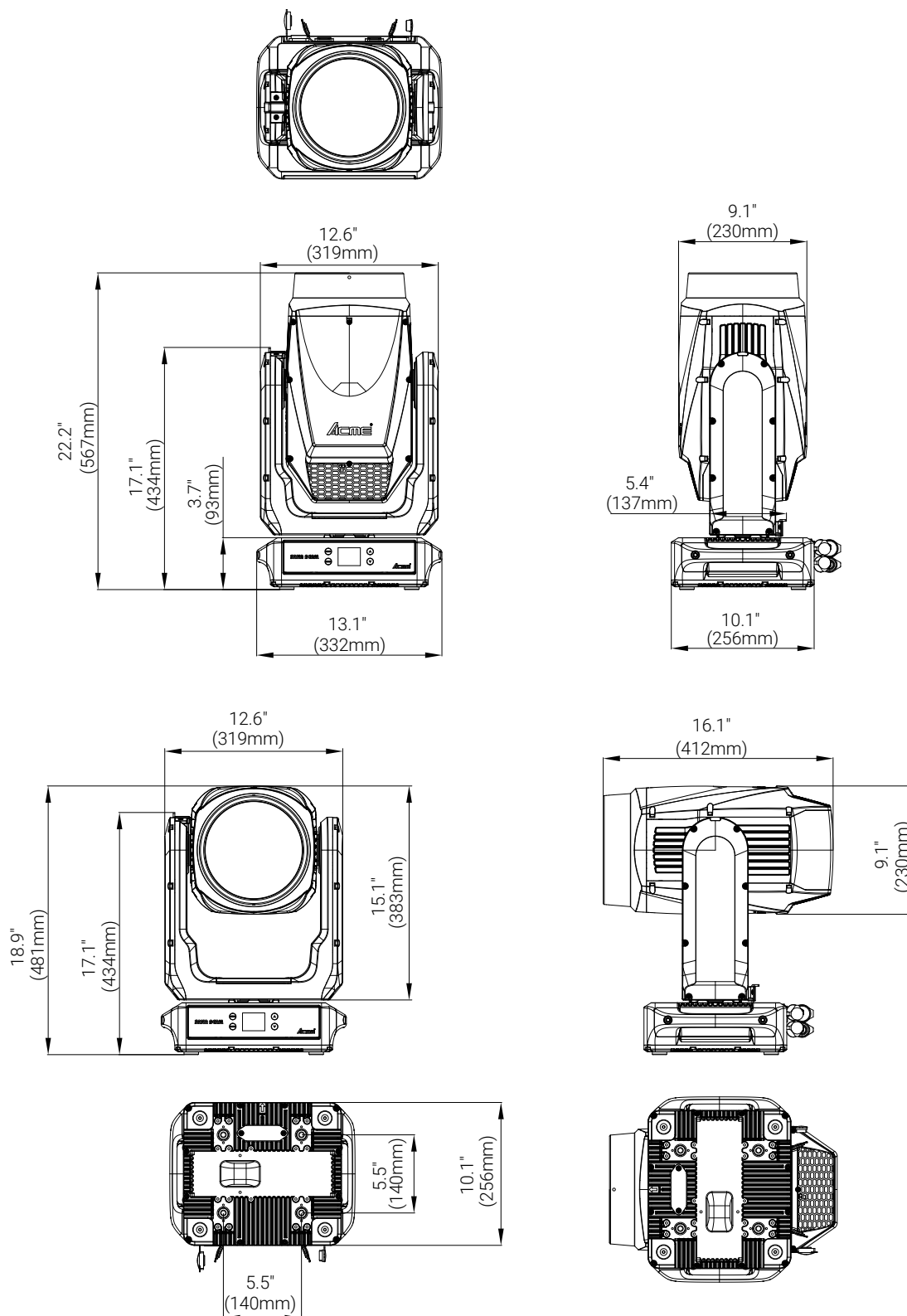
ACME®

SANA BEAM

Beyond the Bulb, A New Chapter Powered by LED.

SPEC SHEET

DIMENSIONS



Foshan YiFeng Electric Industrial Co.,Ltd.

No.898, Gaoming Avenue East, Hecheng Blvd, Gaoming District, Foshan, Guangdong, China.

Web: www.acmelighting.com Email: sales@acmelighting.com

All rights reserved by Acme®. Features, specifications and appearance are subject to change without notice.

REV: 27/04/2026

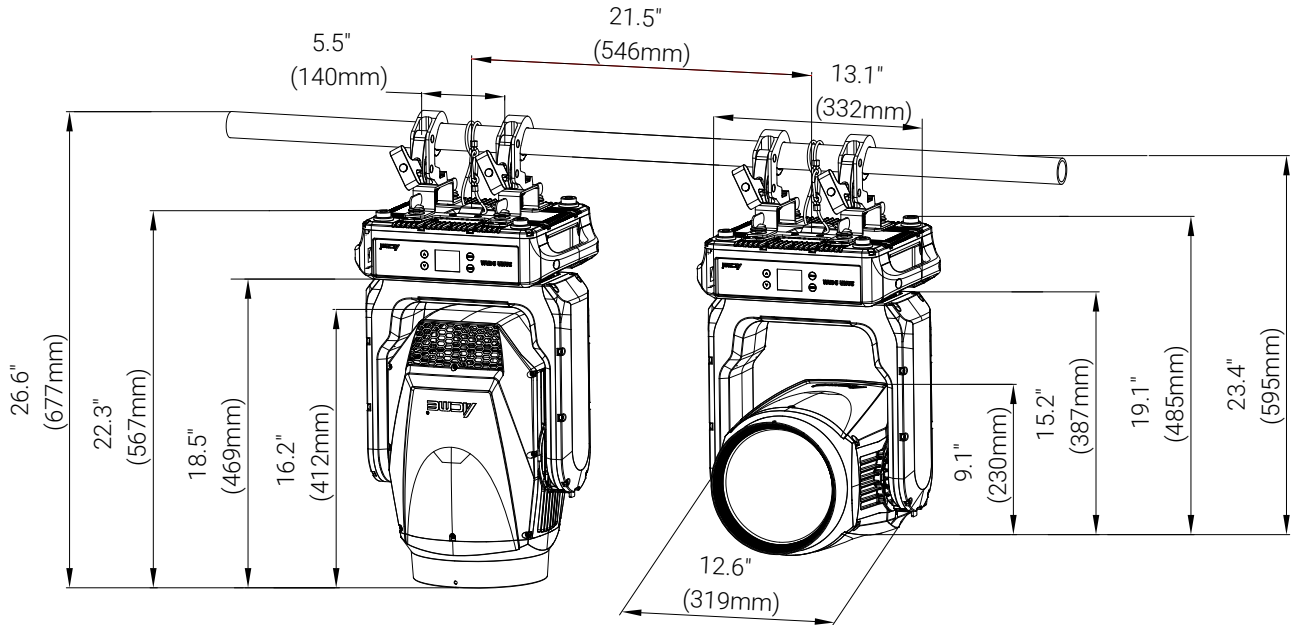
Acme®

SANA BEAM

Beyond the Bulb, A New Chapter Powered by LED.

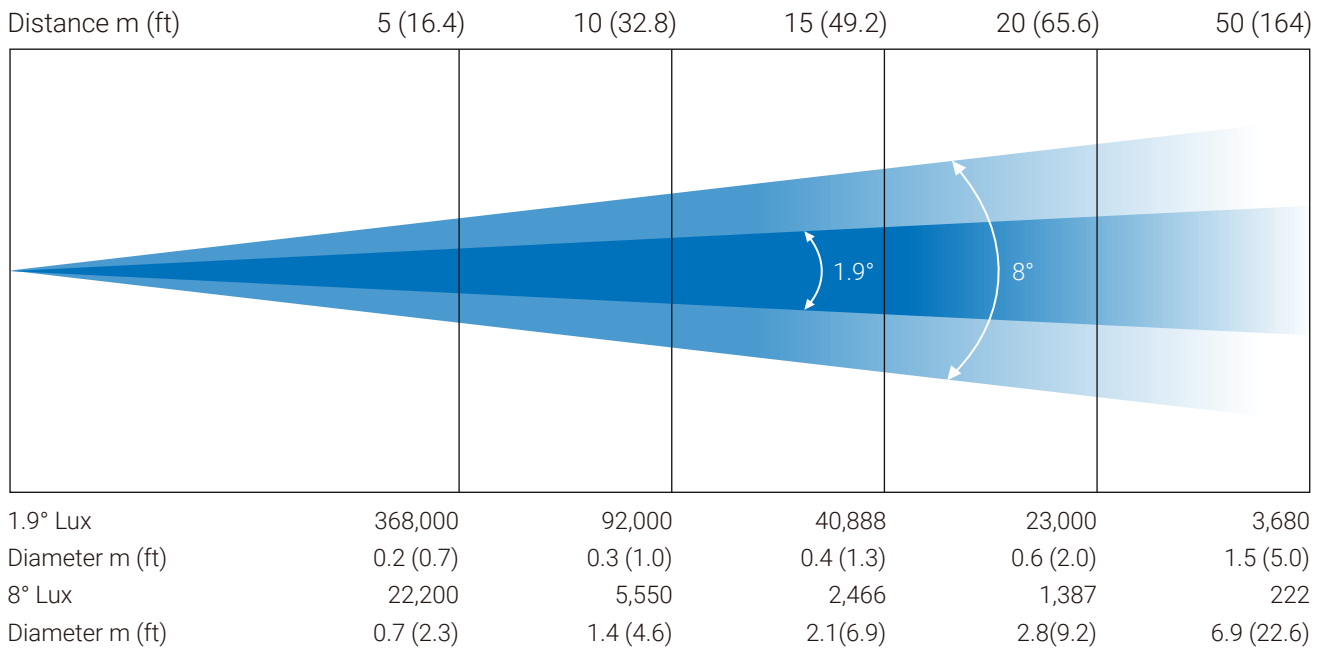
SPEC SHEET

HANGING DIMENSIONS



PHOTOMETRIC

Auto Mode



Foshan YiFeng Electric Industrial Co.,Ltd.

No.898, Gaoming Avenue East, Hecheng Blvd, Gaoming District, Foshan, Guangdong, China.

Web: www.acmelighting.com Email: sales@acmelighting.com

All rights reserved by Acme®. Features, specifications and appearance are subject to change without notice.

REV: 27/04/2026



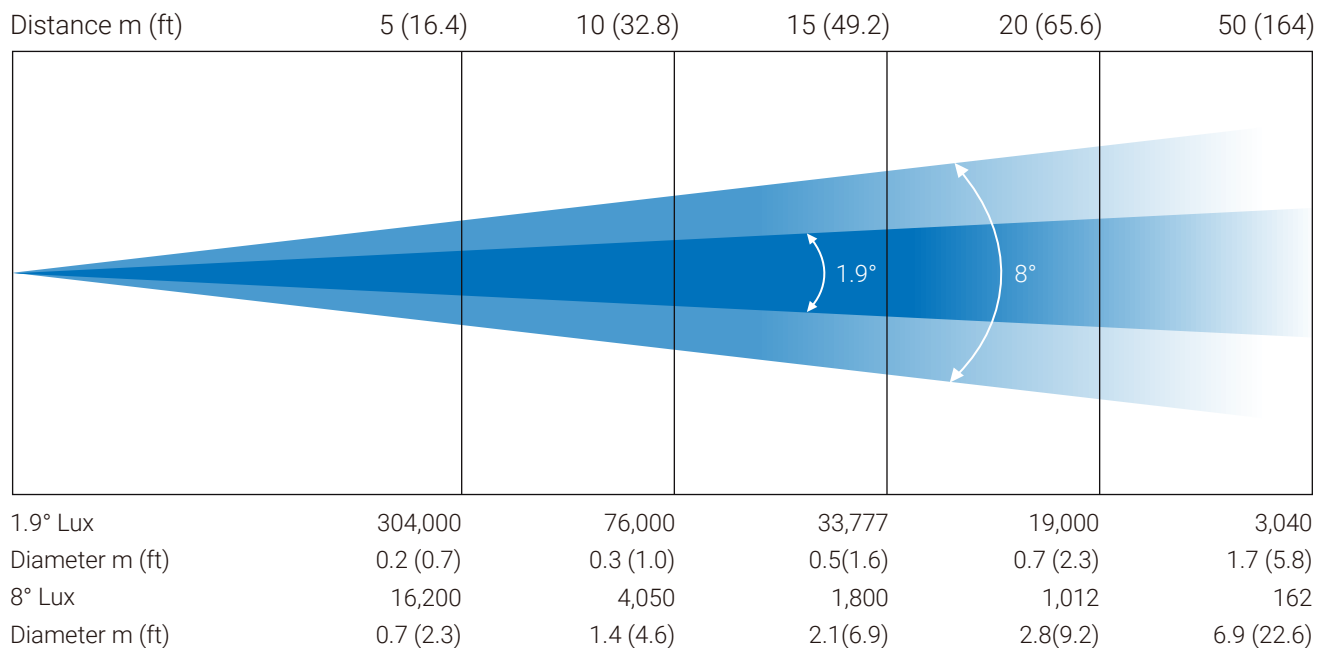
SANA BEAM

Beyond the Bulb, A New Chapter Powered by LED.

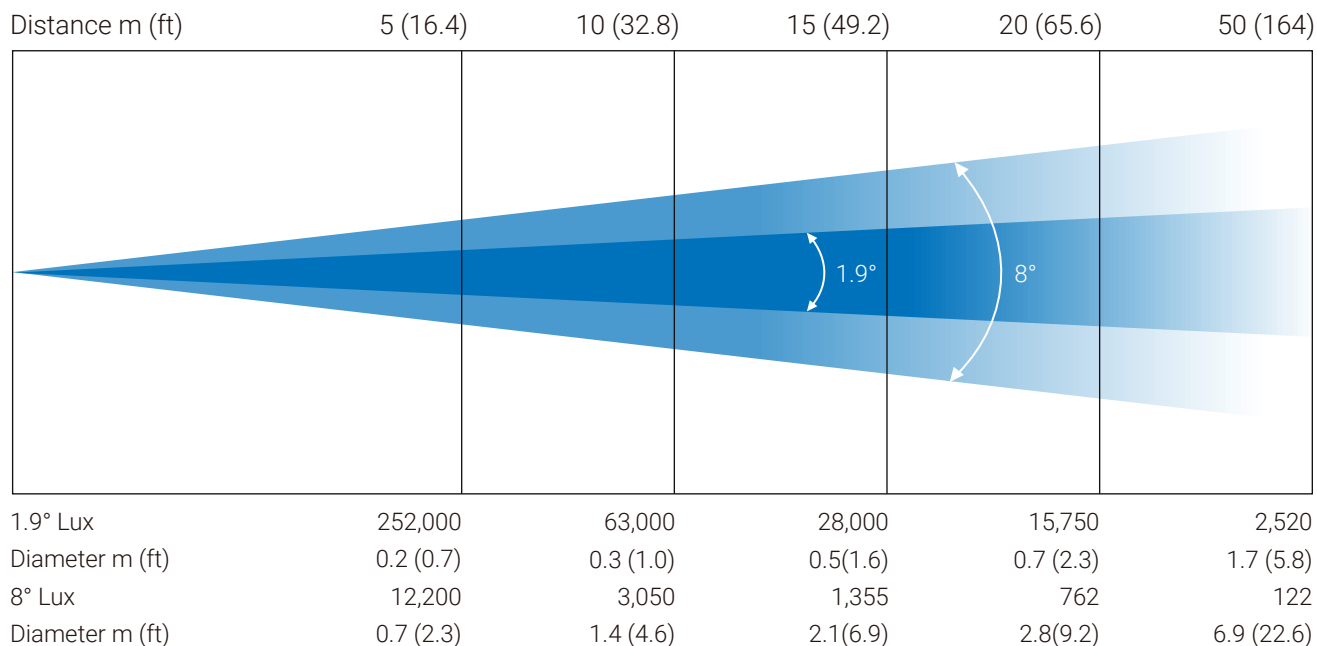
SPEC SHEET

PHOTOMETRIC

Quiet Mode



Super Quiet Mode



Foshan YiFeng Electric Industrial Co.,Ltd.

No.898, Gaoming Avenue East, Hecheng Blvd, Gaoming District, Foshan, Guangdong, China.

Web: www.acmelighting.com Email: sales@acmelighting.com

All rights reserved by Acme®. Features, specifications and appearance are subject to change without notice.

REV: 27/04/2026



SANA BEAM

Beyond the Bulb, A New Chapter Powered by LED.

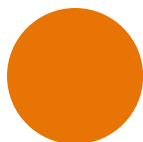
SPEC SHEET

DYNAMIC EFFECTS

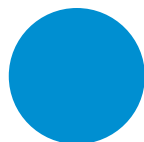
Color Wheel 1



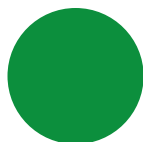
Red
Slot 1



Orange
Slot 2



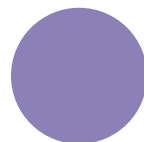
Aqua Marine
Slot 3



Green
Slot 4

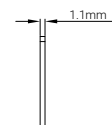
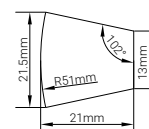


Light Green
Slot 5



Lavender
Slot 6

Dimension:



Color Wheel 2



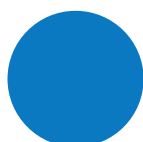
Pink
Slot 1



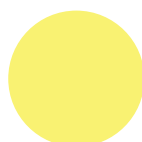
Light Yellow
Slot 2



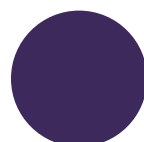
Magenta
Slot 3



Blue
Slot 4



Yellow
Slot 5



UV
Slot 6

Static Gobo Wheel



Slot 1



Slot 2



Slot 3



Slot 4



Slot 5



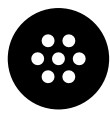
Slot 6



Slot 7



Slot 8



Slot 9



Slot 10



Slot 11



Slot 12



Slot 13



Slot 14



Slot 15

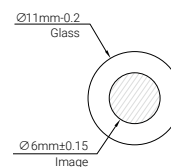


Slot 16

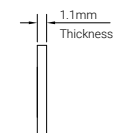


Slot 17

Dimension:



Black&White GOBO:



Material: Borofloat Glass

Linear CMY Color Mixing



Prisms/Frost Filter



1 x 8-Facet Circular Prism



1 x 6-Facet Linear Prism



1 Frost Filter

Linear CTO Color Correction



2,700K-10,000K

Foshan YiFeng Electric Industrial Co.,Ltd.

No.898, Gaoming Avenue East, Hecheng Blvd, Gaoming District, Foshan, Guangdong, China.

Web: www.acmelighting.com Email: sales@acmelighting.com

All rights reserved by Acme®. Features, specifications and appearance are subject to change without notice.

REV: 27/04/2026

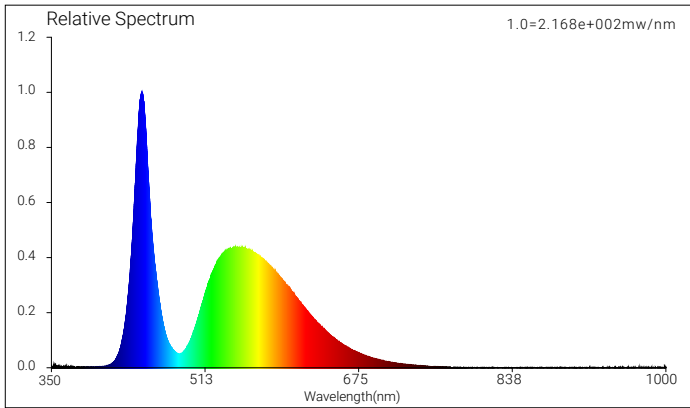
SANA BEAM

Beyond the Bulb, A New Chapter Powered by LED.

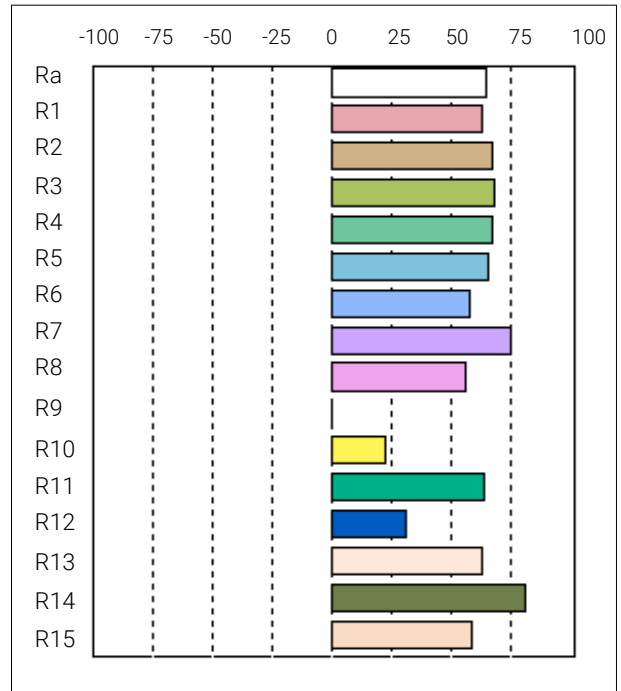
SPEC SHEET

PHOTOMETRIC REPORT – CHROMATICITY

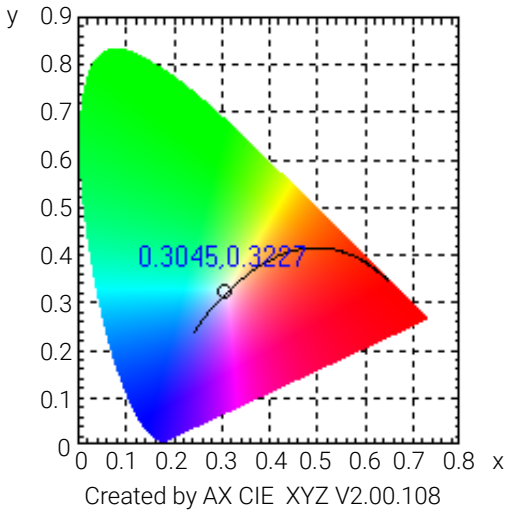
Spectral Distribution



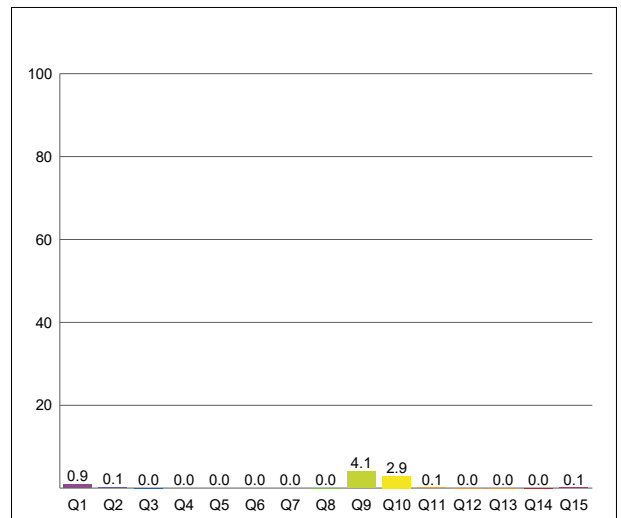
CRI: 66.2 (R1-R8)



CIE 1931 EVERFINE



CQS: 0.1 (Q1-Q8)



CRI C Values

C1	C2	C3	C4	C5	C6	C7	C8	C9	C10	C11	C12	C13	C14	C15	C16
64.4	68.7	69.5	68.3	66.4	58.7	76.6	57.3	0.0	24.1	65.4	31.9	64.0	82.7	60.2	66.2

TM30 R Values

R1	R2	R3	R4	R5	R6	R7	R8	R9	R10	R11	R12	R13	R14	R15
64.4	68.7	69.5	68.3	66.4	58.7	76.6	57.3	0.0	24.1	65.4	31.9	64.0	82.7	60.2

CQS Q Values

Q1	Q2	Q3	Q4	Q5	Q6	Q7	Q8	Q9	Q10	Q11	Q12	Q13	Q14	Q15
0.9	0.1	0.0	0.0	0.0	0.0	0.0	0.0	4.1	0.1	0.0	0.0	0.0	0.0	0.1

Colour Parameters

Color temperature	Color rendering index	Color fidelity	Color gamut	Color quality scale	Color coordinate cie 1931	Color coordinate cie 1931	Color coordinate	Color coordinate	Color deviation from black body
CCT	CRI	TM30 Rf	TM30 Rg	CQS	x	y	u	v	Δuv
7,040 K	66.2	69	91	0.1	0.3045	0.3227	0.1945	0.4637	0.0042

Foshan YiFeng Electric Industrial Co.,Ltd.

No.898, Gaoming Avenue East, Hecheng Blvd, Gaoming District, Foshan, Guangdong, China.

Web: www.acmelighting.com Email: sales@acmelighting.com

All rights reserved by Acme®. Features, specifications and appearance are subject to change without notice.

REV: 27/04/2026



SANA BEAM

Beyond the Bulb, A New Chapter Powered by LED.

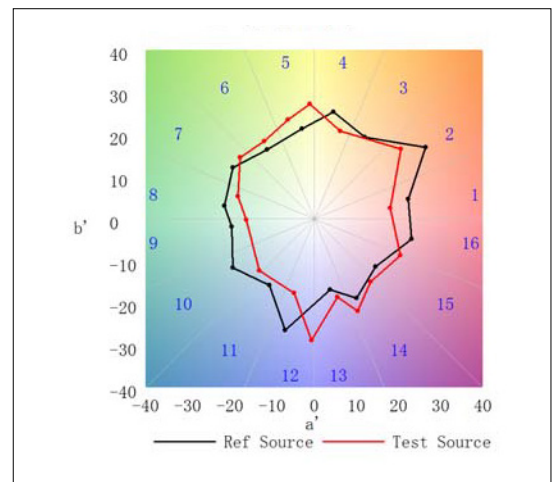
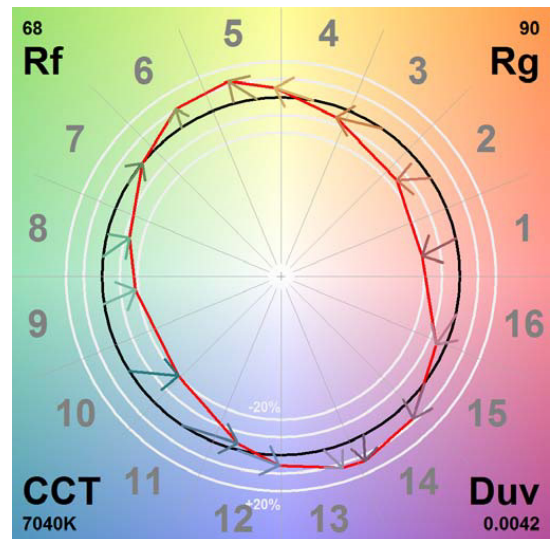
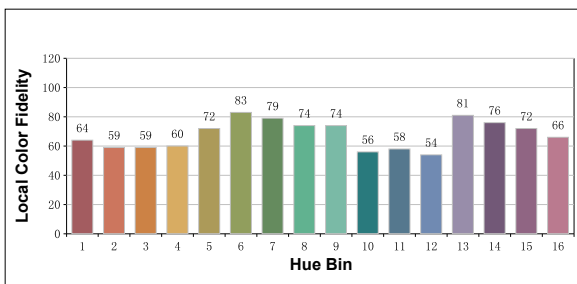
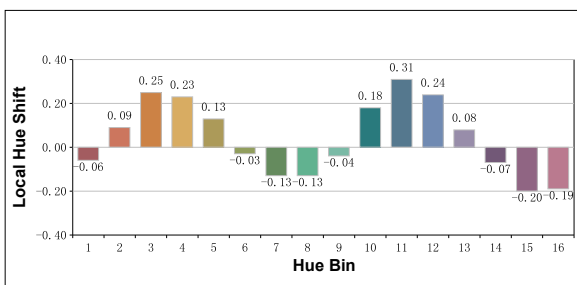
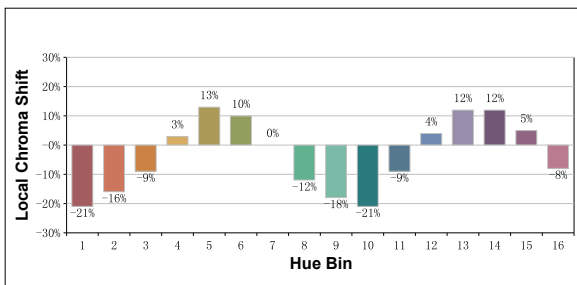
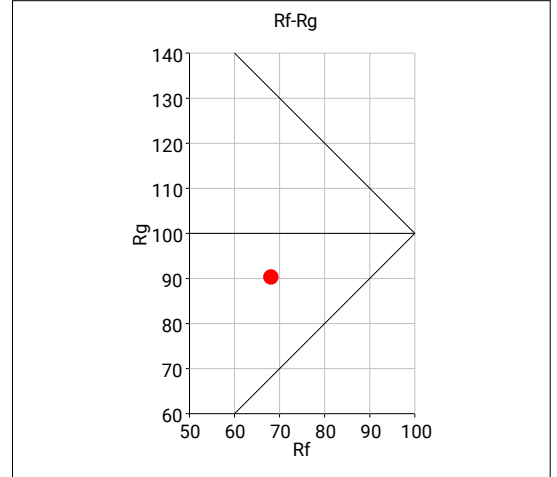
SPEC SHEET

PHOTOMETRIC REPORT – TM-30

TM-30 Rf (IES TM-30-15 Fidelity Index): 69

TM-30 Rg (IES TM-30-15 Fidelity Index): 91

Hue Bin	Hue Angle	Graphic shift(%)		
		Rf	Chroma	Hue
1	0.0° – 22.5°	64	-21	-6
2	22.5° – 45.0°	59	-16	9
3	45.0° – 67.5°	59	-9	25
4	67.5° – 90.0°	60	3	23
5	90.0° – 112.5°	72	13	13
6	112.5° – 135.0°	83	10	-3
7	135.0° – 157.5°	79	0	-13
8	157.5° – 180.0°	74	-12	-13
9	180.0° – 202.5°	74	-18	-4
10	202.5° – 225.0°	56	-21	18
11	225.0° – 247.5°	58	-9	31
12	247.5° – 270.0°	54	4	24
13	270.0° – 292.5°	81	12	8
14	292.5° – 315.0°	76	12	-7
15	315.0° – 337.5°	72	5	-20
16	337.5° – 360.0°	66	-8	-19



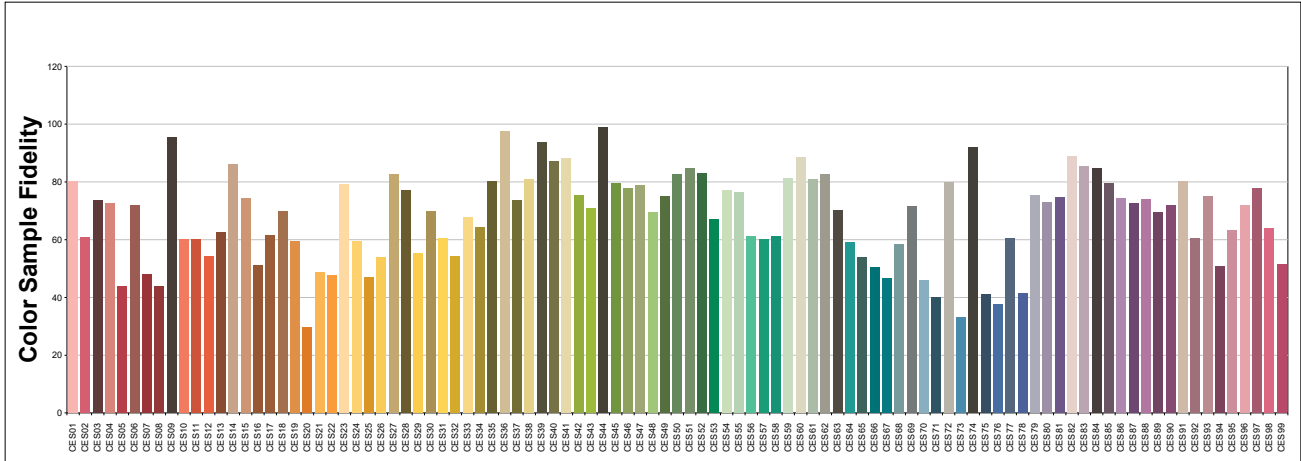
SANA BEAM

Beyond the Bulb, A New Chapter Powered by LED.

SPEC SHEET

PHOTOMETRIC REPORT – TM-30

Color Evaluation Sample



PHOTOMETRIC REPORT – TLCI-42

Color Evaluation Sample



Sector	Lightness	Chroma	Hue
R	6	4	2
R/Y	1	1	-6
Y	-2	-2	-7
Y/G	-2	-3	0
G	-3	-3	4
G/C	1	1	5
C	3	1	0
C/B	4	1	-5
B	1	-4	-5
B/M	3	-4	3
M	6	-1	9
M/R	6	1	5