

# BEAMONE PRO

*Compact Form. Built to Dominate Outdoors.*

**SPEC SHEET**



Foshan YiFeng Electric Industrial Co.,Ltd.

No.898, Gaoming Avenue East, Hecheng Blvd, Gaoming District, Foshan, Guangdong, China.

Web: [www.acmelighting.com](http://www.acmelighting.com) Email: [sales@acmelighting.com](mailto:sales@acmelighting.com)

All rights reserved by Acme®. Features, specifications and appearance are subject to change without notice.

REV: 20/05/2026 Draft Version

**Acme®**

# BEAMONE PRO

Compact Form. Built to Dominate Outdoors.

SPEC SHEET

## FIXTURE OVERVIEW

- The ACME **BEAMONE PRO** moving beam is engineered for outdoor productions demanding extreme punch, long-throw performance, and uncompromising all-weather reliability. Combining the raw aerial intensity of a discharge lamp with low-maintenance performance, it delivers striking visual presence for concerts, festivals, and outdoor events.
- Fitted with a PHILIPS MSD Infinity 12X light source, the fixture delivers highly stable output and a crisp 7,400K color temperature. Designed for long-term operation, it offers an 8,000-hour lamp life expectancy, significantly reducing maintenance demands. Paired with a 152 mm frontal lens, the fixture produces an ultra-narrow 2° beam capable of reaching an outstanding 1,952,000 lux at 5 meters, creating razor-sharp aerial effects across large-scale stages.
- Creative flexibility is expanded through a CMY mixing system and variable CTO, enabling smooth transitions and refined tonal control. The fixture also features a 14-color wheel, a static gobo wheel with 10 gobos and 3 effect gobos, and a frost filter for softened edges.
- For layered aerial looks, the fixture boasts a 6-linear prism and an 8-facet circular prism, delivering richer textures and enhanced visual depth beyond what a single prism can achieve.
- Built within a rugged IP66-rated housing, the fixture keeps the show going through rain, humidity, and dust. Despite its compact form factor, the **BEAMONE PRO** delivers maximum visual impact with minimizing maintenance demands.



## FEATURE HIGHLIGHTS

- Light Source: PHILIPS MSD Infinity 12 X
- 152 mm diameter frontal lens
- Beam Angle: 2°
- Fixture Luminous Output: 8,500 lumens
- Color Temperature Output of Fixture: 7,400K
- Linear CMY color mixing
- Variable CTO ranging from 2,800K-6,800K
- 1 Color Wheel: 14 colors, plus open
- 1 Static Gobo Wheel: 10 gobos and 3 effect gobos, plus open
- 1 x 8-facet circular prism, 1 x 6-facet linear prism, rotatable in both directions
- 1 frost filter
- Motorized focus
- Outstanding strobe effect with variable speed
- Smooth dimming 0-100% (4 user selectable dimming curves)
- IP66 rated

Foshan YiFeng Electric Industrial Co.,Ltd.

No.898, Gaoming Avenue East, Hecheng Blvd, Gaoming District, Foshan, Guangdong, China.

Web: [www.acmelighting.com](http://www.acmelighting.com) Email: [sales@acmelighting.com](mailto:sales@acmelighting.com)

All rights reserved by Acme®. Features, specifications and appearance are subject to change without notice.

REV: 20/05/2026 Draft Version

**Acme**®

# BEAMONE PRO

Compact Form. Built to Dominate Outdoors.

**SPEC SHEET**

## TECHNICAL SPECIFICATIONS

### Model

- Model Name: BEAMONE PRO
- Model Code: XP 300 BEAM IP

### Light Source

- Light Source: PHILIPS MSD Infinity 12 X
- Color Temperature Output of Fixture: 7,400K
- Life Expectancy: 8,000 hours\*
- \*Source manufacturer specification

### Photometric Data

- Light Engine Luminous Output: 13,500 lumens
- Fixture Luminous Output: 8,500 lumens
- CCT: 7,400K
- Ra: 74
- TM-30 Rf (IES TM-30-15 Fidelity Index): 73
- TM-30 Rg (IES TM-30-15 Fidelity Index): 89
- TLCI: 41

### Optical System

- Beam Angle: 2°
- Diameter of Frontal Lens: 152 mm

### Control & Program

- 4 button touch control panel
- Display: LCD display
- Protocols: DMX512, RDM, Art-Net, sACN, NFC
- DMX Protocol Modes: 1
- Control Channels: 25
- Firmware Upgrade: Upgrade via DMX link or USB stick

### Pan & Tilt

- Pan Movement: 540°
- Tilt Movement: 270°
- Automatic Pan/Tilt position correction
- Resolution: 16 bit
- Pan/Tilt lock

### Color Mixing

- Linear CMY color mixing

### Color Correction

- Linear CTO Color Correction: 2,800K-6,800K

### Color Wheel

- 1 Color Wheel: 14 colors , plus open

### Static Gobo Wheel

- 1 Static Gobo Wheel:  
10 static gobos and 3 effect gobos, plus open
- Gobo Dimensions  
External Diameter: 110 mm
- Material: Aluminum Alloy

### Frost

- 1 frost filter

### Focus

- Motorized focus system

### Prism

- 1 x 8-facet circular prism, 1 x 6-facet linear prism, rotatable in both directions

### Electrical

- Input Voltage Range: 100-240Vac; 50/60Hz
- Power Consumption: 370W
- Power In/Out: Waterproof Power connector in/out
- Data In/Out: 3-pin or 5-pin waterproof XLR, waterproof RJ45 connector

### Physical

- Weight: 22.5 kg (49.6 lbs)
- Length (Head): 352 mm (13.9")
- Length (Base): 332 mm (13.1")
- Width (Across Yoke): 332 mm (13.1")
- Height (Head Up): 531 mm (20.9")

### Construction

- Housing: Aluminum-Magnesium Alloy
- Color: Black
- Protection Rating: IP66

### Work Environment

- Maximum Ambient Temperature: 45°C
- Minimum Operating Temperature: -20°C
- Maximum Surface Temperature: 80°C

# BEAMONE PRO

Compact Form. Built to Dominate Outdoors.

**SPEC SHEET**

## TECHNICAL SPECIFICATIONS

### Acoustic Data

- Noise Level:  
Standard Mode: 44 dB(A) @ 1 m

### Installation

- Horizontal or vertical mounting
- 2 omega brackets
- Safety cable attachment point

### Approvals

- CE compliant  
EMC directive 2014/30/EU  
LVD directive 2014/35/EU
- UKCA compliant  
Electromagnetic Compatibility Regulations 2016  
Electrical Equipment (Safety) Regulations 2016

## INCLUDED ITEMS

### Included Items

- Digital user manual
- Power cable
- 2 omega brackets (3002003003)

## ORDERING INFORMATION

### Optional Accessories (With Order Code)

- Flight Case  
Standard: Two-pack loader case(63584485)  
North American Standard: TBD
- Clamp: C-250B (2060001632-B)
- Safety Cable: SW-05 (2060001603-E)
- Signal Cable:  
3-pin waterproof signal cable (3017013468) or  
5-pin waterproof signal cable (3017013473)

### Carton Dimensions

- Carton Dimensions:  
Width: 470 mm (18.5")  
Depth: 450 mm (17.7")  
Height: 645 mm (25.4")
- Weight:  
G.W.: 26.5 kg (58.4 lbs) (one-pack loader carton)



3-pin/5-pin waterproof  
signal cable: 3017013468/3017013473



SW-05: 2060001603-E



C-250B: 2060001632-B



Standard: Two-pack loader case(63584485)

Foshan YiFeng Electric Industrial Co.,Ltd.

No.898, Gaoming Avenue East, Hecheng Blvd, Gaoming District, Foshan, Guangdong, China.

Web: [www.acmelighting.com](http://www.acmelighting.com) Email: [sales@acmelighting.com](mailto:sales@acmelighting.com)

All rights reserved by Acme®. Features, specifications and appearance are subject to change without notice.

REV: 20/05/2026 Draft Version

**Acme®**

# BEAMONE PRO

Compact Form. Built to Dominate Outdoors.

**SPEC SHEET**

## APPLICABLE MODELS

- BEAMONE PRO (XP 300 BEAM IP)

## ORDER CODE

- 63584485 BEAMONE PRO (XP 300 BEAM IP)

## CASE WEIGHT

- 54 kg (119.0 lbs)

## MEAS

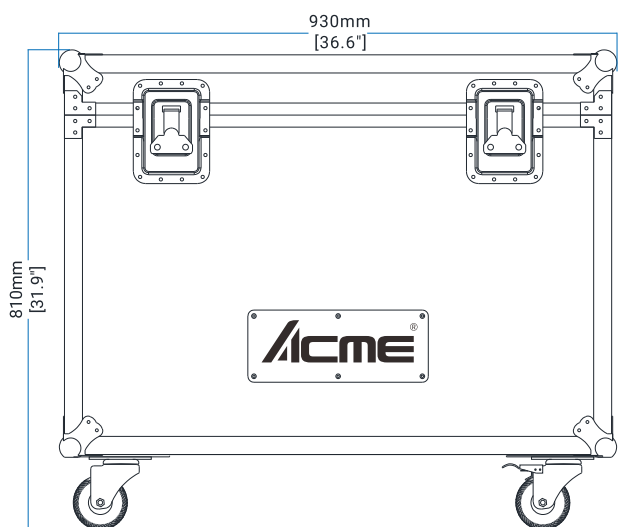
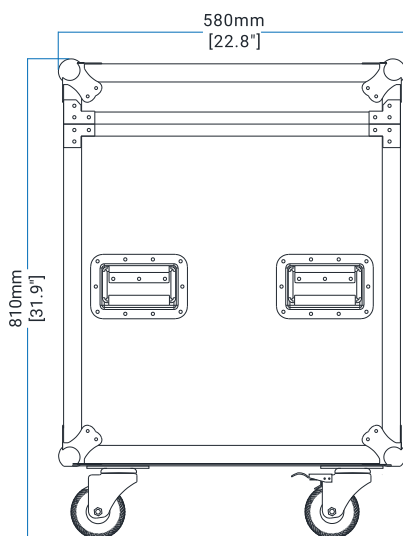
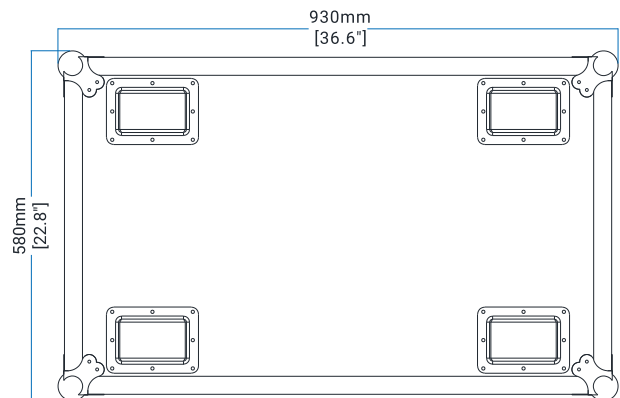
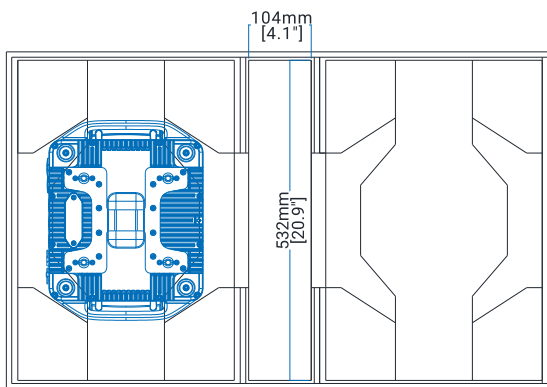
- 930 x 580 x 810 mm (36.6" x 22.8" x 31.9")

## LOADING Q'TY

- Two-pack loader case

## MAXIMUM STACKING

- 2 stacks



ACASE by ACME Version: 20260514-A

Foshan YiFeng Electric Industrial Co.,Ltd.

No.898, Gaoming Avenue East, Hecheng Blvd, Gaoming District, Foshan, Guangdong, China.

Web: [www.acmelighting.com](http://www.acmelighting.com) Email: [sales@acmelighting.com](mailto:sales@acmelighting.com)

All rights reserved by Acme®. Features, specifications and appearance are subject to change without notice.

REV: 20/05/2026 Draft Version

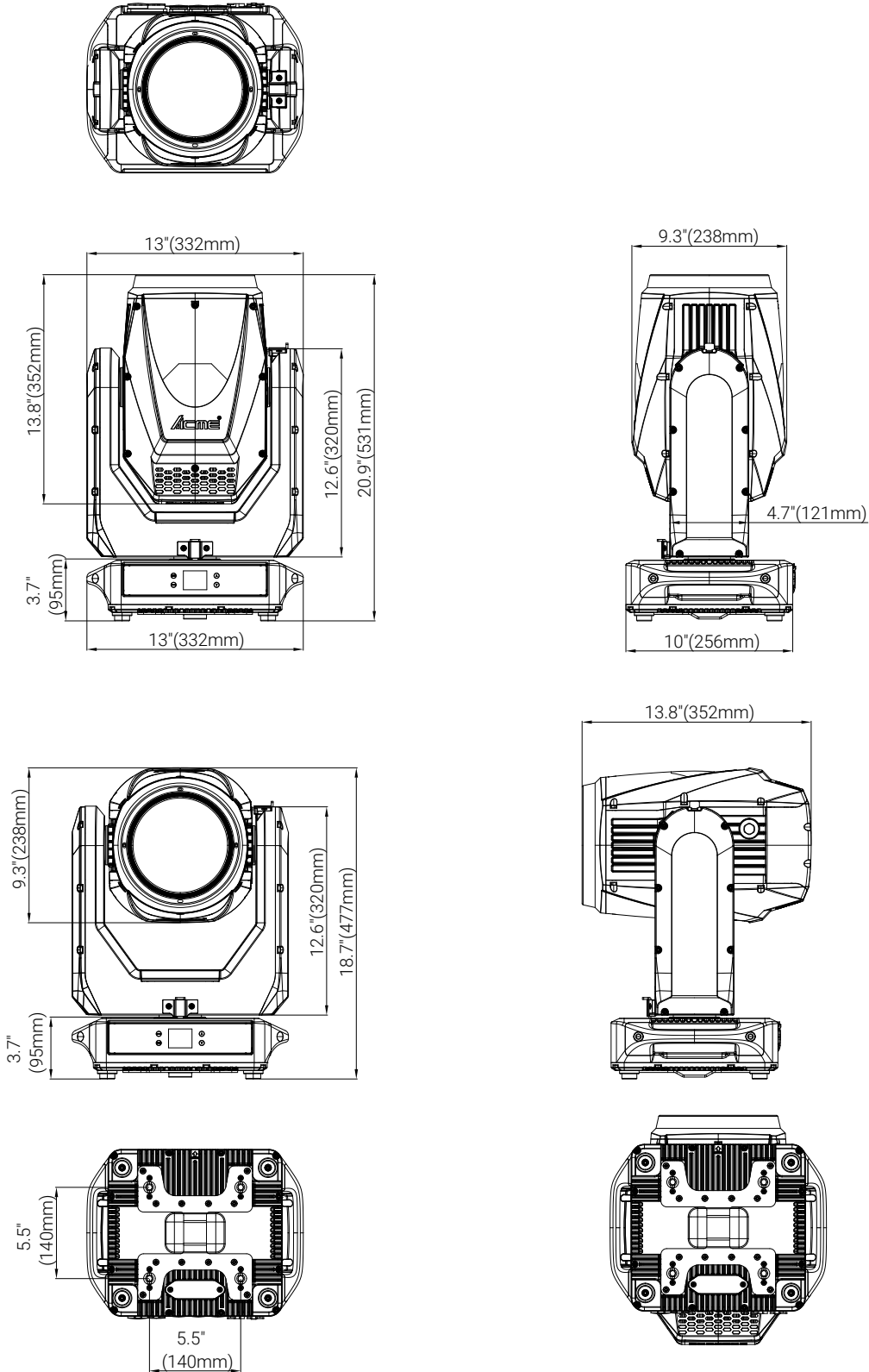


# BEAMONE PRO

Compact Form. Built to Dominate Outdoors.

SPEC SHEET

## DIMENSIONS



Foshan YiFeng Electric Industrial Co.,Ltd.

No.898, Gaoming Avenue East, Hecheng Blvd, Gaoming District, Foshan, Guangdong, China.

Web: [www.acmelighting.com](http://www.acmelighting.com) Email: [sales@acmelighting.com](mailto:sales@acmelighting.com)

All rights reserved by Acme®. Features, specifications and appearance are subject to change without notice.

REV: 20/05/2026 Draft Version

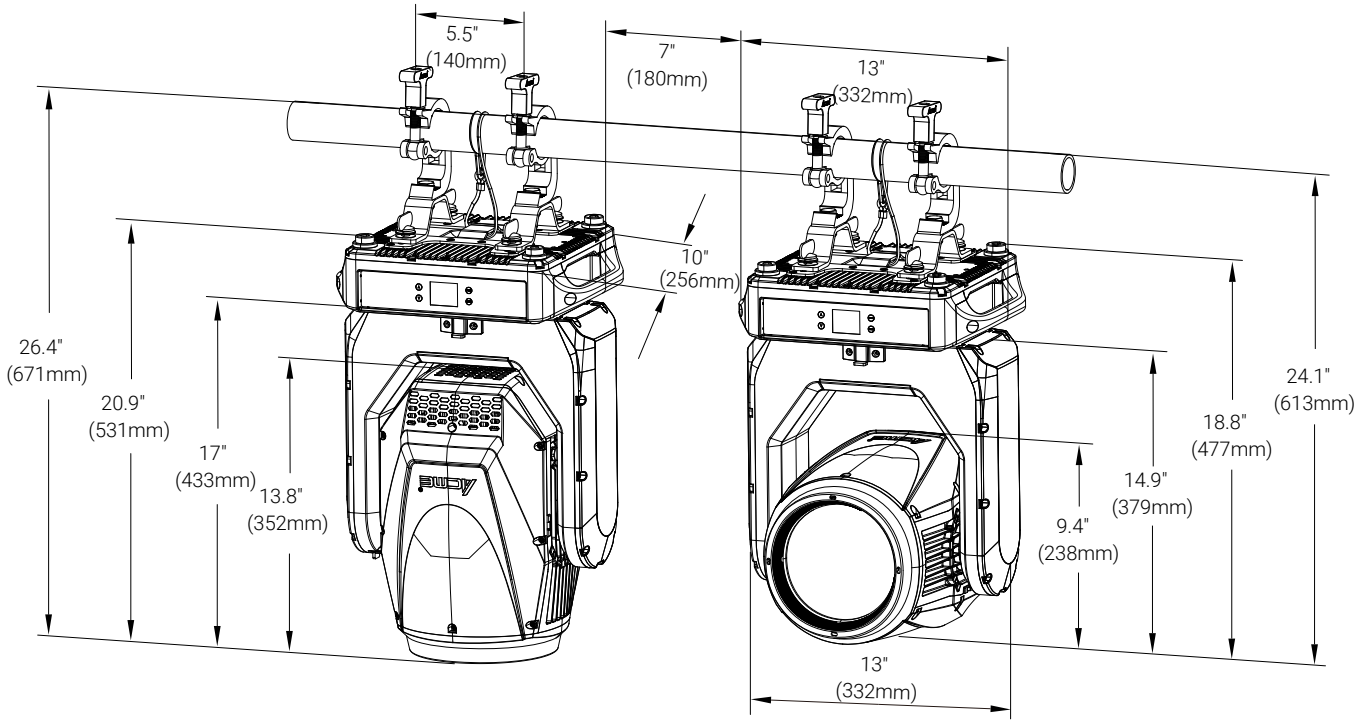
**Acme®**

# BEAMONE PRO

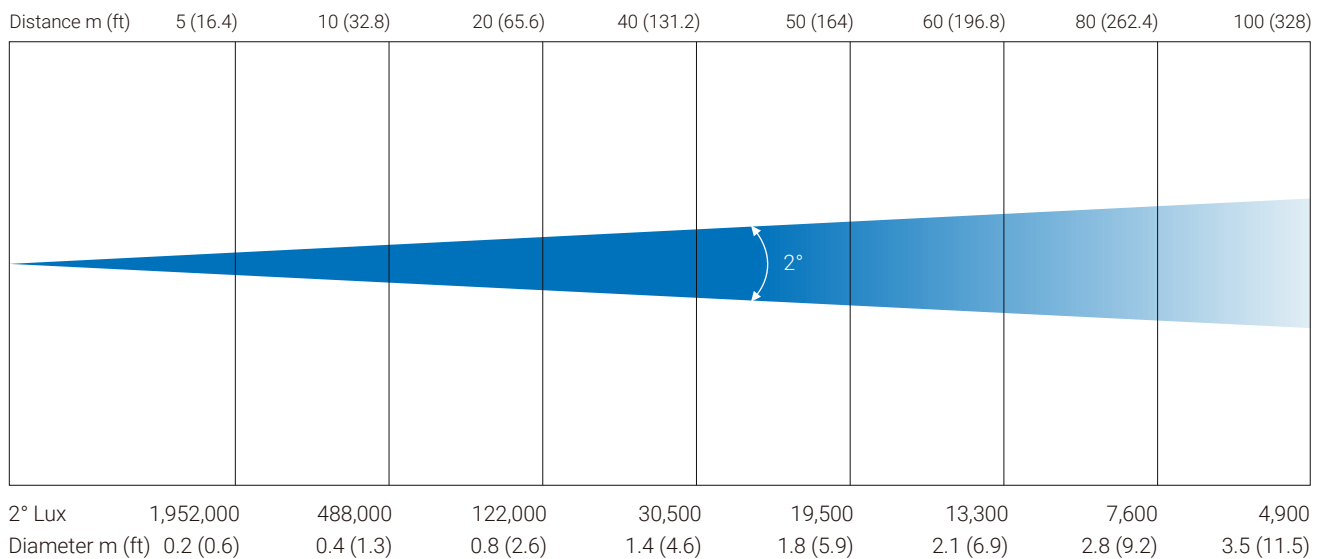
Compact Form. Built to Dominate Outdoors.

**SPEC SHEET**

## HANGING DIMENSIONS



## PHOTOMETRIC



Foshan YiFeng Electric Industrial Co.,Ltd.

No.898, Gaoming Avenue East, Hecheng Blvd, Gaoming District, Foshan, Guangdong, China.

Web: [www.acmelighting.com](http://www.acmelighting.com) Email: [sales@acmelighting.com](mailto:sales@acmelighting.com)

All rights reserved by Acme®. Features, specifications and appearance are subject to change without notice.

REV: 20/05/2026 Draft Version



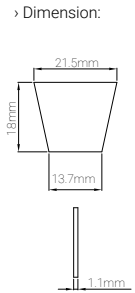
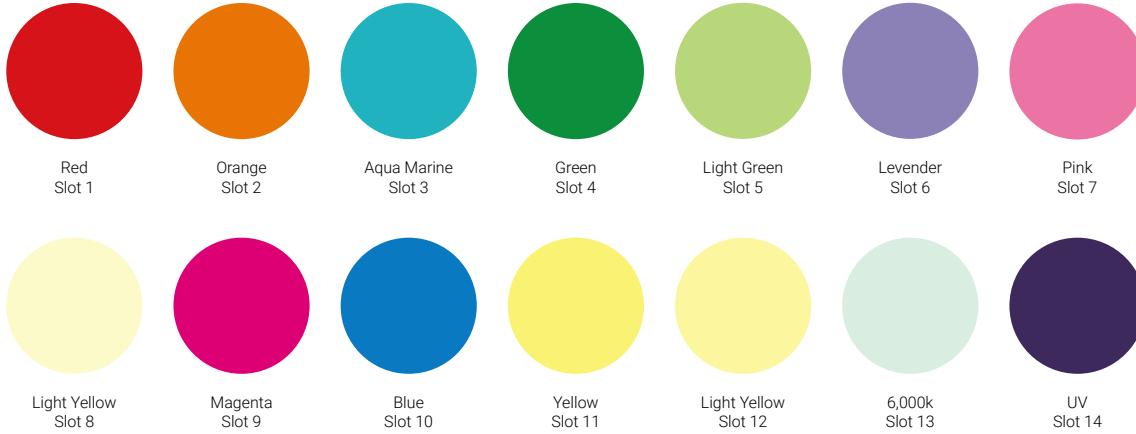
# BEAMONE PRO

Compact Form. Built to Dominate Outdoors.

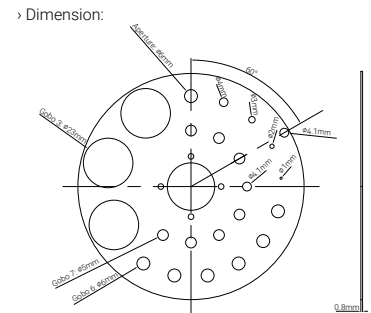
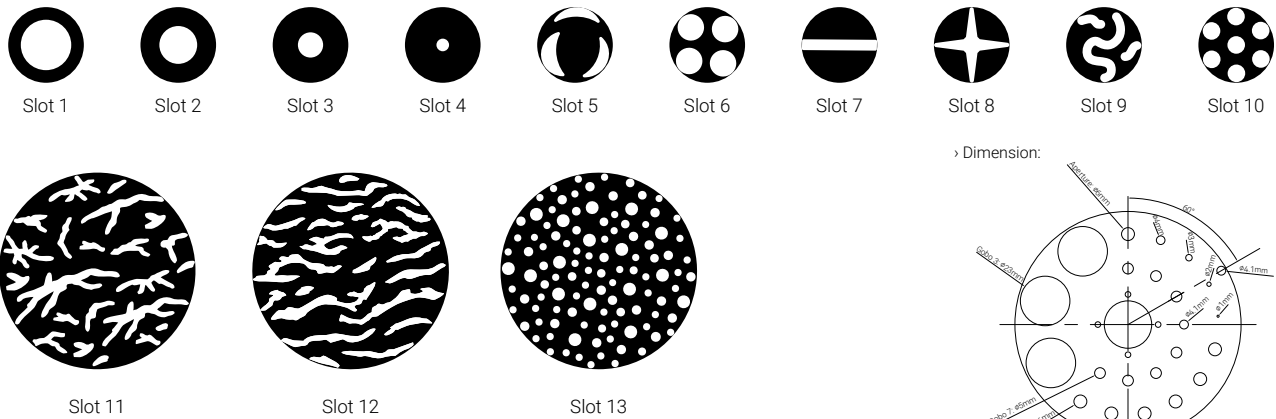
**SPEC SHEET**

## DYNAMIC EFFECTS

### Color Wheel



### Static Gobo Wheel

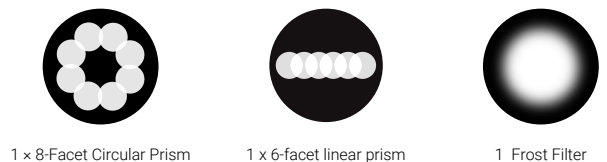


Material: Aluminum alloy

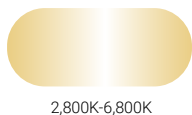
### Linear CMY Color Mixing



### Prism/Frost Filter



### Linear CTO Color Correction



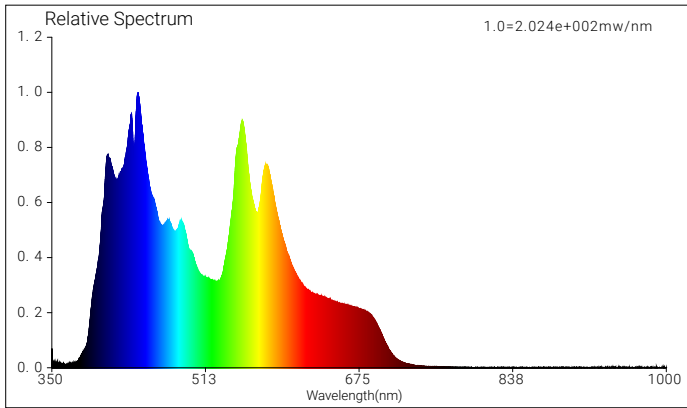
# BEAMONE PRO

Compact Form. Built to Dominate Outdoors.

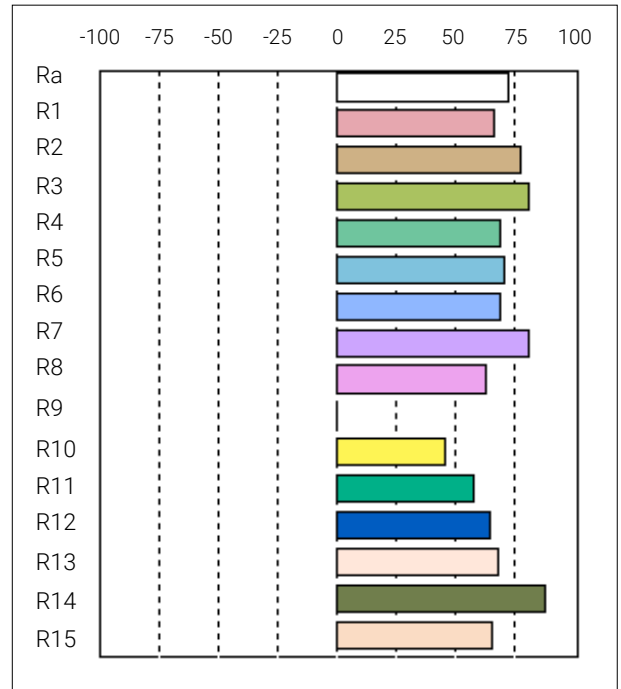
**SPEC SHEET**

## PHOTOMETRIC REPORT – CHROMATICITY

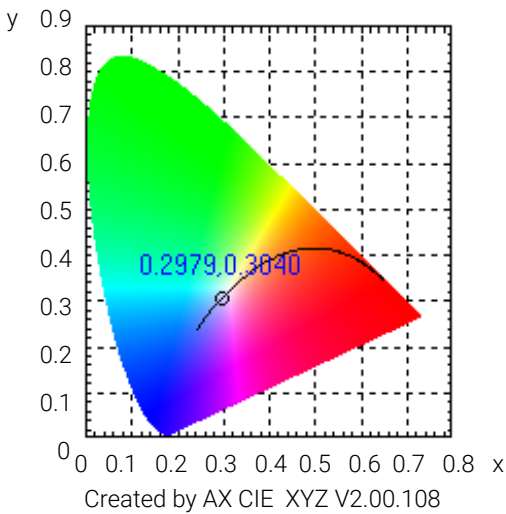
### Spectral Distribution



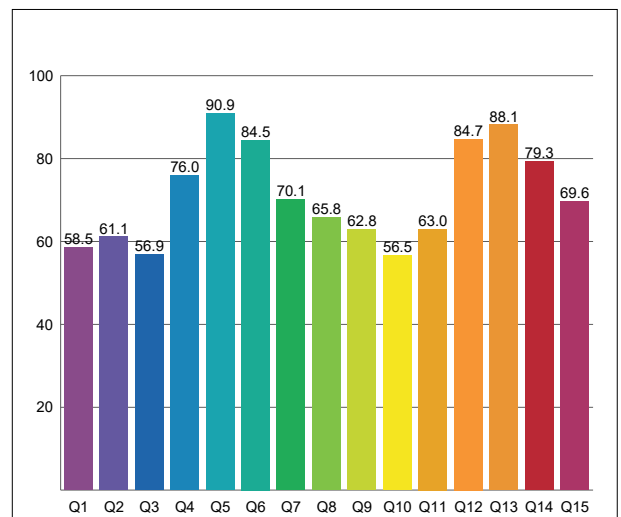
### CRI: 73.6 (R1-R8)



### CIE 1931 EVERFINE



### CQS:70.5(Q1-Q8)



#### CRI C Values

C1	C2	C3	C4	C5	C6	C7	C8	C9	C10	C11	C12	C13	C14	C15	C16
67.8	79.3	82.3	70.5	72.0	70.4	82.8	64.0	0.0	47.1	59.5	66.3	69.3	89.1	66.6	73.6

#### TM30 R Values

R1	R2	R3	R4	R5	R6	R7	R8	R9	R10	R11	R12	R13	R14	R15
67.8	79.3	82.3	70.5	72.0	70.4	82.8	64.0	0.0	47.1	59.5	66.3	69.3	89.1	66.6

#### CQS Q Values

Q1	Q2	Q3	Q4	Q5	Q6	Q7	Q8	Q9	Q10	Q11	Q12	Q13	Q14	Q15
58.5	61.1	56.9	76.0	90.9	84.5	70.1	65.8	62.8	56.5	63.0	84.7	88.1	79.3	69.6

#### Colour Parameters

Color temperature	Color rendering index	Color fidelity	Color gamut	Color quality scale	Color coordinate cie 1931	Color coordinate cie 1931	Color coordinate	Color coordinate	Color deviation from black body
CCT	CRI	TM30 Rf	TM30 Rg	CQS	x	y	u	v	Δuv
7,811K	73.6	73	89	70.5	0.2979	0.3040	0.1969	0.4521	-0.0019

Foshan YiFeng Electric Industrial Co.,Ltd.

No.898, Gaoming Avenue East, Hecheng Blvd, Gaoming District, Foshan, Guangdong, China.

Web: www.acmelighting.com Email: sales@acmelighting.com

All rights reserved by Acme®. Features, specifications and appearance are subject to change without notice.

REV: 20/05/2026 Draft Version



# BEAMONE PRO

Compact Form. Built to Dominate Outdoors.

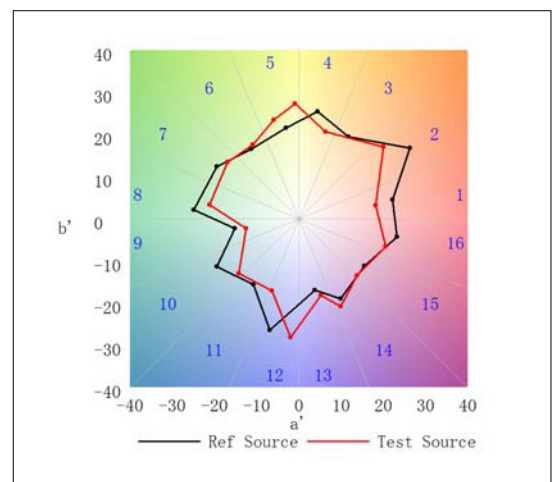
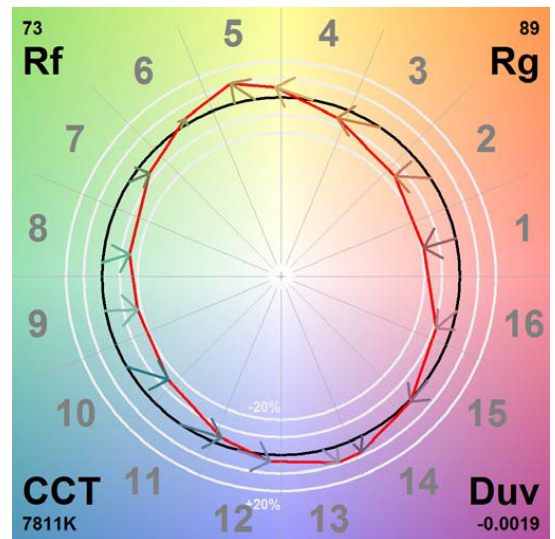
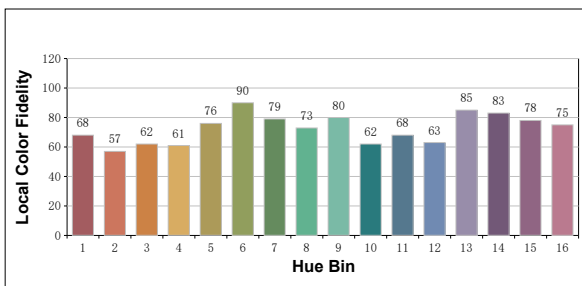
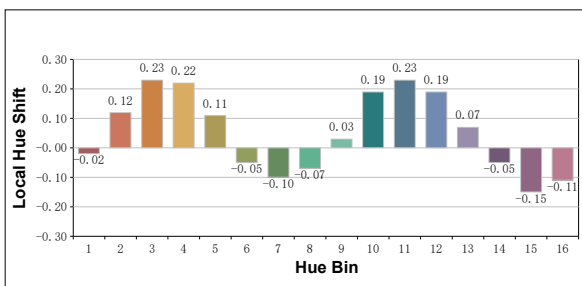
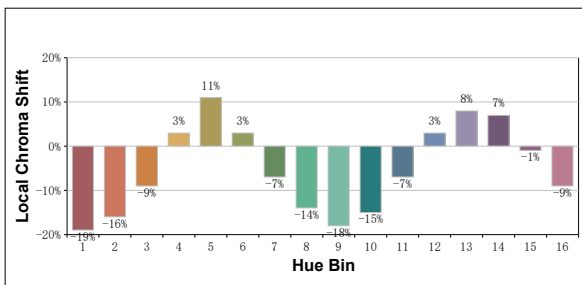
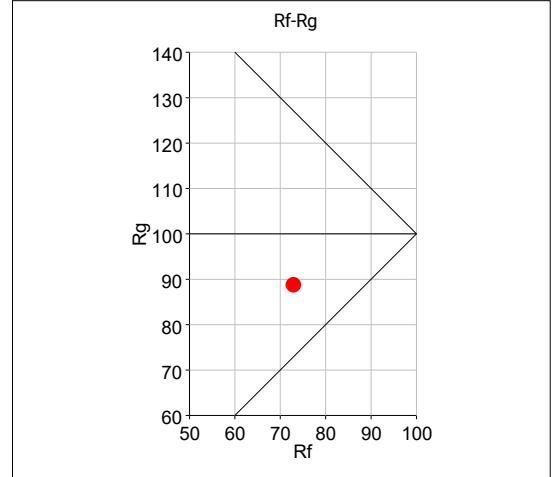
**SPEC SHEET**

## PHOTOMETRIC REPORT – TM-30

**TM-30 Rf (IES TM-30-15 Fidelity Index): 73**

**TM-30 Rg (IES TM-30-15 Fidelity Index): 89**

Hue Bin	Hue Angle	Graphic shift(%)		
		Rf	Chroma	Hue
1	0.0° – 22.5°	68	-19	-2
2	22.5° – 45.0°	57	-16	12
3	45.0° – 67.5°	62	-9	23
4	67.5° – 90.0°	61	3	22
5	90.0° – 112.5°	76	11	11
6	112.5° – 135.0°	90	3	-5
7	135.0° – 157.5°	79	-7	-10
8	157.5° – 180.0°	73	-14	-7
9	180.0° – 202.5°	80	-18	3
10	202.5° – 225.0°	62	-15	19
11	225.0° – 247.5°	68	-7	23
12	247.5° – 270.0°	63	3	19
13	270.0° – 292.5°	85	8	7
14	292.5° – 315.0°	83	7	-5
15	315.0° – 337.5°	78	-1	-15
16	337.5° – 360.0°	75	9	-11



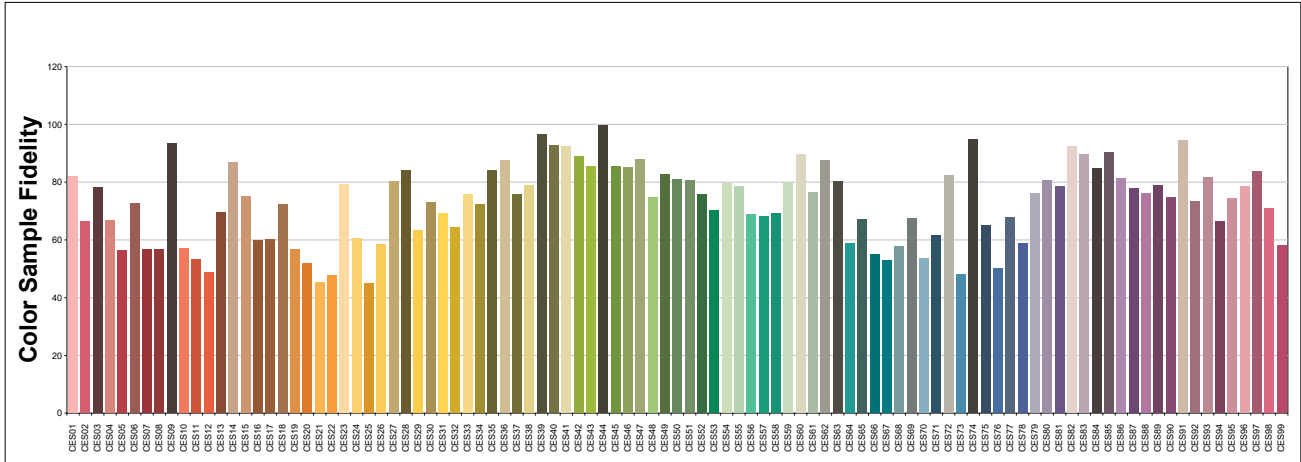
# BEAMONE PRO

Compact Form. Built to Dominate Outdoors.

**SPEC SHEET**

## PHOTOMETRIC REPORT – TM-30

### Color Evaluation Sample



## PHOTOMETRIC REPORT – TLCI-40.5

### Color Evaluation Sample



Sector	Lightness	Chroma	Hue
R	5	4	1
R/Y	0	2	-5
Y	-3	-2	-8
Y/G	-1	-1	1
G	-1	-1	3
G/C	0	1	2
C	1	3	1
C/B	5	0	-8
B	1	-2	-4
B/M	2	-3	2
M	3	-1	4
M/R	5	0	7