

PULSAR PLUS S2

Dual Possibilities. Supreme Brightness.

SPEC SHEET



Foshan YiFeng Electric Industrial Co.,Ltd.

No.898, Gaoming Avenue East, Hecheng Blvd, Gaoming District, Foshan, Guangdong, China.

Web: www.acmelighting.com Email: sales@acmelighting.com

All rights reserved by Acme®. Features, specifications and appearance are subject to change without notice.

REV: 29/05/2026



PULSAR PLUS S2

Dual Possibilities. Supreme Brightness.

SPEC SHEET

FIXTURE OVERVIEW

- The ACME **PULSAR PLUS S2** is the upgraded evolution of the highly acclaimed PULSAR S2, delivering greater brightness, IP66-rated durability, and even more creative possibilities. Its dual-face head design combines beam, strobe, pixel, and wash effects, while infinite pan/tilt movement unlocks maximum creative flexibility.
- The front of the head boasts four 150W RGBL LEDs, delivering powerful beams and uniform washes through a motorized zoom from 3.5° to 24°. This section produces a remarkable 10,500 lumens of output, offering higher brightness than the PULSAR S2. These LEDs are covered by a large outer lens, ensuring stunning optical performance as well as easy cleaning and maintenance. A standout feature is the kaleidoscope effect, powered by 150W RGBL LEDs, producing vivid, multi color textures that enhance stage visuals.
- The rear of the head features a pixel/strobe section with 160 x 3W CW LEDs and 192 x 0.5W RGB LEDs, along with a beam section with 16 x 10W CW LEDs. For added creativity, the **PULSAR PLUS S2** is equipped with ACME's patented electronic frost system, applied to both the pixel and 10W beam sections. This enables seamless transitions from sharp beams to soft looks.
- With expanded creative potential and a rugged IP66 housing, the **PULSAR PLUS S2** pushes the boundaries of the original design, making it the perfect choice for large-scale outdoor productions.



FEATURE HIGHLIGHTS

- Light Source:
 - Beam/Wash Section: 4 x 150W RGBL LEDs
 - Pixel/Strobe Section:
 - 160 x 3W CW LEDs
 - 192 x 0.5W RGB LEDs
 - 10W Beam Section: 16 x 10W CW LEDs
- Beam Angle:
 - Beam/Wash Section: 3.5°-24°
 - Pixel Section: 115°
 - Strobe Section: 108°
 - 10W Beam Section: 3.5°
- Field Angle:
 - Beam/Wash Section: 5°-30°
 - Kaleidoscope Effect: 14°, 24°
- Fixture Luminous Output:
 - Beam/Wash Section: 10,500 lumens
 - Pixel Section (RGB): 3,800 lumens
 - Strobe Section (CW): 28,500 lumens
 - 10W Beam Section: 2,700 lumens
- Color Temperature Output of Fixture: 8,000K
- Variable CTO ranging from 2,500K-8,000K
- Outstanding strobe effect with variable speed
- Smooth dimming 0-100% (4 user selectable dimming curves)
- DMX Controllable Smart Glass technology for
 - Pixel and 10W Beam Sections
 - Built-in color macro effects
 - Motorized linear zoom system
- IP66 rated

PULSAR PLUS S2

Dual Possibilities. Supreme Brightness.

SPEC SHEET

TECHNICAL SPECIFICATIONS

Model

- Model Name: PULSAR PLUS S2
- Model Code: CM S2 IP

Light Source

- Light Source:
- Beam/Wash Section: 4 x 150W RGBL LEDs
- Pixel/Strobe Section:
160 x 3W CW LEDs 192 x 0.5W RGB LEDs
- 10W Beam Section: 16 x 10W CW LEDs
- Color Temperature Output of Fixture: 8,000K
- Life Expectancy: 20,000 hours*
- *Source manufacturer specification

Photometric Data

- Fixture Luminous Output:
- Beam/Wash Section: 10,500 lumens
- Pixel Section (RGB): 3,800 lumens
- Strobe Section (CW): 28,500 lumens
- 10W Beam Section: 2,700 lumens
- CCT: 8,000K (+/- 200K)
- Ra: 83
- TM-30 Rf (IES TM-30-15 Fidelity Index): 87
- TM-30 Rg (IES TM-30-15 Fidelity Index): 105
- TLCI: 85

Optical System

- Frontal Lens: 90 x 90 mm
- Beam Angle:
Beam/Wash Section: 3.5°-24°
Pixel Section: 115°
Strobe Section: 108°
10W Beam Section: 3.5°
- Field Angle:
Beam/Wash Section: 5°-30°
Kaleidoscope Effect: 14°, 24°
- DMX Controllable Smart Glass technology for
Pixel and 10W Beam Sections
- Patent No.:
CN216010577U
US11698183B1
DE202023101966U1
FR3134870B3

Control & Program

- 4 touch button control panel
- Display: LCD display
- Protocols: DMX, RDM, Art-Net, sACN, NFC
- Setting and Addressing: Display menu, RDM
- DMX Modes: 5
- DMX Channels: 43/153/139/195/27+168
- Firmware Upgrade: Upgrade via DMX link or USB stick

Pan & Tilt

- Pan: Infinity
- Tilt: Infinity
- Automatic Pan/Tilt position correction
- Resolution: 16 bit
- Pan/Tilt lock

Color Correction

- Linear CTO Color Correction: 2,500K-8,000K

Zoom

- Motorized linear zoom system

Electrical

- Input Voltage Range: 100-240Vac; 50/60Hz
- Power Consumption: 1,200W
- Power In/Out: Waterproof power connector in/out
- Data In/Out: 3-pin or 5-pin waterproof XLR, waterproof RJ45 connector

Physical

- Weight: 20.5 kg (45.2 lbs)
- Length (Head): 272 mm (10.7")
- Length (Base): 310 mm (12.2")
- Width (Across Yoke): 309 mm (12.2")
- Height (Head Up): 496 mm (19.5")

Construction

- Housing: Magnesium alloy
- Color: Black
- Protection Rating: IP66

PULSAR PLUS S2

Dual Possibilities. Supreme Brightness.

SPEC SHEET

TECHNICAL SPECIFICATIONS

Work Environment

- Maximum Ambient Temperature: 45°C
- Minimum Operating Temperature: -20°C
- Maximum Surface Temperature: 70°C

Acoustic Data

- Noise Level:
 - Auto Mode: 49 dB(A) @ 1 m
 - Quiet Mode: 38 dB(A) @ 1 m
 - Super Quiet Mode: 35 dB(A) @ 1 m

Installation

- Universal working position
- 2 omega brackets
- Safety cable attachment point

Approvals

- CE compliant
 - EMC directive 2014/30/EU
 - LVD directive 2014/35/EU
- UKCA compliant
 - Electromagnetic Compatibility Regulations 2016
 - Electrical Equipment (Safety) Regulations 2016
- cETLus compliant
 - UL 1573
 - CSA C22.2 #166



PULSAR PLUS S2

Dual Possibilities. Supreme Brightness.

SPEC SHEET

INCLUDED ITEMS

Included Items

- Digital user manual
- Power cable
- 2 omega brackets (3002003002)

ORDERING INFORMATION

Optional Accessories (With Order Code)

- Flight Case:
Standard: Four-pack loader case (63584350)
North American Standard:
Four-pack loader case (63584378)
- Clamp: C-150B (2060001625-C)
- Safety Cable: SW-05 (2060001603-E)
- Signal Cable: 3-pin waterproof signal cable (3017013468) or 5-pin waterproof signal cable (3017013473)

Carton Dimensions

- Width : 405 mm (15.9")
- Depth : 385 mm (15.2")
- Height : 660 mm (26")
- Weight :
G.W.: 24.5 kg (54 lbs) (one-pack loader carton)



3-pin/5-pin waterproof
signal cable: 3017013468/3017013473



SW-05: 2060001603-E



C-150B: 2060001625-C



Standard(Four-pack loader case): 63584350

Foshan YiFeng Electric Industrial Co.,Ltd.

No.898, Gaoming Avenue East, Hecheng Blvd, Gaoming District, Foshan, Guangdong, China.

Web: www.acmelighting.com Email: sales@acmelighting.com

All rights reserved by Acme®. Features, specifications and appearance are subject to change without notice.

REV: 29/05/2026

Acme®

PULSAR PLUS S2

Dual Possibilities. Supreme Brightness.

SPEC SHEET

(STANDARD) FLIGHT CASE

APPLICABLE MODELS

- PULSAR PLUS S2 (CM S2 IP)

ORDER CODE

- 63584350 PULSAR PLUS S2 (CMS2 IP)

CASE WEIGHT

- 58 kg (127.9 lbs)

MEAS

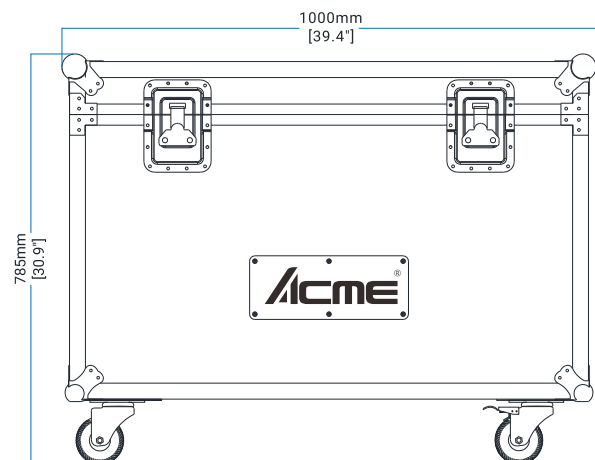
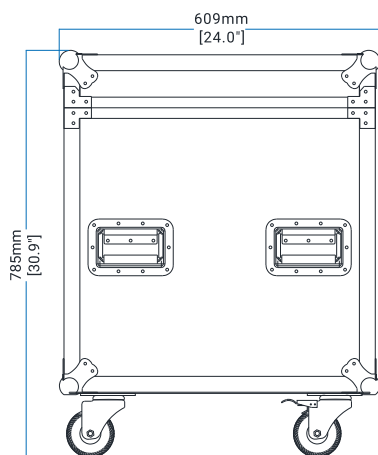
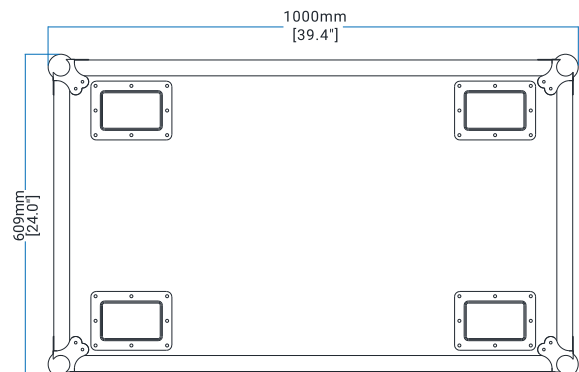
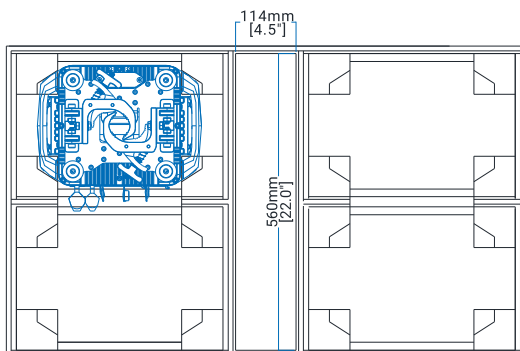
- 1,000 x 609 x 785 mm (39.4" x 24.0" x 30.9")

LOADING Q'TY

- Four-pack loader case

MAXIMUM STACKING

- 3 stacks



ACASE by ACME Version: 2026126-A

Foshan YiFeng Electric Industrial Co.,Ltd.

No.898, Gaoming Avenue East, Hecheng Blvd, Gaoming District, Foshan, Guangdong, China.

Web: www.acmelighting.com Email: sales@acmelighting.com

All rights reserved by Acme®. Features, specifications and appearance are subject to change without notice.

REV: 29/05/2026

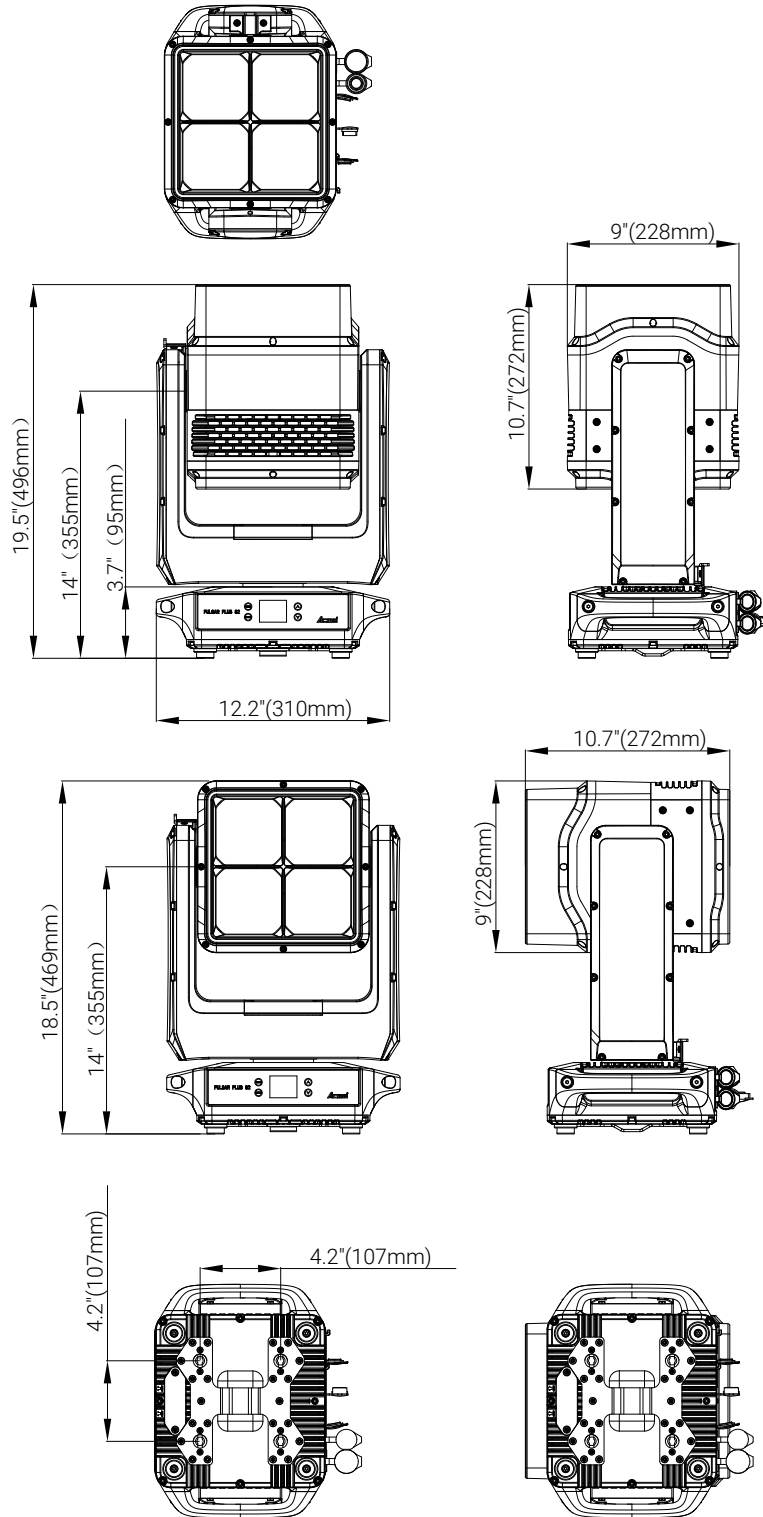
ACME®

PULSAR PLUS S2

Dual Possibilities. Supreme Brightness.

SPEC SHEET

DIMENSIONS



Foshan YiFeng Electric Industrial Co.,Ltd.

No.898, Gaoming Avenue East, Hecheng Blvd, Gaoming District, Foshan, Guangdong, China.

Web: www.acmelighting.com Email: sales@acmelighting.com

All rights reserved by Acme®. Features, specifications and appearance are subject to change without notice.

REV: 29/05/2026

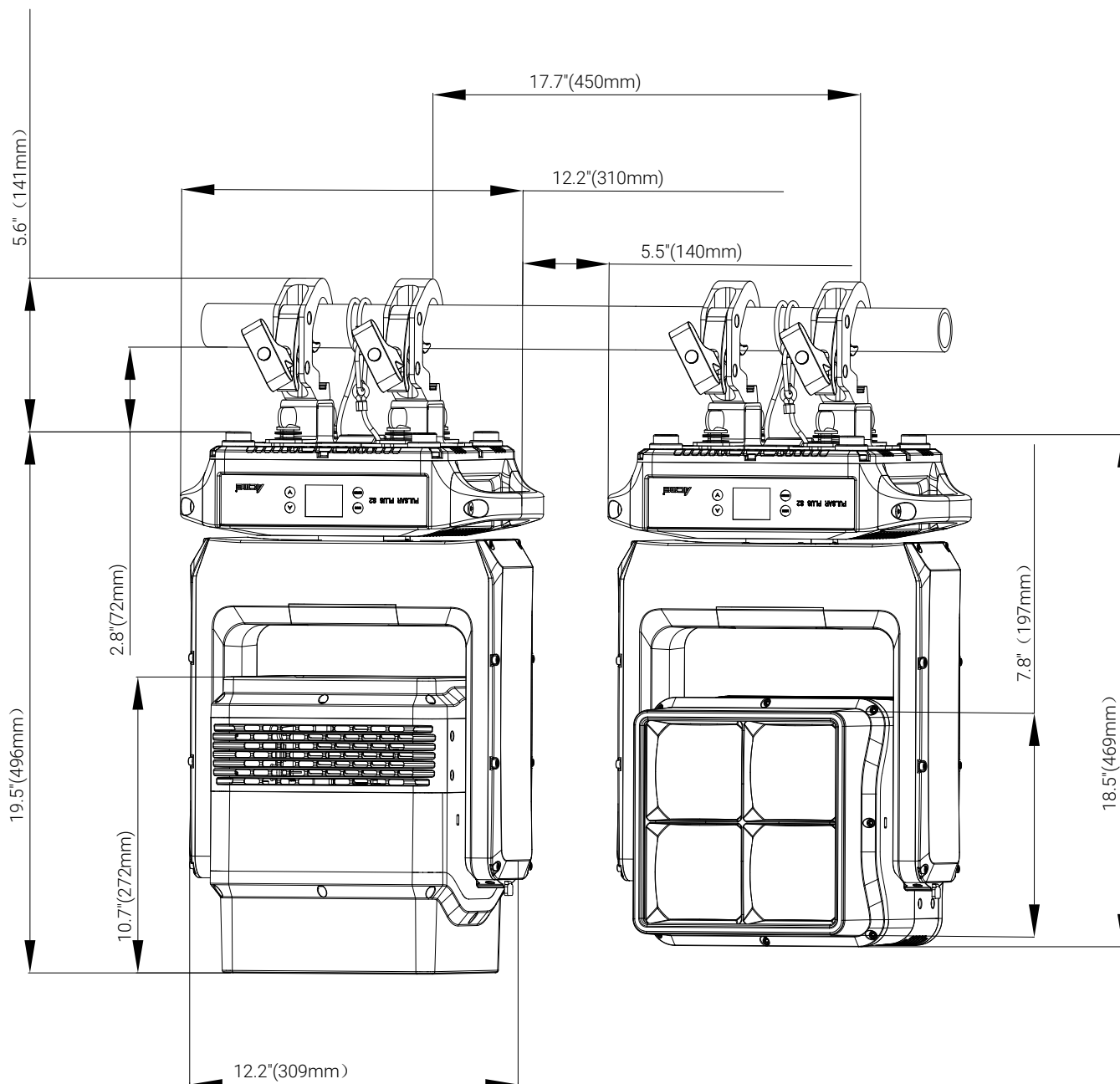
Acme®

PULSAR PLUS S2

Dual Possibilities. Supreme Brightness.

SPEC SHEET

HANGING DIMENSIONS



Foshan YiFeng Electric Industrial Co.,Ltd.

No.898, Gaoming Avenue East, Hecheng Blvd, Gaoming District, Foshan, Guangdong, China.

Web: www.acmelighting.com Email: sales@acmelighting.com

All rights reserved by Acme®. Features, specifications and appearance are subject to change without notice.

REV: 29/05/2026

Acme®

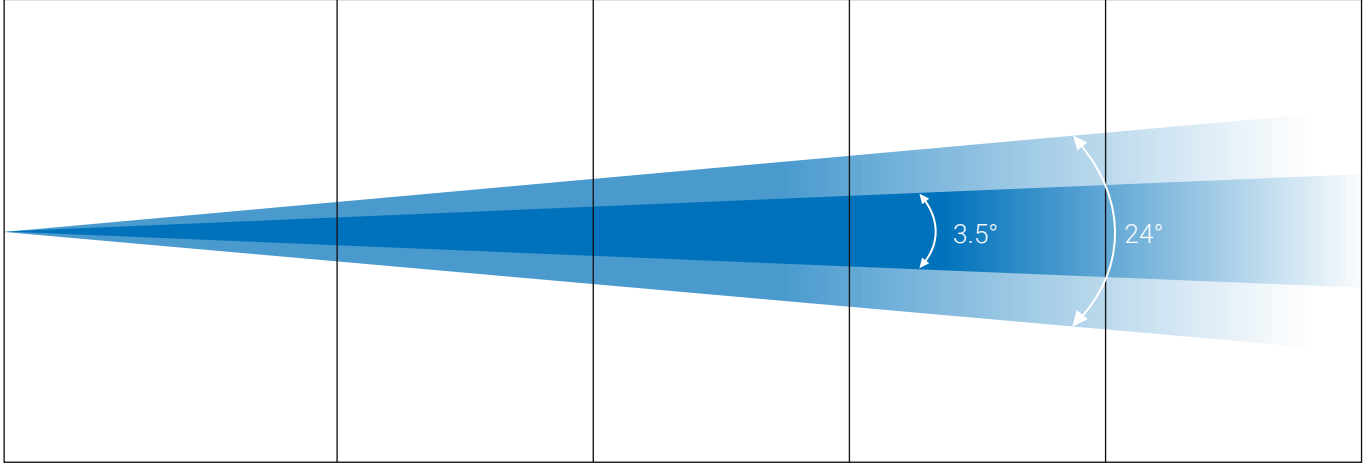
PULSAR PLUS S2

Dual Possibilities. Supreme Brightness.

SPEC SHEET

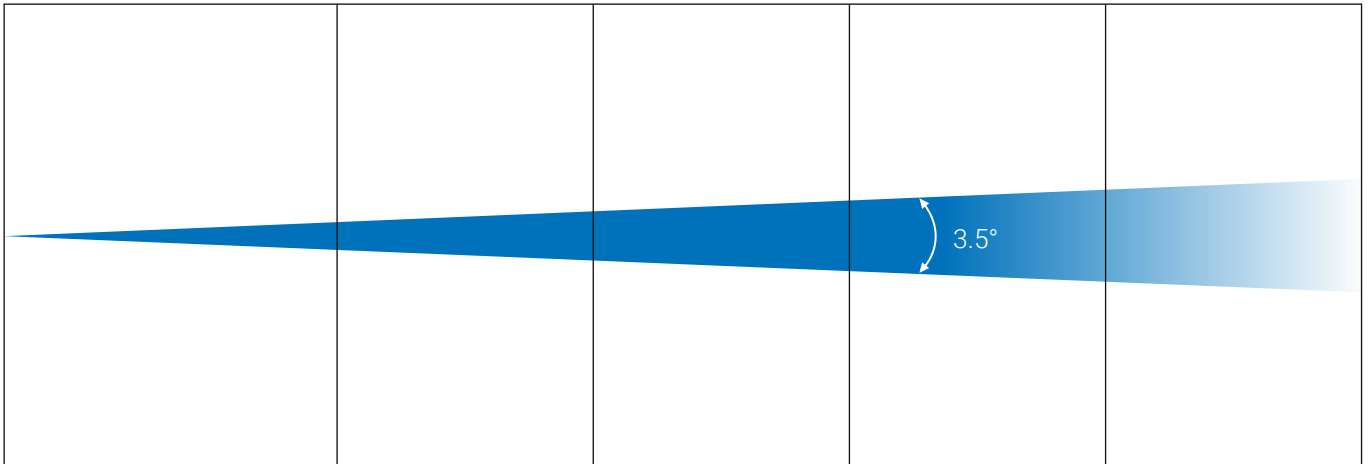
PHOTOMETRIC

Distance m (ft) 5 (16.4) 10 (32.8) 15 (49.2) 20 (65.6) 25 (82)



3.5° RGBL Lux	80,800	20,200	8,978	5,050	3,232
Diameter m (ft)	0.6(2)	1.2(3.9)	1.8 (5.9)	2.4 (7.8)	3(9.8)
24°RGBL Lux	3,768	942	419	236	151
Diameter m (ft)	2.6(8.5)	5.2 (16.9)	7.8 (25.4)	10.5 (34.1)	13.1 (42.6)

Distance m (ft) 5 (16.4) 10 (32.8) 15 (49.2) 20 (65.6) 25(82)



3.5° 10W CW Lux	31,720	7,930	3,524	1,982	1,268
Diameter m (ft)	0.6(2)	1.1(3.6)	1.7 (5.5)	2.2 (7.2)	2.8(9.1)

Foshan YiFeng Electric Industrial Co.,Ltd.

No.898, Gaoming Avenue East, Hecheng Blvd, Gaoming District, Foshan, Guangdong, China.

Web: www.acmelighting.com Email: sales@acmelighting.com

All rights reserved by Acme®. Features, specifications and appearance are subject to change without notice.

REV: 29/05/2026

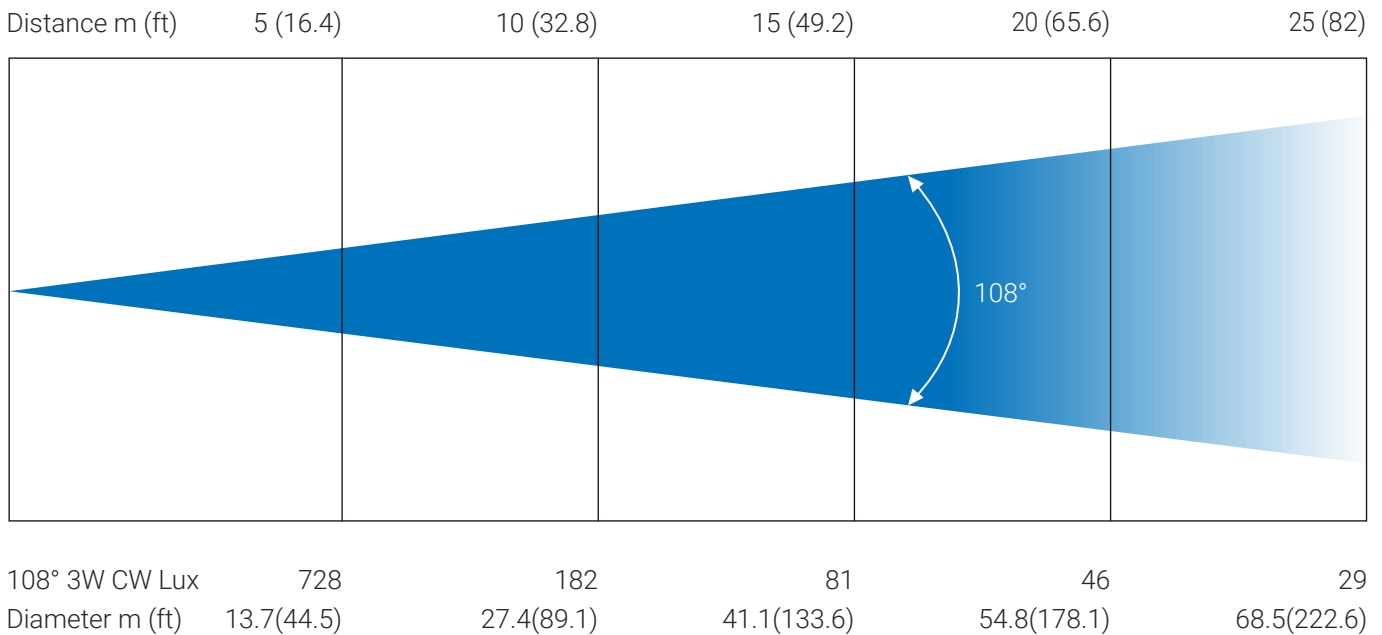
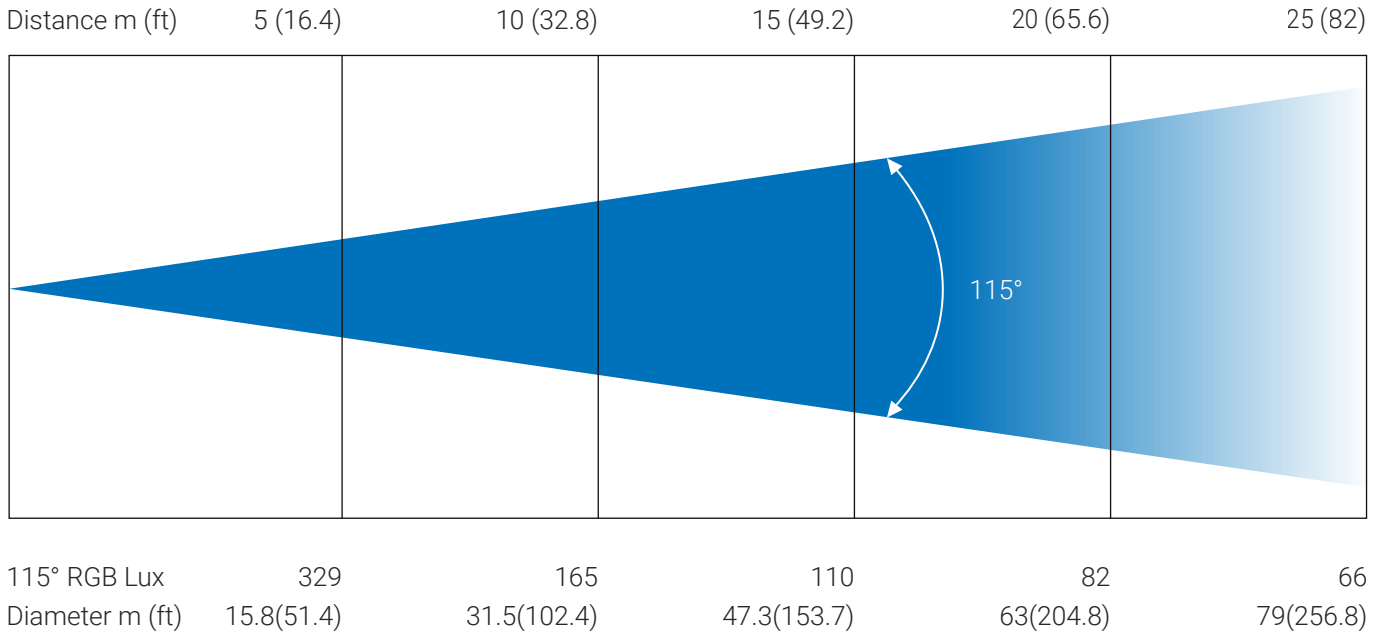


PULSAR PLUS S2

Dual Possibilities. Supreme Brightness.

SPEC SHEET

PHOTOMETRIC



Foshan YiFeng Electric Industrial Co.,Ltd.

No.898, Gaoming Avenue East, Hecheng Blvd, Gaoming District, Foshan, Guangdong, China.

Web: www.acmelighting.com Email: sales@acmelighting.com

All rights reserved by Acme®. Features, specifications and appearance are subject to change without notice.

REV: 29/05/2026



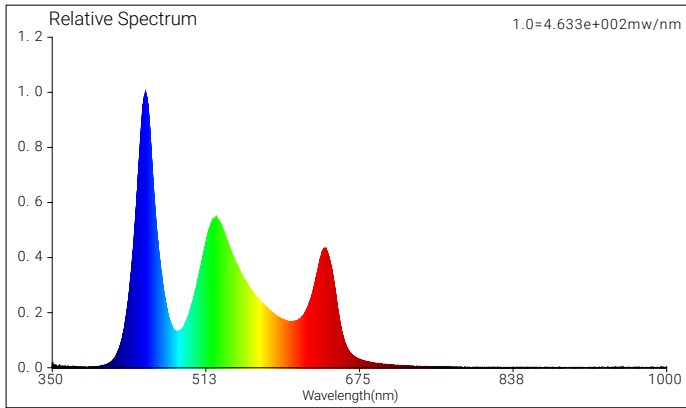
PULSAR PLUS S2

Dual Possibilities. Supreme Brightness.

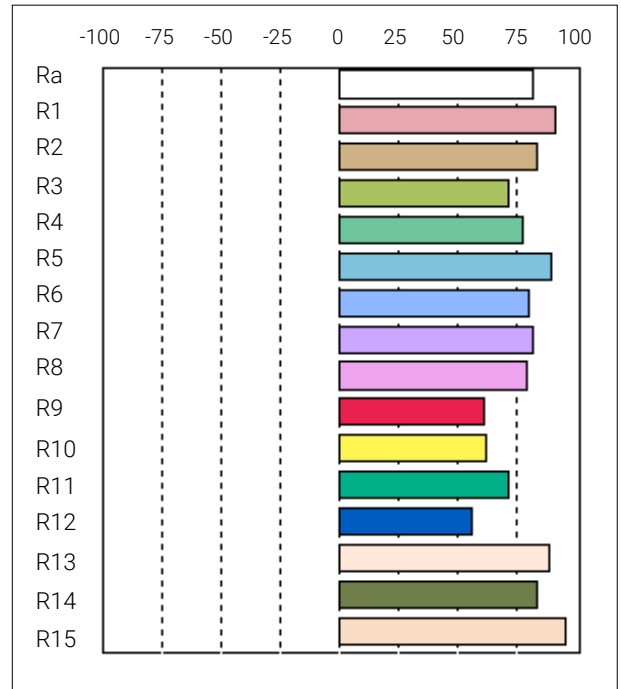
SPEC SHEET

PHOTOMETRIC REPORT – CHROMATICITY

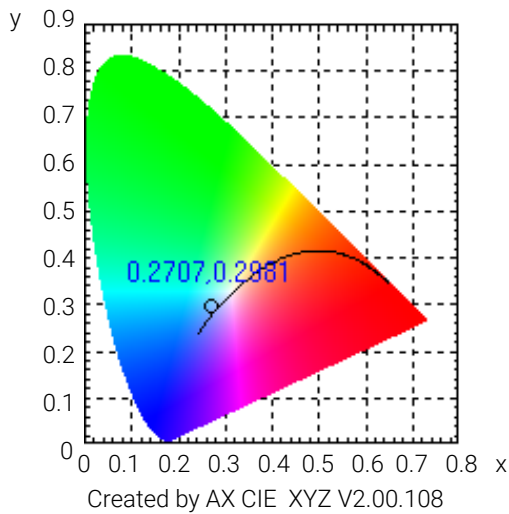
Spectral Distribution



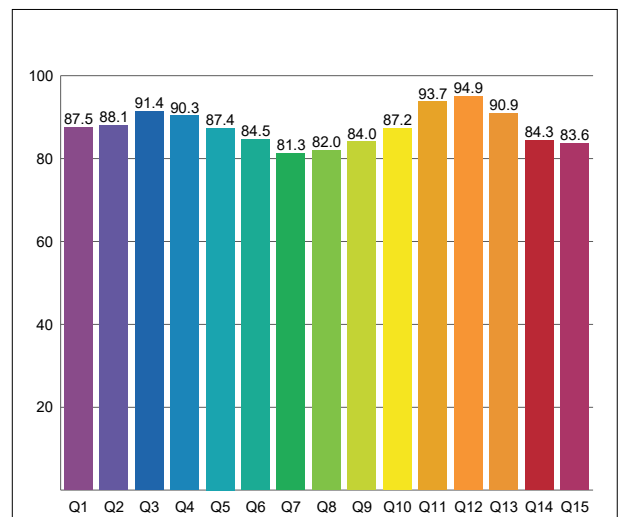
CRI: 83.1 (R1-R8)



CIE 1931 EVERFINE



CQS: 86.6 (Q1-Q8)



CRI C Values

C1	C2	C3	C4	C5	C6	C7	C8	C9	C10	C11	C12	C13	C14	C15	C16
93.0	84.7	72.5	79.1	90.6	81.5	83.1	80.4	62.5	63.7	72.6	57.4	89.7	84.8	97.2	83.1

TM30 R Values

R1	R2	R3	R4	R5	R6	R7	R8	R9	R10	R11	R12	R13	R14	R15
93.0	84.7	72.5	79.1	90.6	81.5	83.1	80.4	62.5	63.7	72.6	57.4	89.7	84.8	97.2

CQS Q Values

Q1	Q2	Q3	Q4	Q5	Q6	Q7	Q8	Q9	Q10	Q11	Q12	Q13	Q14	Q15
87.5	88.1	91.4	90.3	87.4	84.5	81.3	82.0	84.0	87.2	93.7	94.9	90.9	84.3	83.6

Colour Parameters

Color temperature	Color rendering index	Color fidelity	Color gamut	Color quality scale	Color coordinate cie 1931	Color coordinate cie 1931	Color coordinate	Color coordinate	Color deviation from black body
CCT	CRI	TM30 Rf	TM30 Rg	CQS	x	y	u	v	Δuv
10,525K	83.1	87	105	86.6	0.2707	0.2981	0.1794	0.4445	0.0112

Foshan YiFeng Electric Industrial Co.,Ltd.

No.898, Gaoming Avenue East, Hecheng Blvd, Gaoming District, Foshan, Guangdong, China.

Web: www.acmelighting.com Email: sales@acmelighting.com

All rights reserved by Acme®. Features, specifications and appearance are subject to change without notice.

REV: 29/05/2026



PULSAR PLUS S2

Dual Possibilities. Supreme Brightness.

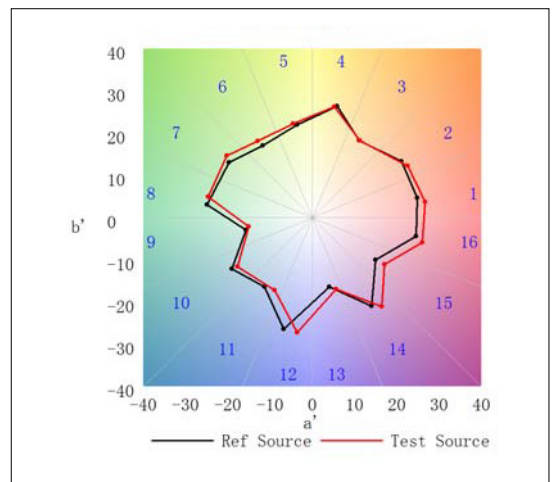
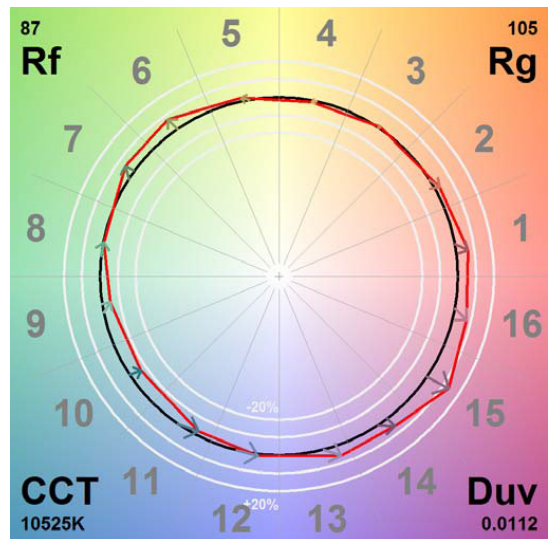
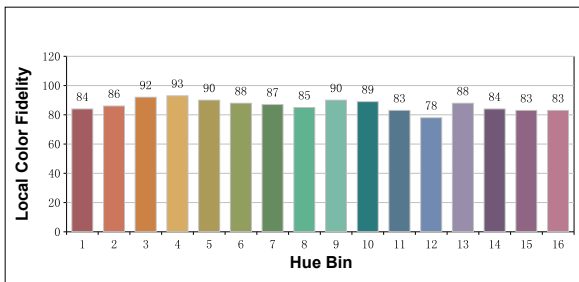
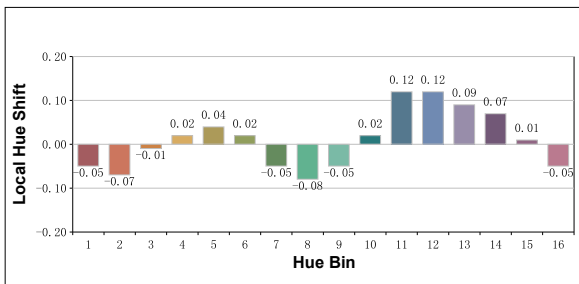
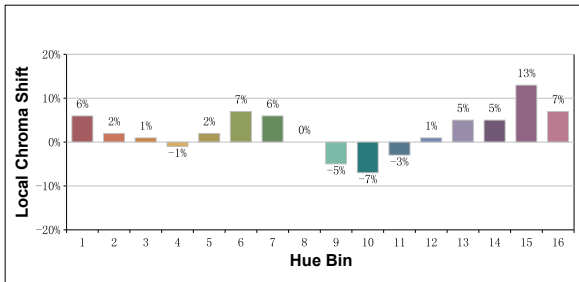
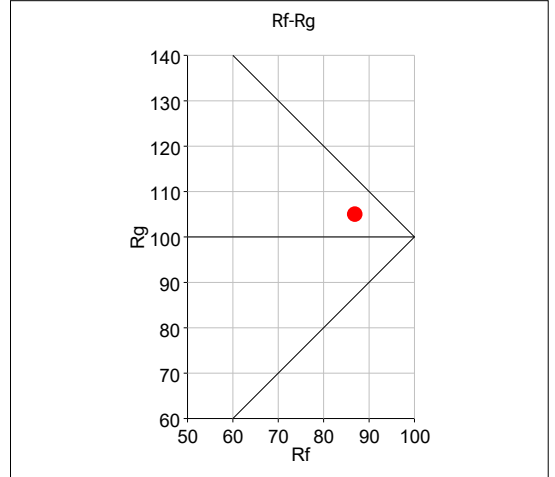
SPEC SHEET

PHOTOMETRIC REPORT – TM-30

TM-30 Rf (IES TM-30-15 Fidelity Index): 87

TM-30 Rg (IES TM-30-15 Fidelity Index): 105

Hue Bin	Hue Angle	Graphic shift(%)		
		Rf	Chroma	Hue
1	0.0° – 22.5°	84	6	-5
2	22.5° – 45.0°	86	2	-7
3	45.0° – 67.5°	92	1	-1
4	67.5° – 90.0°	93	-1	2
5	90.0° – 112.5°	90	2	4
6	112.5° – 135.0°	88	7	2
7	135.0° – 157.5°	87	6	-5
8	157.5° – 180.0°	85	0	-8
9	180.0° – 202.5°	90	-5	-5
10	202.5° – 225.0°	89	-7	2
11	225.0° – 247.5°	83	-3	12
12	247.5° – 270.0°	78	1	12
13	270.0° – 292.5°	88	5	9
14	292.5° – 315.0°	84	5	7
15	315.0° – 337.5°	83	13	1
16	337.5° – 360.0°	83	7	-5



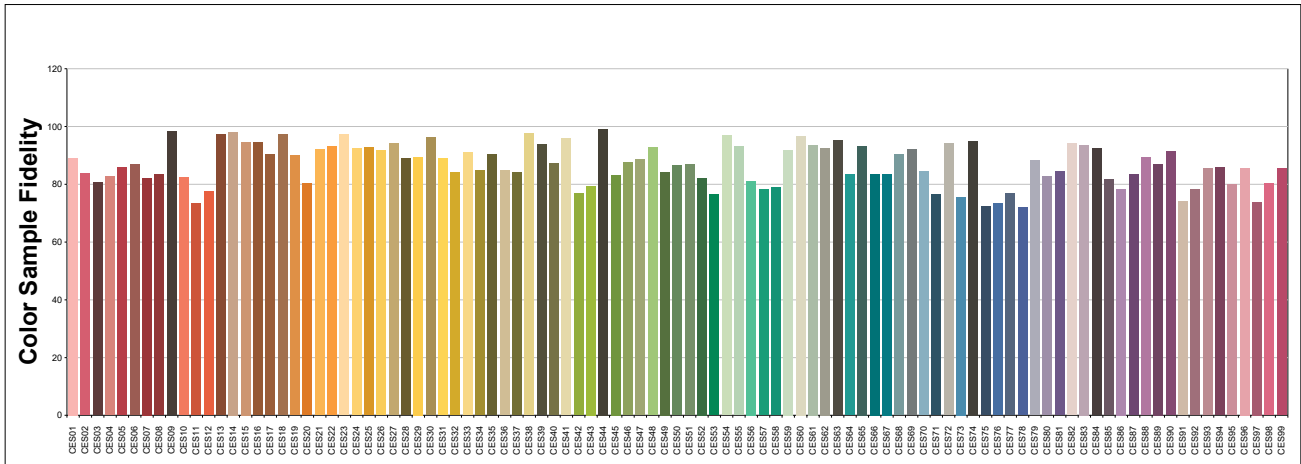
PULSAR PLUS S2

Dual Possibilities. Supreme Brightness.

SPEC SHEET

PHOTOMETRIC REPORT – TM-30

Color Evaluation Sample



PHOTOMETRIC REPORT – TLCI-85

Color Evaluation Sample



Sector	Lightness	Chroma	Hue
R	-3	-2	0
R/Y	0	-1	0
Y	-1	-1	-1
Y/G	-1	-2	-2
G	-2	-3	0
G/C	0	-2	3
C	0	-1	2
C/B	0	-1	0
B	0	-3	-2
B/M	0	-2	-1
M	-1	-2	-1
M/R	-2	-2	-1